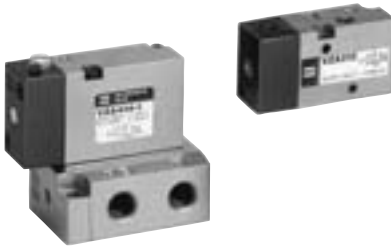


# 3 Port Air Operated Valve

# Series VZA200/400



Fluid	Air	
Operating pressure range (MPa)	VZA2 $\frac{1}{2}$ 2, 2 $\frac{1}{2}$ 4	0.1 to 1.0
	VZA4 $\frac{1}{2}$ 2, 4 $\frac{1}{2}$ 4	0.15 to 1.0
Pilot pressure range (MPa)	VZA2 $\frac{1}{2}$ 2, 2 $\frac{1}{2}$ 4	0.1 to 1.0
	VZA4 $\frac{1}{2}$ 2, 4 $\frac{1}{2}$ 4	0.15 to 1.0
Impact/Vibration resistance (m/s <sup>2</sup> ) Note)	150/50	



Operating pressure ≤ Pilot pressure

Note) Impact resistance: No malfunction from test using drop impact tester, to axis and right angle directions of main valve, each one time when pilot signal ON and OFF. (Value in the initial stage)

Vibration resistance: No malfunction from test with 45 to 2000 Hz one sweep, to axis and right angle direction of main valve, each one time when pilot signal ON and OFF. (Value in the initial stage)

## Model

Valve model	Type of actuation	Pilot	Port size	Flow characteristics <sup>(2)</sup>						Pilot port size	
				1→4/2(P→A/B)			4/2→5/3(A/B→EA/EB)				
				C [dm <sup>3</sup> /(s·bar)]	b	Cv	C [dm <sup>3</sup> /(s·bar)]	b	Cv		
Body ported	VZA212-P-M5	N.C.	Body side	M5 x 0.8	0.60	0.43	0.15	0.52	0.35	0.13	M5 x 0.8
	VZA222-P-M5	N.O.	Body side	M5 x 0.8	0.60	0.43	0.15	0.52	0.35	0.13	M5 x 0.8
Base mounted (With sub-plate)	VZA214-1P-01	N.C.	Sub-plate side	Rc 1/8	1.0	0.30	0.25	0.85	0.35	0.22	M5 x 0.8
	VZA214-2P-01	N.C.	Body side	Rc 1/8	1.0	0.30	0.25	0.85	0.35	0.22	M5 x 0.8
	VZA224-1P-01	N.O.	Sub-plate side	Rc 1/8	0.90	0.25	0.21	0.85	0.35	0.22	M5 x 0.8
	VZA224-2P-01	N.O.	Body side	Rc 1/8	0.90	0.25	0.21	0.85	0.35	0.22	M5 x 0.8
Body ported	VZA412-P-01	N.C.	Body side	Rc 1/8	2.0	0.14	0.49	2.2	0.17	0.53	M5 x 0.8
	VZA422-P-01	N.O.	Body side	Rc 1/8	2.0	0.17	0.49	2.2	0.17	0.53	M5 x 0.8
Base mounted	VZA414-1P-01	N.C.	Sub-plate side	Rc 1/8	2.4	0.19	0.57	2.2	0.11	0.49	M5 x 0.8
	Rc 1/4										
	VZA414-1P-02	N.C.	Body side	Rc 1/8	2.4	0.19	0.57	2.2	0.11	0.49	M5 x 0.8
	Rc 1/4										
	VZA424-1P-01	N.O.	Sub-plate side	Rc 1/8	2.4	0.19	0.57	1.9	0.32	0.45	M5 x 0.8
	Rc 1/4										
	VZA424-1P-02	N.O.	Body side	Rc 1/8	2.4	0.19	0.57	1.9	0.32	0.45	M5 x 0.8
	Rc 1/4										



Note 1) Base mounted style model no. without sub-plate are VZA2 $\frac{1}{2}$ 4- $\frac{1}{2}$ P, VZA4 $\frac{1}{2}$ 4- $\frac{1}{2}$ P.

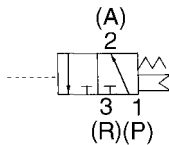
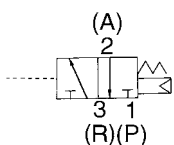
Note 2) Value at the maximum port size

**Cannot be used as universal porting.**

## JIS Symbol

VZA2 $\frac{1}{4}$   
VZA4 $\frac{1}{4}$

VZA22 $\frac{1}{4}$   
VZA42 $\frac{1}{4}$



## Foot Bracket

Air operated valve model no.	VZA2 $\frac{1}{2}$ 2-M5-F
------------------------------	---------------------------

## How to Order Manifold Base

Manifold bases same as those for Series VZ200/VZ400 manifold valves are available.

(VZA200) VV3ZA2- Specify the same manifold number as VV3Z2.

(VZA400) VV3ZA4- Specify the same manifold number as VV3Z4.

\* To order valves and blanking plate assembly mounted onto the manifold, list valves and blanking plate assembly with manifold base part number.

<Example: VZA200 Body ported>

VV3ZA2-20-031..... 1 pc.  
VZA212-P-M5.....2 pcs.  
VVZ200-32A-1.....1 pc.

<Example: VZA200 Base mounted>

VV3ZA2-50-031-01..... 1 pc.  
VZA214-P.....2 pcs.  
VVZ200-31A-1.....1 pc.

<Example: VZA400 Body ported>

VV3ZA4-20-031.....1 pc.  
VZA412-P-01.....2 pcs.  
VVZ400-32A-1.....1 pc.

<Example: VZA400 Base mounted>

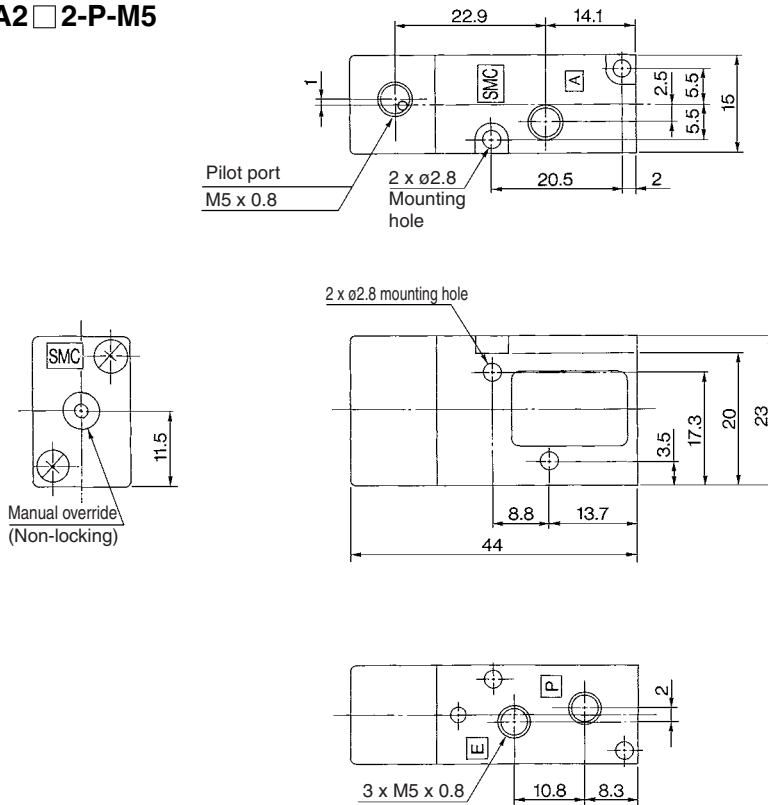
VV3ZA4-50-031-02.....1 pc.  
VZA414-2P.....2 pcs.  
VVZ400-32A-2.....1 pc.

## ⚠ Caution

**Be sure to read before handling.  
Refer to front matters 58 and 59  
for Safety Instructions and  
pages 3 to 7 for 3/4/5 Port  
Solenoid Valve Precautions.**

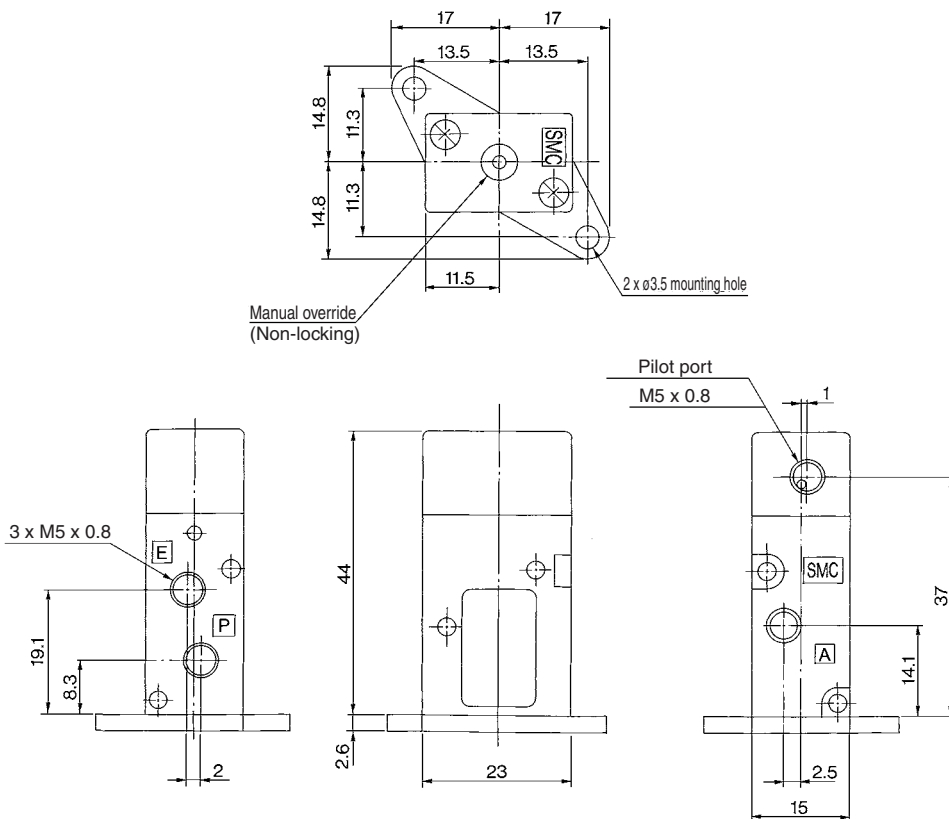
## Dimensions

Body ported : VZA2□2-P-M5



## Foot bracket

Body ported : VZA2□2-P-M5-F



SYA

SYJA

VZA

VFA

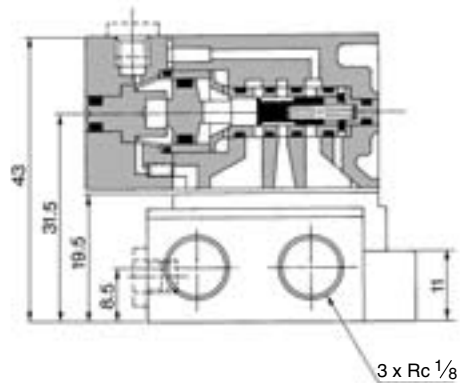
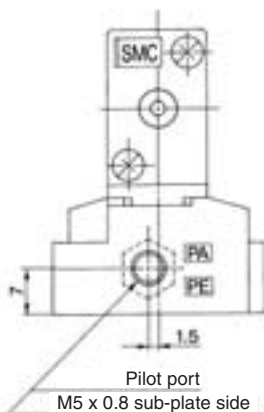
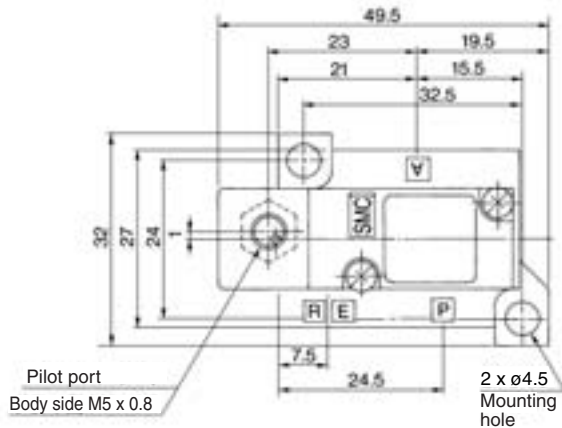
VFRA

V□A

# Series VZA200/400

## Dimensions

Base mounted : VZA2□4-□-01



### International Thread Standards Other than Rc

Rc specifications are standard for all ports, however, NPT, NPTF and G are available for international markets. Add the appropriate symbol following the port size in the standard part number.

#### <How to Order Valve>

VZA412 - P - 01 □  
VZA414 - 1P - 01 □

Thread type

Nil	Rc
N	NPT
T	NPTF
F	G

#### <How to Order Manifold>

VV3ZA2 - 50 - 031 - 01 □

Thread type

Nil	Rc
N	NPT
T	NPTF
F	G

### Sub-plate Assembly Part No.

Model	Part no.
VZA200	VZA200-S-01
VZA400	VZA400-S- <sup>01</sup> / <sub>02</sub>



\* Mounting bolt and gasket are not included.

#### <How to Order Sub-plate>

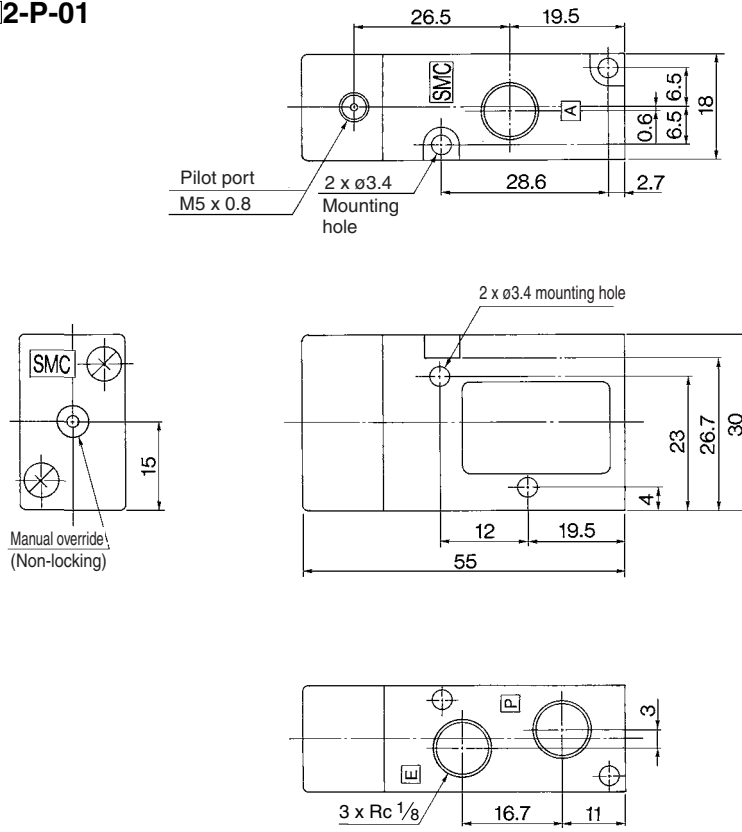
VZA200 - S - 01 □

Thread type

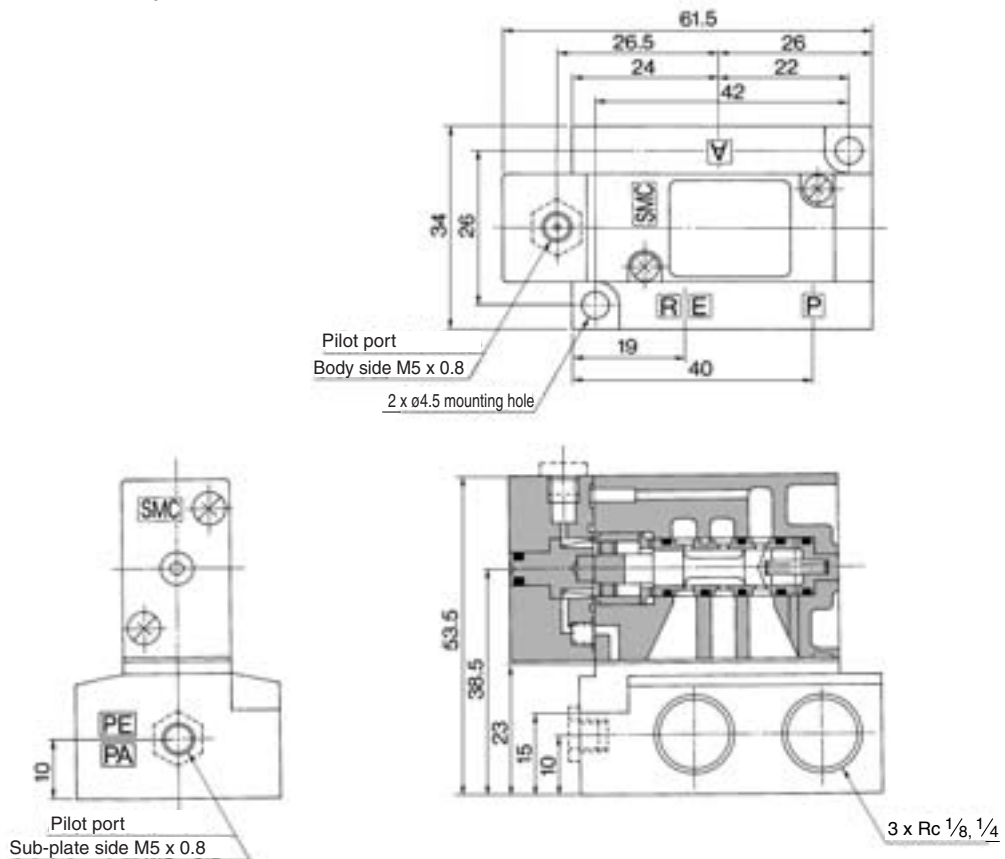
Nil	Rc
N	NPT
T	NPTF
F	G

## Dimensions

Body ported : VZA4□2-P-01



Base mounted : VZA4□4-□-01  
02



- SYA
- SYJA
- VZA**
- VFA
- VFRA
- V□A