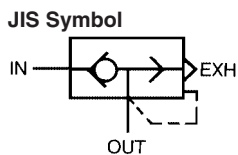


Quick Exhaust Valve Series AQ

Excellent exhaust characteristics
Large flow capacity
Compact and lightweight
A wide selection of models



Model

Model	Port size	Effective area (mm ²)		Weight (g)
		IN → OUT	OUT → EXH	
AQ1500-M5	M5 x 0.8	2	2.8	25
AQ1510-01	1/8	4	5.8	45
AQ2000-01	1/8	25	25	110
AQ2000-02	1/4	35	40	105
AQ3000-02	1/4	40	42	215
AQ3000-03	3/8	60	70	205
AQ5000-04	1/2	105	115	690
AQ5000-06	3/4	135	180	650

Specifications

Fluid	Air	
Proof pressure	1.5 MPa	
Max. operating pressure	AQ15□0	0.7 MPa
	AQ2000 to 5000	1 MPa
Min. operating pressure	AQ15□0	0.1 MPa
	AQ2000 to 5000	0.05 MPa
Ambient and fluid temperature	-5 to 60°C (No freezing)	

How to Order

AQ 2 0 0 0 - 02

Standard size

1	1/8
2	1/4
3	3/8
5	3/4

Type

Symbol	Type	Applicable model
0	Diaphragm	AQ2 to AQ5
5	Lip	AQ1 Only

Standard

0	M5 x 0.8
1	1/8

Note) "AQ15□0" only

Option

H	High temperature (-5 to 80°C)
L	Low temperature (-30 to 60°C)

Note) AQ1500 and AQ1510 are not available.

Port size

Port size	Applicable series
M5	M5 x 0.8 AQ1500
01	1/8 AQ1510/2000
02	1/4 AQ2000/3000
03	3/8 AQ3000
04	1/2 AQ5000
06	3/4 AQ5000

Thread type

Nil	Metric thread (M5)
	Rc
N	NPT
F	G

AS

ASP

ASN

AQ

ASV

AK

ASS

ASR

ASF

⚠ Caution

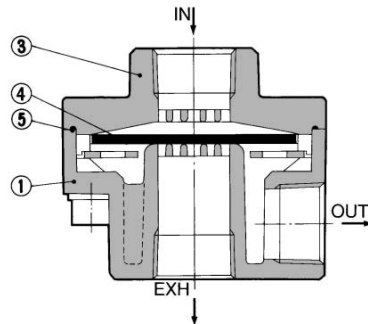
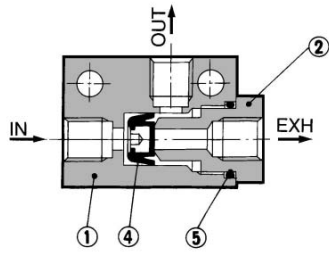
Be sure to read before handling. Refer to pages 15-18-3 to 15-18-4 for Safety Instructions and Common Precautions on the products mentioned in this catalog, and refer to pages 15-8-6 to 15-8-8 for Precautions on every series.

Series AQ

Construction

AQ1500/1510

AQ2000/3000/5000



Component Parts

No.	Description	Material/Model		
		AQ1500	AQ1510	AQ2000/3000/5000
①	Body	Zinc die-casted	Zinc die-casted	Aluminum die-casted
②	Guide	Brass	Brass	—
③	Cover	—	—	Aluminum die-casted

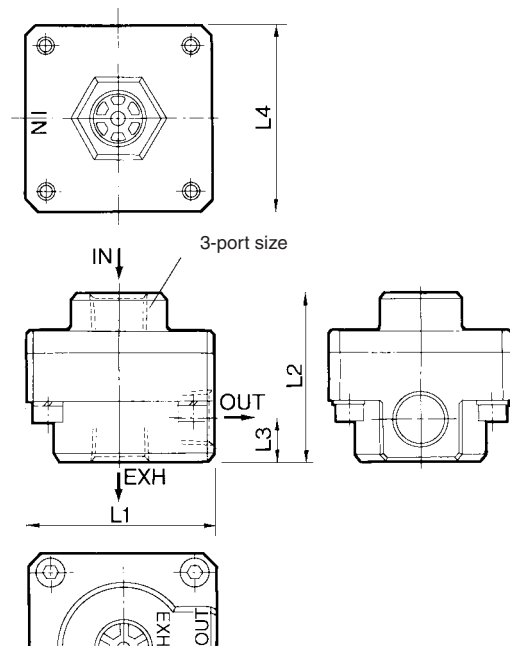
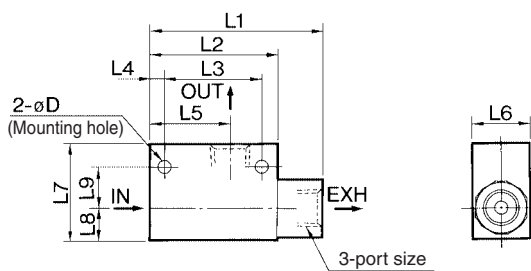
Replacement Parts

No.	Description	Material	Part no.				
			AQ1500	AQ1510	AQ2000	AQ3000	AQ5000
④	Valve	NBR	30083	30093	30073	30053	30063
⑤	O-ring	NBR	9 x 7 x 1	JIS B 2401P-7	CA40-1601	CA50-1602	30066

Dimensions

AQ1500/1510

AQ2000/3000/5000



Model	Port size	L1	L2	L3	L4	L5	L6	L7	L8	L9	D
AQ1500	M5 x 0.8	23	20	14	3	12.5	12	15	5.5	6.5	3.1
AQ1510	1/8	45	33	25	4	21	15	25	8	11	4.3

Model	Port size	L1	L2	L3	L4
AQ2000	1/8, 1/4	45	40	10	45
AQ3000	1/4, 3/8	56	50	12.5	56
AQ5000	1/2, 3/4	85	75	18	85