



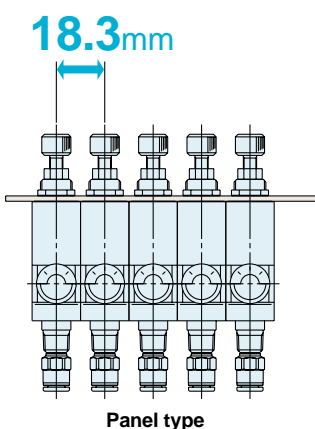
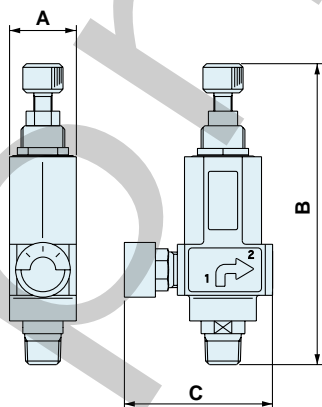
Miniature Regulator Series ARJ310

Improved flow characteristics

Conditions: Upstream pressure 0.7MPa

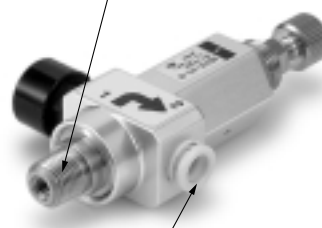
Flow rate /min (ANR)	ARJ310-01 Downstream pressure (MPa)	ARJ210-M5 Downstream pressure (MPa)
0	0.5	0.5
100	0.45	0.4
200	0.4	0.1
300	0.35	-
400	0.3	-
500	0.2	0.1

- Compact and light weight**
- Allows smaller mounting pitch**



- Accommodates two types of threads**

Inside: Female thread (M5 x 0.8)
Outside: Male thread (1/8)



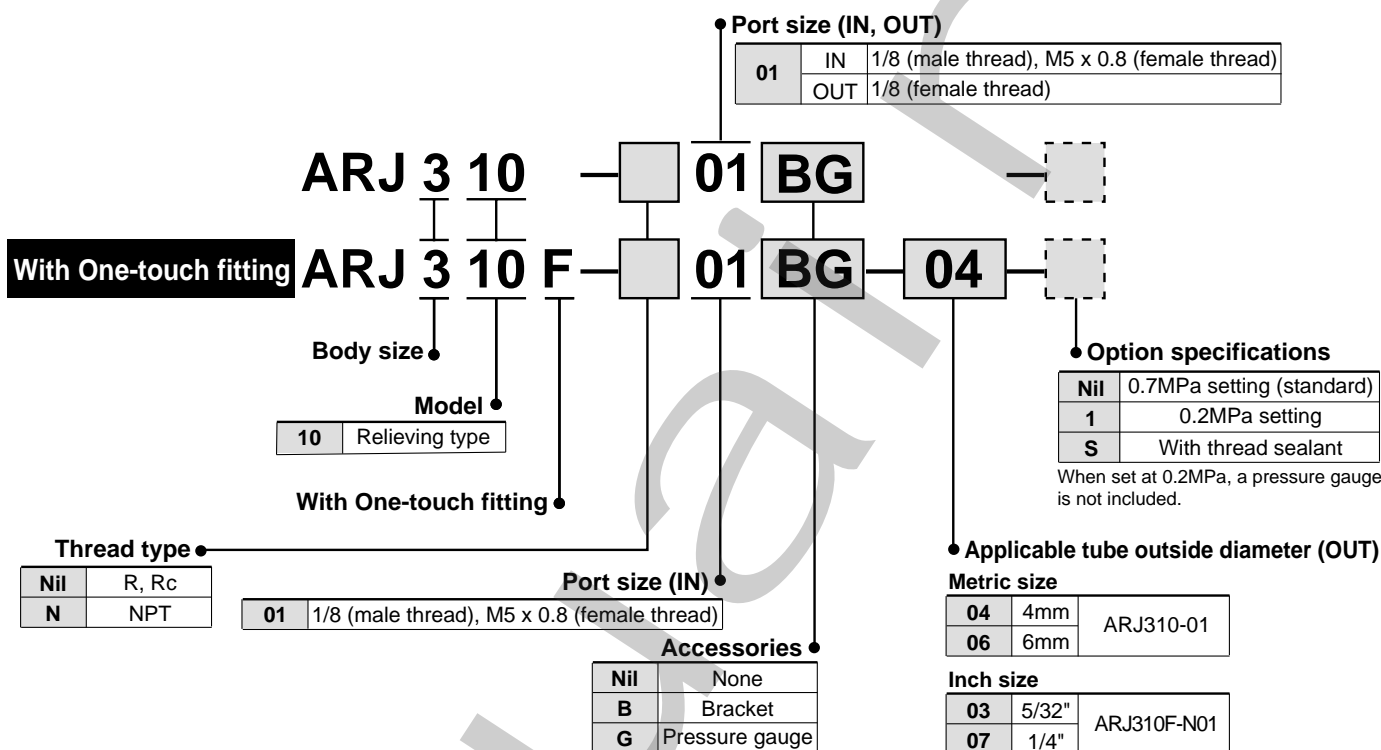
- One-touch fitting feature introduced to series**

ø4, ø6 (metric size)
ø5/32", ø1/4" (inch size)

Model	A (Width)	B (Height)	C (Depth)	Weight
ARJ310-01G	18.3	82.5	Approx. 41	Approx. 70g (Body: 65g)
ARJ210-M5G	18.3	80	Approx. 46	Approx. 75g (Body: 60g)

Miniature Regulator Series ARJ310

How to Order



Model



Model	Port size	
	IN (Note)	OUT
ARJ310-01	R 1/8, M5 x 0.8	Rc 1/8
ARJ310-N01	NPT 1/8, M5 x 0.8	NPT 1/8
ARJ310F-01-04	R 1/8, M5 x 0.8	ø4 One-touch fitting
ARJ310F-01-06		ø6 One-touch fitting
ARJ310F-N01-03	NPT 1/8, M5 x 0.8	ø5/32 One-touch fitting
ARJ310F-N01-07		ø1/4 One-touch fitting

Note) M5 x 0.8 female thread is cut inside the pipe.

Standard Specifications

Pressure gauge port size	Rc 1/8, NPT 1/8 (female thread)
Fluid	Air
Proof pressure	1.2MPa
Maximum operating pressure	0.8MPa
Regulating pressure range	Standard: 0.2 to 0.7MPa, Low pressure use (0.2MPa setting): 0.05 to 0.2MPa
Ambient and operating temperature range	-5 to 60°C (with no freezing)
Weight	Approx. 65g

Optional Accessory Part Numbers

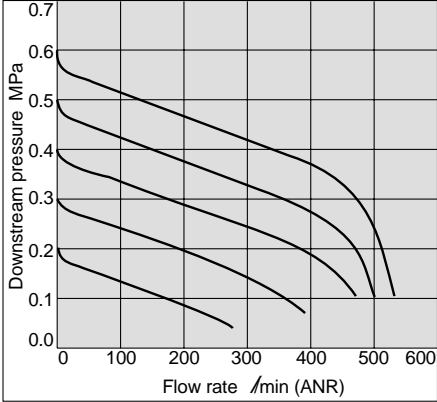
Bracket	134856
Pressure gauge (Note)	G15-10-01 (Rc 1/8)/G15-P10-N01(NPT 1/8)

Note) Pressure gauges for 0.2MPa are not available.

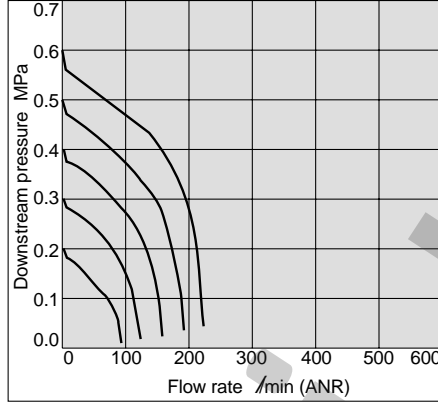
Flow Characteristics

Conditions: Upstream pressure 0.7MPa

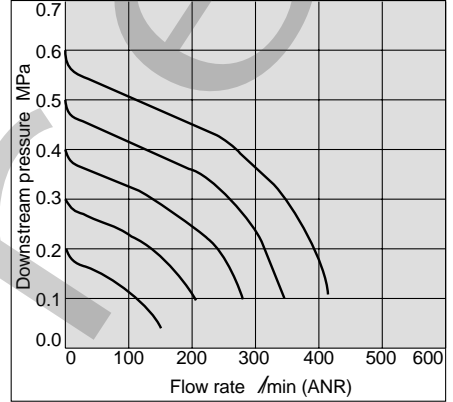
ARJ310-01



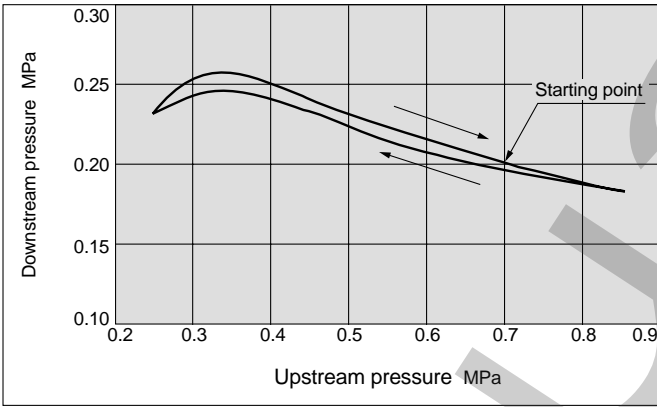
ARJ310F-01-04



ARJ310F-01-06



Pressure Characteristics

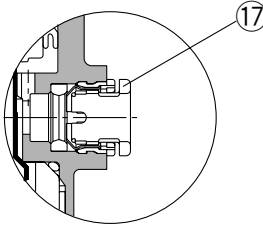
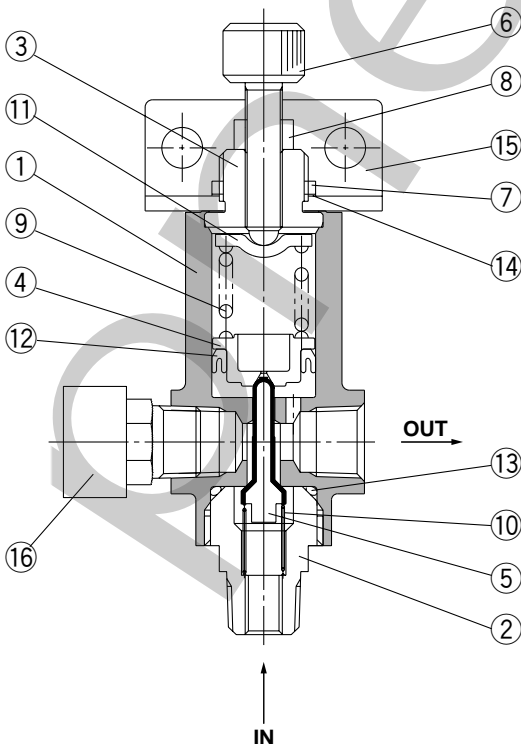


Conditions:
Upstream pressure 0.7MPa
Downstream pressure 0.2MPa
Flow rate Q = 20 /min (ANR)

Construction

ARJ310-01

ARJF310F-01



Parts list

No.	Description	Material	Note
1	Body	Aluminum alloy	
2	Valve guide	Brass	Electroless nickel plated
3	Bonnet	Brass	Electroless nickel plated
4	Piston	POM	
5	Valve	Brass	Rubber lining material: HNBR
6	Adjusting screw	Brass	Electroless nickel plated
7	Panel nut	Brass	Electroless nickel plated
8	Hexagon nut	Brass	Electroless nickel plated
9	Adjusting spring	Steel wire	Zinc chromated
10	Valve spring	Stainless steel	
11	Spring holder	Steel band	Zinc chromated
12	Mini Y seal	NBR	
13	O-ring	NBR	
14	Lock washer	SS	Electroless nickel plated
15	Bracket	Steel band	Black zinc chromated
16	Pressure gauge	-	Accessory
17	Cassette	POM, Stainless steel	

Series ARJ310

Dimensions

ARJ310-01

ARJ310F-01

