

 Contact our sales office for delivery dates and prices as this is a special model.

SP133X-010E
P: RU

 *P.G.Information (Specialized Product)*

Pilot Operated Check Valve ASP-X369 Series, XTO Series

SMC CORPORATION
4-14-1, SOTO-KANDA,
CHIYODA-KU,
TOKYO 101-0021, JAPAN
URL: <http://www.smcworld.com>

■ Intended use: Drop prevention of cylinders and circuit configuration for temporary intermediate or emergency stops

(Note) Precise intermediate stops are not guaranteed.

ASP-X369 Series

- Compact
- With One-touch Fitting
- Wide size variations



<Reference>

VQ1000 (2000)-FPG-*
Double check block

- DIN rail mountable
- With One-touch Fitting

Best Pneumatics (1)

VQ1000-FPG Refer to P.1053.

VQ2000-FPG Refer to P.1059.

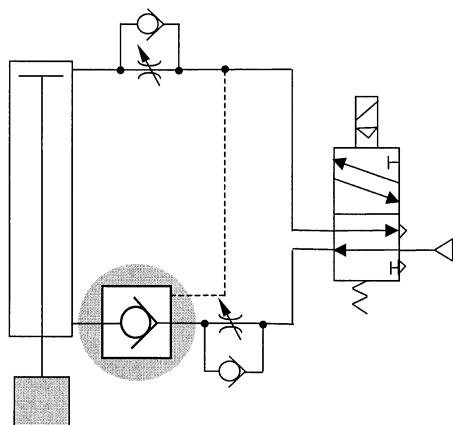
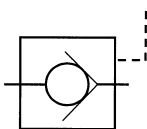
XTO Series

- High flow
- Set screw piping (In-line)

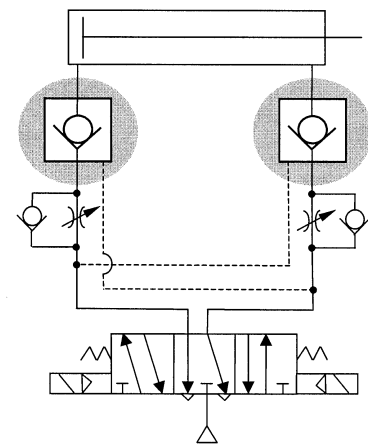


■ Circuit examples

JIS symbol of pilot check valve



Cylinder Drop Prevention



Cylinder Emergency stop

■ Specifications

ASP-X369 Series

Model	ASP330F	ASP430F	ASP530F	ASP630F			
Fluid	Air						
Proof pressure	1.5MPa						
Operating pressure range	0.1 to 1MPa						
Pilot check valve operating pressure	More than 50% the operating pressure						
Ambient and fluid temperature	-5 to 60°C (No freezing)						
Sonic conductance dm ³ / (s · bar) [Effective area mm ²]	0.58 [2.9]	1.04 [5.2]	1.08 [5.4]	1.86 [9.3]	2.32 [11.6]	3.4 [17]	3.68 [18.4]
Port size	φ6 φ1/4"	φ6	φ8 φ1/4" φ5/16" φ3/8"	φ8 φ5/16"	φ10 φ3/8"	φ10	φ12 φ3/8" φ1/2"

XTO Series

Model	XTO-2571	XTO-1239	XTO-1719
Fluid	Air		
Proof pressure	1.5MPa		
Max. operating pressure	1MPa		
Min. operating pressure	0.2MPa	0.1MPa	0.2MPa
Pilot check valve operating pressure	0.2 to 1MPa	0.1 to 1MPa	0.2 to 1MPa
Ambient and fluid temperature	-5 to 60°C (No freezing)		
Effective area mm ²	6	45	145
Port size	Rc1/4 Rc3/8	Rc1/4 Rc3/8 Rc1/2	Rc3/4 Rc1

■How to Order

ASP-X369 Series

ASP330F — 01 — 06S — X369

Body size		Port size		Applicable tubing O.D.		
		Symbol	Cylinder side	Metric size	Inch size	
3	1/8 standard	01	R1/8	06	φ6	
4	1/4 standard	02	R1/4	08	φ8	
5	3/8 standard	03	R3/8	10	φ10	
6	1/2 standard	04	R1/2	12	φ12	
		N01	NPT1/8		07	φ1/4"
		N02	NPT1/4		09	φ5/16"
		N03	NPT3/8		11	φ3/8"
		N04	NPT1/2		13	φ1/2"

Model	Cylinder side Port size	Pilot port	Applicable tubing O.D. φ									
			Metric size				Inch size					
			6	8	10	12	1/4"	5/16"	3/8"	1/2"		
ASP330F	R1/8	M5X0.8	●									
ASP430F	R1/4	Rc1/8	●	●								
ASP530F	R3/8			●	●							
ASP630F	R1/2	Rc1/4			●	●						
ASP330F	NPT1/8	10-32UNF						●				
ASP430F	NPT1/4	NPT1/8						●	●	●		
ASP530F	NPT3/8							●	●			
ASP630F	NPT1/2	NPT1/4								●	●	

XTO Series

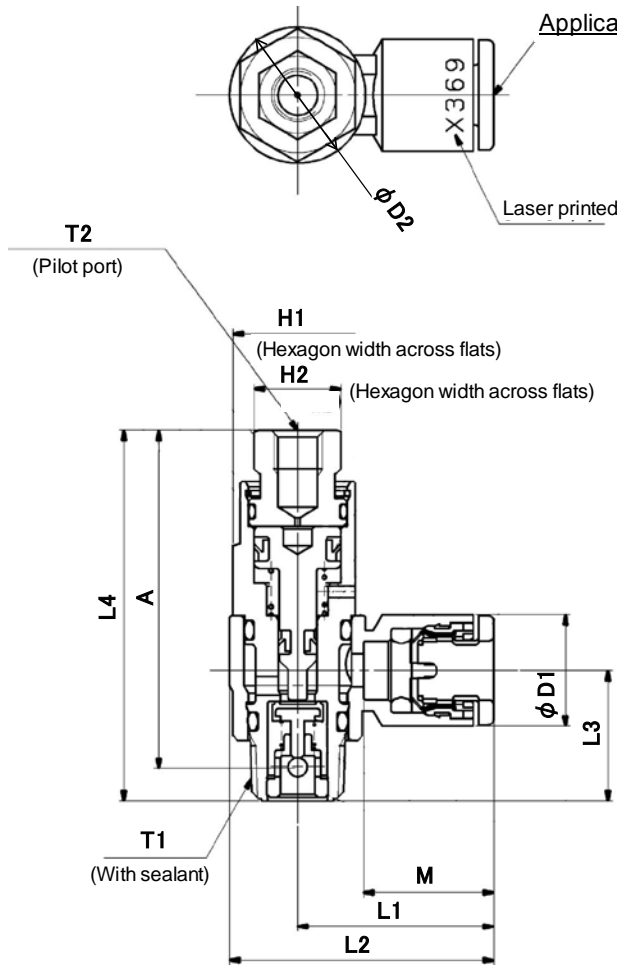
XTO — 2571 — 02

Body size		Port size	
2571	Body O.D.: φ 52	02.	Rc1/4
1239	Body O.D.: φ 84	03	Rc3/8
1719.	Body O.D.: φ 98	04.	Rc1/2
		06	Rc3/4
		10	Rc1

Model	Port size				
	Rc1/4	Rc3/8	Rc1/2	Rc3/4	Rc1
XTO-2571	●	●			
XTO-1239	●	●	●		
XTO-1719				●	●

■ Dimensions: mm

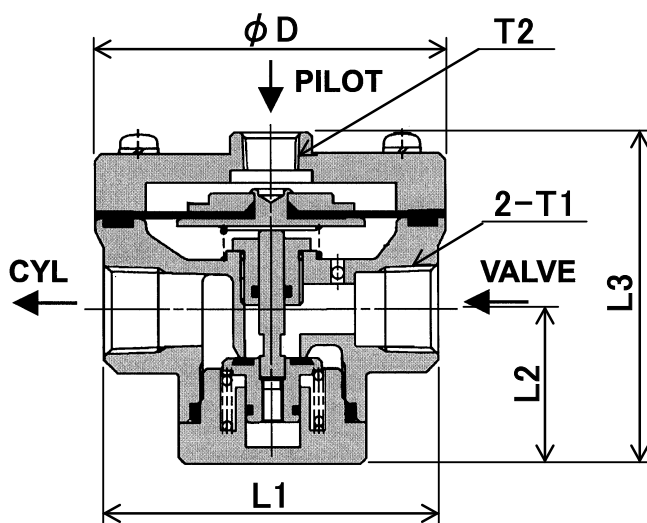
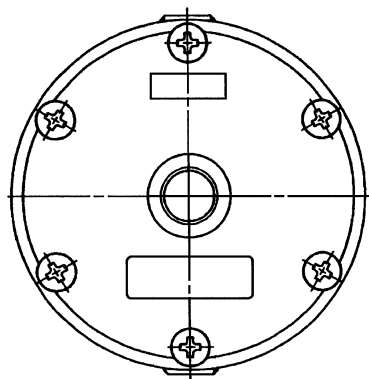
ASP-X369 Series




*Reference dimensions after A thread installation.

Model	d	T1	T2	H1	H2	D1	D2	L1	L2	L3	L4	A*	M
ASP330F-01-06S-X369	6	R1/8	M5X0.8	12	8	11.6	14.2	20.4	27.5	13.6	38.6	35.2	13.5
ASP430F-02-06S-X369		R1/4	Rc1/8	17	12		18.5	25.2	34.4	18.3	48.7	42.4	16.8
ASP430F-02-08S-X369	8	R3/8		19		15.2	23	29.7	41.2	21		56.2	50
ASP530F-03-08S-X369		10	R1/2	Rc1/4	24	17	18.5	33.6	47.9	25.6	70.3	61.8	20.8
ASP530F-03-10S-X369	21.7						35.2	49.5	25	21.8			
ASP630F-04-10S-X369	12	NPT1/8	10-32UNF	12	8	13.2	14.2	23.9	31	13.6	38.6	35.2	16.8
ASP430F-N02-07S-X369								25.2	34.4	18.3	48.7	42.4	16.8
ASP430F-N02-09S-X369	5/16"	NPT1/4	NPT1/8	17.46	12.7	15.2	18.5	27.2	36.4	18.4			56.2
ASP430F-N02-11S-X369	3/8"							35.3	44.5	19	20.8		
ASP530F-N03-09S-X369	5/16"	NPT3/8	NPT1/8	19	12	15.2	23	29.7	41.2	21	56.2	50	18.7
ASP530F-N03-11S-X369								31.6	43.1	20.8			
ASP630F-N04-11S-X369	3/8"	NPT1/2	NPT1/4	24	17	18.5	28.6	33.6	47.9	25.6	70.3	61.8	20.8
ASP630F-N04-13S-X369				23.81				35.2	49.5			63.1	21.8

XTO Series



Model	T1	T2	φD	L1	L2	L3
XTO-2571-02	Rc1/4	Rc1/4	52	52	21	57
XTO-2571-03	Rc3/8					
XTO-1239-02	Rc1/4		84	80	37	79
XTO-1239-03	Rc3/8					
XTO-1239-04	Rc1/2					
XTO-1719-06	Rc3/4		98	98	40	90
XTO-1719-10	Rc1					

 Caution To ensure the safest possible operation of this product, please be sure to thoroughly read the "Safety Instructions" in our "Best Pneumatics" catalog before use.