

Information

End Lock Cylinder Series CBJ2 / ø16



Cylinder stroke (mm)

ø16	15, 30, 45, 60, 75, 100, 125, 150, 175, 200
-----	---

- * Intermediate strokes are available in 1 mm increments without stroke adjustment with a spacer.
- * For types with auto switch, refer to Minimum Strokes for Auto Switch Mounting on page 2.

Mounting

B	Basic
L	Axial foot
F	Front flange
D	Double clevis <small>(Note)</small>

Note) Front end lock only.

Lock position

H	Rear end lock
R	Front end lock

Part No. of Cylinder with Built-in Magnet

Symbol "-A" (rail mounting) or "-B" (band mounting) should be suffixed to the part No. of the cylinder with auto switch.

Ex.	Rail mounting	CDBJ2B16-45-A
	Band mounting	CDBJ2B16-60-B

* In case of the rail mounting type, screws and nuts for two auto switches are attached to the rail.

Standard

CBJ2 L 16-60 H N

With auto switch

CDBJ2 L 16-60 H N J79W

With auto switch
(With built-in magnet)

Manual release

N	Non-locking type
---	------------------

Auto switch

- * Refer to the table below for applicable auto switch.
- * Rail mounting type auto switches are not mounted and are supplied loose at the time of shipment.
- ** For cylinders with built-in magnet and without auto switch, refer to How to Order for cylinders with built-in magnet.

Number of auto switches

-	2
S	1
N	n

Applicable auto switches

Type	Special function	Electrical entry	Indicator	Wiring (Output)	Load voltage		Model			Lead wire* (m)				Pre-wired connector	Applicable load									
					DC	AC	Band	Rail mounting		0.5 (-)	3 (L)	5 (Z)	None (N)		IC	Replay PLC								
						Perp		In-line																
Reed switch	—	Grommet	Yes	3 wire (Equiv. to NPN)	—	5V	—	C76	—	A76H	●	●	—	—	—	IC	—							
											24 V	12V	200 V	C73	A73			A73H	●	●	●	—	—	Replay PLC
																			—	—	C73C	A73C		
Diagnostic indication (2-color)	Grommet	—	—	—	** A79W	—	●	●	—	—	—	—	—	—	—									
Solid state switch	—	Grommet	Yes	3 wire (NPN)	24 V	5 V, 12 V	—	H7A1	F7NV	F79	●	●	○	—	○	IC	Replay PLC							
				3 wire (PNP)				H7A2	F7PV	F7P	●	●	○	—	○									
		Connector	2 wire	H7B	F7BV	J79	●	●	○	—	○	—												
			—	H7C	J79C	—	●	●	●	●	—													
	Diagnostic indication (2-color)	Grommet	Yes	3 wire (NPN)	24 V	5 V, 12 V	—	H7NW	F7NWV	F79W	●	●	○	—	○	IC								
				3 wire (PNP)				H7PW	—	F7PW	●	●	○	—	○									
				Water resistant (2-color)				2 wire	H7BW	F7BWV	J79W	●	●	○	—	○		—						
									H7BA	—	F7BA	—	●	○	—	○								
				Diagnostic output (2-color)				—	—	H7NF	—	F79F	●	●	○	—		○	IC					
										H7LF	—	F7LF	●	●	○	—		○						
Latch type diagnostic output (2-color)	4 wire (NPN)	—	—	—	—	—	—	—	—	—	—	—	—	—										

* Symbols for lead wire length 0.5m...— EX.) C73C 5m...Z EX.) C73CZ * Solid state switches marked with "O" are manufactured upon receipt of order.
3m...L C73CL —...N C73CN ** Model D-A79W cannot be mounted on a ø10 cylinder with air cushion.

• In addition to the models in the above table, there are some other auto switches that are applicable. For more information, refer to page 2.

Series CBJ2

Series CJ2 air cylinder is equipped with end lock function.

Maintains the cylinder's original position even if the air supply interrupted.

When air is discharged at the stroke end position, the lock engages to maintain the rod in that position.



Specifications

Action	Double acting single rod
Fluid	Air
Proof pressure	1.05 MPa
Maximum operating pressure	0.7 MPa
Minimum operating pressure	0.06 MPa
Ambient and fluid temperature	Without auto switch: -10°C to 70°C With auto switch: -10°C to 60°C*
Cushion	Rubber bumper
Lubrication	Not required (Non-lube)
Thread tolerance	JIS Class 2
Stroke tolerance	+1.0 0
Piston speed	50 to 750mm/s
Allowable kinetic energy	0.090 J

* With no freezing

Lock specifications

Lock position	Rear end, Front end
Holding force (Max.)	98N
Lock release pressure	0.15 MPa or less
Backlash	1 mm or less
Manual release	Non-locking type

Standard stroke

Bore size	Standard stroke (mm)
16	15, 30, 45, 60, 75, 100, 125, 150, 175, 200

* Intermediate strokes are available in 1 mm increments without stroke adjustment with a spacer.

Minimum strokes for auto switch mounting

Mounting	Auto switch model	Number of switches	Min. stroke (mm)
Band mounting (ø16)	D-C7□ D-C80	3 (same surface)	90
		3 (different surfaces)	55
		2 (same surface)	50
		2 (different surfaces)	15
		1	10
	D-H7□ D-H7□W D-H7BAL D-H7NF	3 (same surface)	105
		3 (different surfaces)	60
		2 (same surface)	60
		2 (different surfaces)	15
		1	10
	D-C73C D-C80C D-H7C	3 (same surface)	105
		3 (different surfaces)	65
		2 (same surface)	65
		2 (different surfaces)	15
		1	10
	D-H7LF	3 (same surface)	115
		3 (different surfaces)	75
		2 (same surface)	65
2 (different surfaces)		25	
1		15	
Rail mounting (ø16)	D-A7□ D-A80 D-A73C D-A80C	3	35
		2	10
		1	5
		3	45
		2	10
	D-A7□H D-A80H	2	10
		1	5
	D-A79W	3	40
		2	15
		1	10
	D-F7□ D-J79	3	45
		2	5
	D-F7□V D-J79C	1	5
		3	30
	D-F7□W D-J79W D-F7BAL D-F79F	2	5
		1	5
		3	55
		2	15
1		10	
D-F7□WV D-F7BAVL	3	40	
	2	15	
	1	10	
D-F7LF	3	60	
	2	15	
		1	15

In addition to the models in the above table, the following auto switches are also applicable.

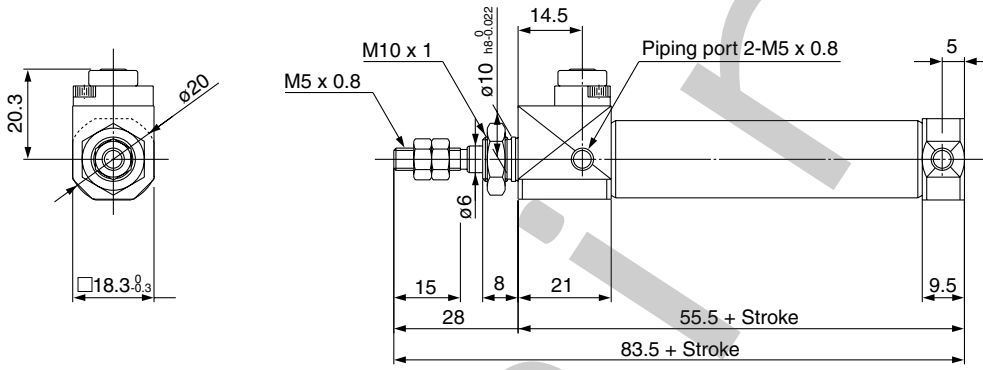
Type	Model	Electrical entry	Feature
Reed switch	D-A80	Grommet	Without indicator light
	D-A80H		
	D-A80C	Connector	
	D-C80	Grommet	
	D-C80C	Connector	
Solid state switch	D-F7NTL	Grommet	With timer

* D-F7NTL is also available with pre-wired connector.

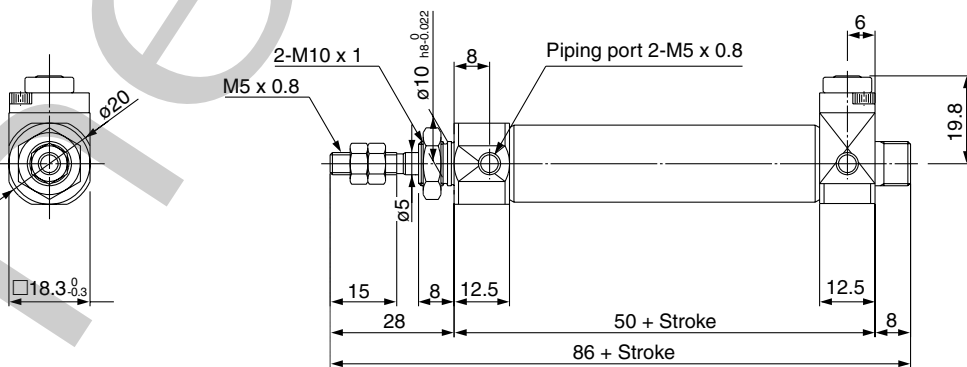
Dimensions

Basic

With front end lock / C□BJ2B16-□-RN



With rear end lock / C□BJ2B16-□-HN

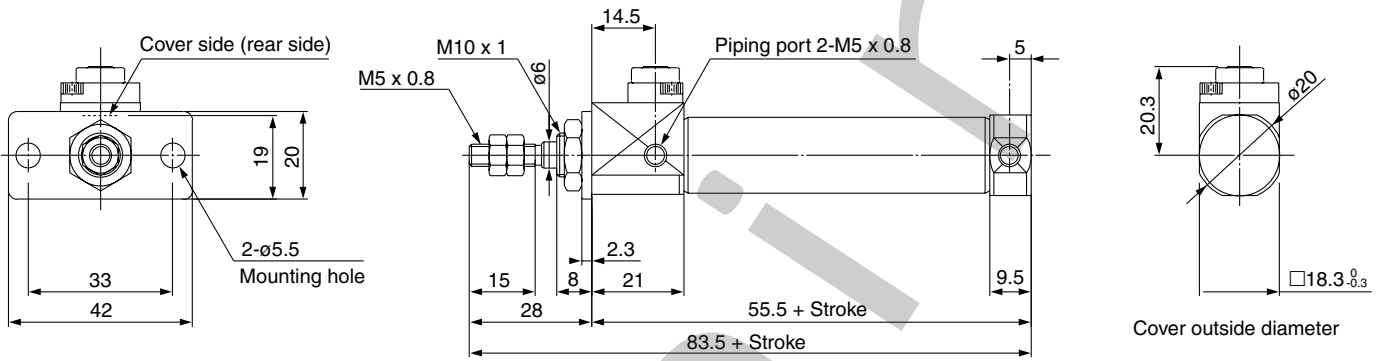


Series CBJ2

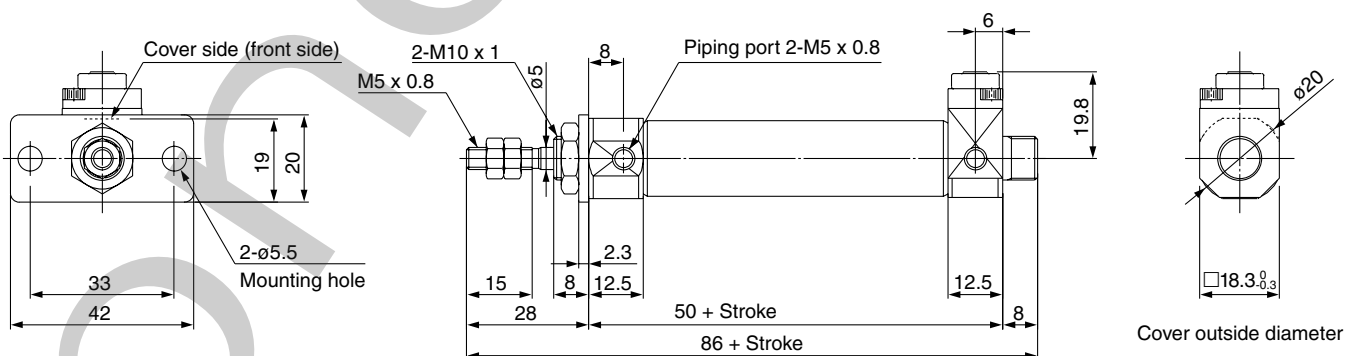
Dimensions

Flange

With front end lock / C□BJ2F16-□-RN

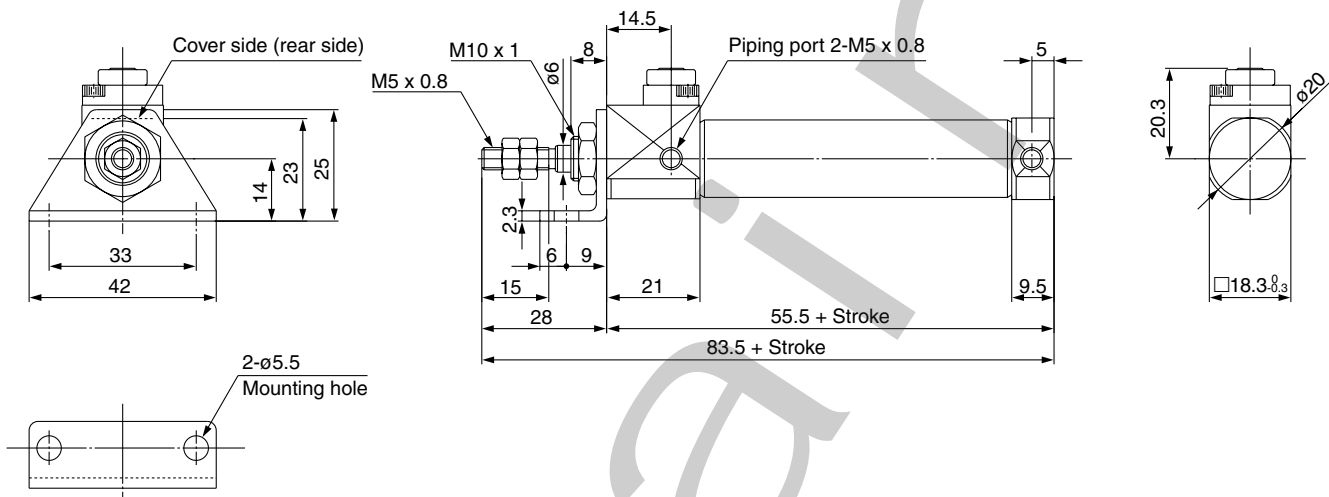


With rear end lock / C□BJ2F16-□-HN

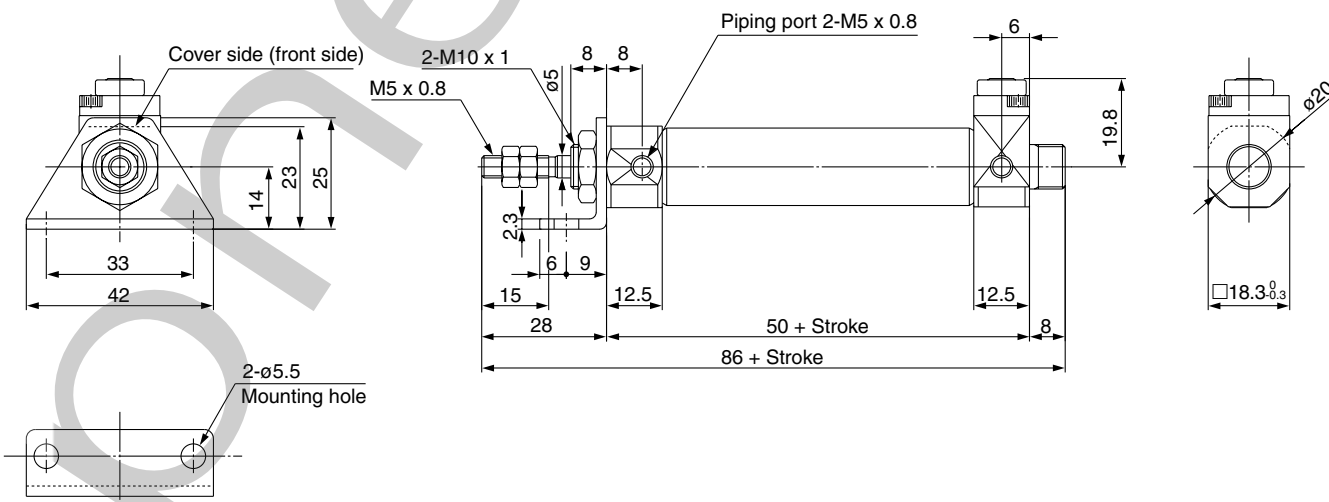


Axial foot

With front end lock / C□BJ2L16-□-RN



With rear end lock / C□BJ2L16-□-HN



Series CBJ2

Dimensions

Double clevis

With front end lock / C□BJ2D16-□-RN

