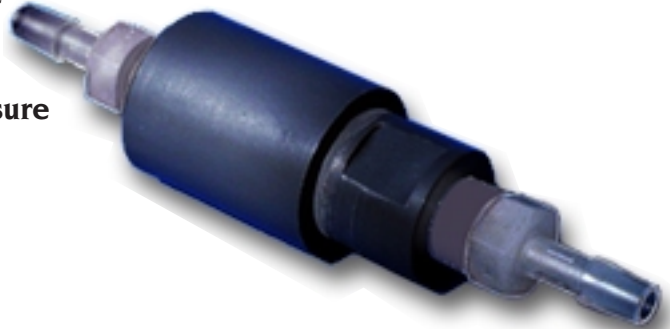


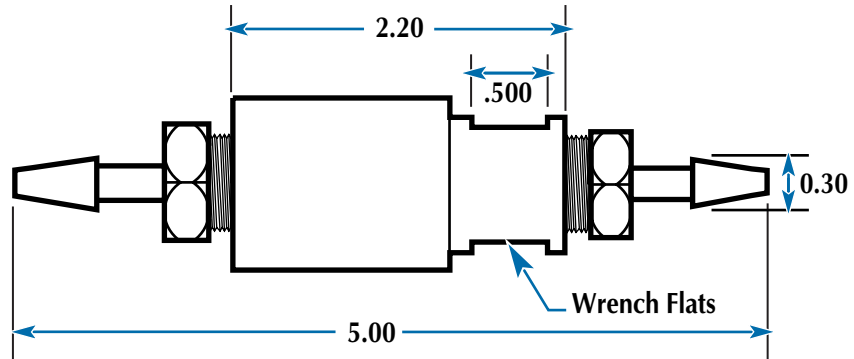
# BI-DIRECTIONAL CHECK VALVES

The BDC Series Bi-Directional Check Valve permits a differential flow in both directions. The free flow direction permits flow in excess of 1,000 liters a minute. The controlled flow direction with a pressure differential of 5 PSIG or more has a flow less than 1 liter a minute. An umbrella shaped performance flow disc allows for bi-directional flow to equalize as the pressure bias across the umbrella stabilizes.

**Max Pressure:** 100 PSIG  
**Media:** Air and Liquid  
**Max Flow:** 1,000 LPM @ 80 PSIG  
**Min. Flow:** 1 LPM @ 80 PSIG  
**Threads:** 1/4" NPT (*others available upon request*)  
**Construction:** 100% PVC



Part Number	Price
BDC-250	\$17.95



**POWER AIR®**