

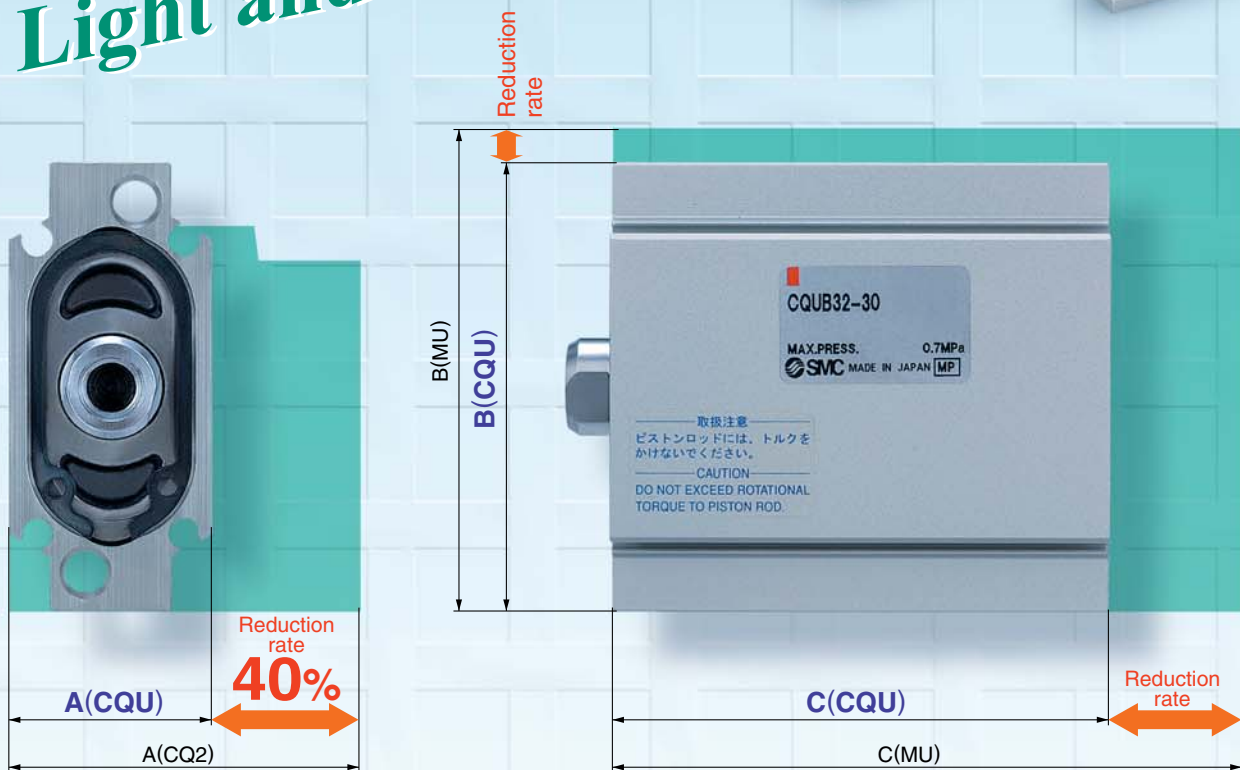
Compact Cylinder

Plate type size: 20, 25, 32, 40

- Width: Reduced by up to **40%**
(compared with SMC CQ2 series)
- Total length: Reduced by up to **15%**
- Volume: Reduced by up to **18%**
- Mass: Reduced by up to **36%**
(compared with SMC MU series with 30 stroke)



Light and compact!



● A Dimension Comparison

Size	A (mm)		
	CQU	CQ2	Reduction rate
20	22	36	39%
25	24	40	40%
32	28	45	38%
40	32	52	38%

● B/C Dimensions Comparison

Size	B (mm)			C (mm)		
	CQU	MU	Reduction rate	CQU	MU	Reduction rate
20	47	—	—	72.5	—	—
25	53	54	2%	72.5	85	15%
32	62	68	9%	79.5	88	10%
40	80	86	7%	79.5	90	12%

● Mass Comparison

Size	Mass (g)		
	CQU	MU	Reduction rate
20	153	—	—
25	180	252	29%
32	272	376	28%
40	351	552	36%

* Compared with 30 stroke.

* Compared with 30 stroke.

Series **CQU**

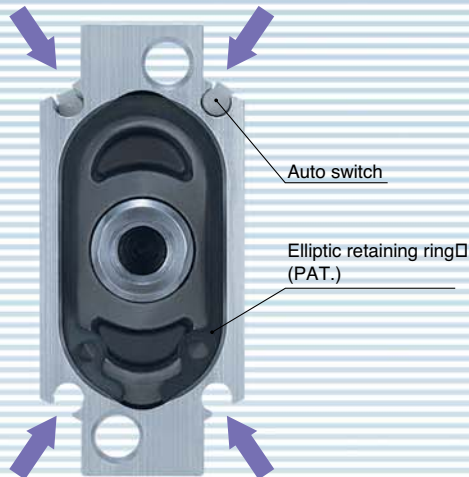


CAT.ES20-198A

● Easy maintenance

Seals can be replaced easily just by removing □ the retaining rings.

- **A small type of auto switch can be mounted from 4 directions.**
No protrusion of auto switch from the mounting slot

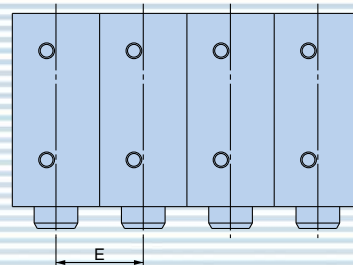


- **Auto switch can be mounted without removing a support bracket.**



Allows smaller mounting pitch.

* Without auto switch



(mm)	
Size	E□
20	22□
25	24□
32	28□
40	32

Note 1) Cylinder tube width tolerance: ± 0.2 □

Note 2) Minimum mounting pitch of auto switch is specified. Refer to back page 3.

Mounting

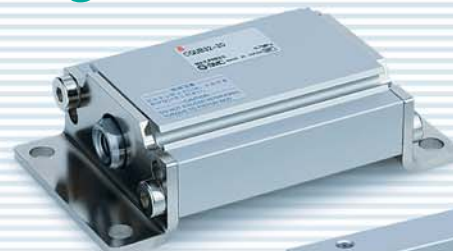
Through-hole/Both ends tapped common



Through-hole/Both ends tapped common (Standard)



Vertical foot



Lateral foot



Double clevis

Variations

Model	Size	Stroke												Cushion□ □ Rubber□ bumper	Mounting Through-hole/Both ends□ tapped common (Standard)□ Vertical foot□ Lateral foot□ Double clevis	Rod end Male□ thread□ Female□ thread		
		5	10	15□	20□	25□	30	35□	40□	45□	50□	75□	100□					
CQU	20	●	●	□	□	□	●	□	□	□	□	□	□	□	□	□	□	□
	25	●	●	●	●	●	●	●	●	●	●	—	—	—	—	—		
	32	●	●	●	●	●	●	●	●	●	●	●	●	●	●	●		
	40	●	●	●	●	●	●	●	●	●	●	●	●	●	●	●		

Compact Cylinder: Plate Type Double Acting, Single Rod

Series **CQU**

Size: 20, 25, 32, 40

How to Order

CQU B 20 - 30 - M9BW

Mounting

B	Through-hole/Both ends tapped common (Standard)
L	Vertical foot
M	Lateral foot
D	Double clevis

* Support brackets are shipped together, (but not assembled).
* Cylinder mounting bolt is not included.
Order it separately from "Mounting Bolt for CQU" on page 3.

Number of auto switches

Nil	2 pcs.
S	1 pc.
n	"n" pcs.

Auto switch

Nil	Without auto switch (Built-in magnet)
------------	---------------------------------------

* For applicable auto switch models, refer to the table below.

Size

20	Piston area equivalent to 20 mm
25	Piston area equivalent to 25 mm
32	Piston area equivalent to 32 mm
40	Piston area equivalent to 40 mm

Rod end thread

Nil	Rod end female thread
M	Rod end male thread

Cylinder stroke (mm)

Size	Stroke
20, 25	5, 10, 15, 20, 25, 30, 35, 40, 45, 50
32, 40	5, 10, 15, 20, 25, 30, 35, 40, 45, 50, 75, 100

Applicable Auto Switches/Refer to pages 13 through to 16 for further information on auto switches.

Type	Special function	Electrical entry	Indicator light	Wiring (Output)	Load voltage		Auto switch model		Lead wire length (m)				Pre-wired connector	Applicable load		
					DC	AC	Perpendicular	In-line	0.5 (Nil)	1 (M)	3 (L)	5 (Z)				
Solid state switch	—	Grommet	Yes	3-wire (NPN)	24 V	5 V, 12 V	—	M9NV**	M9N**	●	●	●	○	○	IC circuit	Relay, PLC
				3-wire (PNP)				M9PV**	M9P**	●	●	●	○			
				2-wire				M9BV**	M9B**	●	●	●	○			
				3-wire (NPN)				M9NWV	M9NW	●	●	●	○			
	Diagnostic indication (2-color indication)			3-wire (PNP)	5 V, 12 V	M9PWW	M9PW	●	●	●	○	○	IC circuit			
				2-wire		M9BWW	M9BW	●	●	●	○					
				3-wire (NPN)		M9NAV***	M9NA***	○	○	●	○			○	IC circuit	
				3-wire (PNP)		M9PAV***	M9PA***	○	○	●	○					
Water resistant (2-color indication)	2-wire	12 V	M9BAV***	M9BA***	○	○	●	○	○	○	○	○	—			
	—	Grommet	Yes	3-wire (NPN equivalent)	—	5 V	—	A96V	A96	●	—	●	—	—	IC circuit	—
Reed switch	2-wire			24 V	12 V	100 V	A93V	A93	●	—	●	—	—	—	—	Relay, PLC
	No			100 V or less	A90V	A90	●	—	●	—	—	—	—	—	IC circuit	Relay, PLC

* Lead wire length symbols: 0.5 m Nil (Example) M9NW
1 m M (Example) M9NWM
3 m L (Example) M9NWL
5 m Z (Example) M9NWZ

* Solid state switches marked with "○" are produced upon receipt of order.

* For details about the auto switch with pre-wired connector, refer to Best Pneumatics.
* Auto switches are shipped together, (but not assembled).

** The D-M9□M and M9□VM type (lead wire length: 1 m) will be available with products delivered from August 2008 onwards.

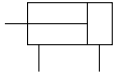
*** The water resistant improved D-M9□A and M9□AV type can be mounted, but cylinders are not designed to be water resistant improved construction.

Note) The D-M9□V, M9□WV, M9□AV, and A9□V type cannot be mounted on the port surface depending on the cylinder's stroke and the fitting size for piping. Please confirm SMC separately.

Series CQU



JIS Symbol

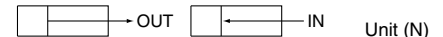


Specifications

Equivalent bore size (mm)	20	25	32	40
Action	Double acting, Single rod			
Fluid	Air			
Proof pressure	1.0 MPa			
Maximum operating pressure	0.7 MPa			
Minimum operating pressure	0.08 MPa	0.05 MPa		
Ambient and fluid temperature	Without auto switch: -10 to 70°C (No freezing)			
	With auto switch: -10 to 60°C (No freezing)			
Cushion	Rubber bumper			
Rod end thread	Female thread, Male thread			
Stroke length tolerance	$^{+1.4}_0$			
Mounting	Through-hole/Both ends tapped common			
Piston speed	50 to 500 mm/s			

* The stroke length tolerance does not include the changed amount of the rubber bumper due to compression.

Theoretical Output



Size	Rod size (mm)	Operating direction	Piston area (mm ²)	Operating pressure (MPa)		
				0.3	0.5	0.7
20	10	IN	236	71	118	165
		OUT	314	94	157	220
25	10	IN	412	124	206	288
		OUT	491	147	246	344
32	14	IN	650	195	325	455
		OUT	804	241	402	563
40	14	IN	1103	331	552	772
		OUT	1256	377	628	879

Standard Stroke

Unit (mm)

Size	Standard stroke
20, 25	5, 10, 15, 20, 25, 30, 35, 40, 45, 50
32, 40	5, 10, 15, 20, 25, 30, 35, 40, 45, 50, 75, 100

* Other intermediate strokes can be manufactured upon receipt of order. Please contact SMC.

Support Bracket Part No.

Size	Vertical foot ^{Note 1)}		Lateral foot		Double clevis
	Rod end	Head end	Rod end	Head end	
20	CQU-LR20	CQU-LH20	CQU-MR20	CQU-MH20	CQU-D20
25	CQU-L25		CQU-M25		CQU-D25
32	CQU-L32		CQU-M32		CQU-D32
40	CQU-L40		CQU-M40		CQU-D40

Note 1) When ordering a foot bracket of size 20, check which end, rod end or head end, it will be on. For other sizes, the part number is common to both ends.

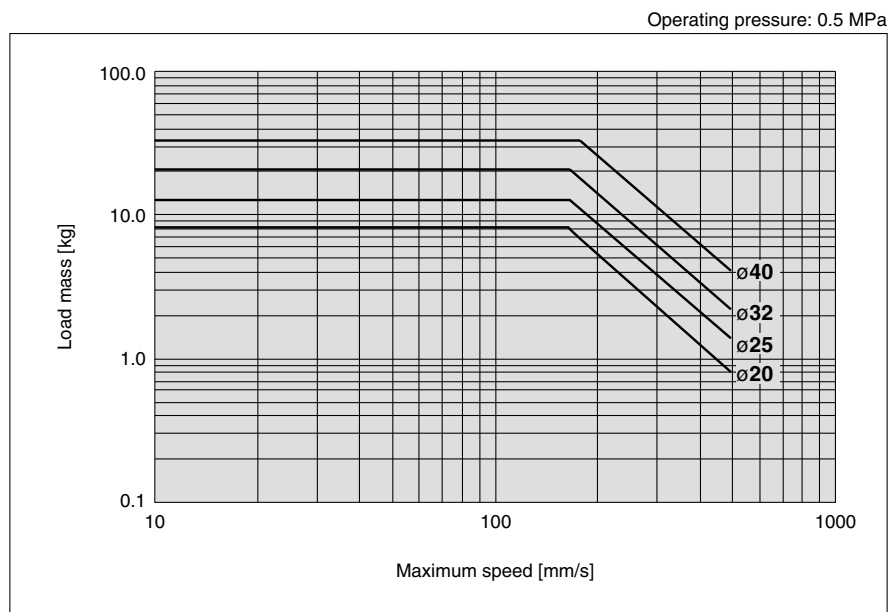
Note 2) Parts belonging to each bracket are as follows.

Vertical foot, Lateral foot: Body mounting bolt

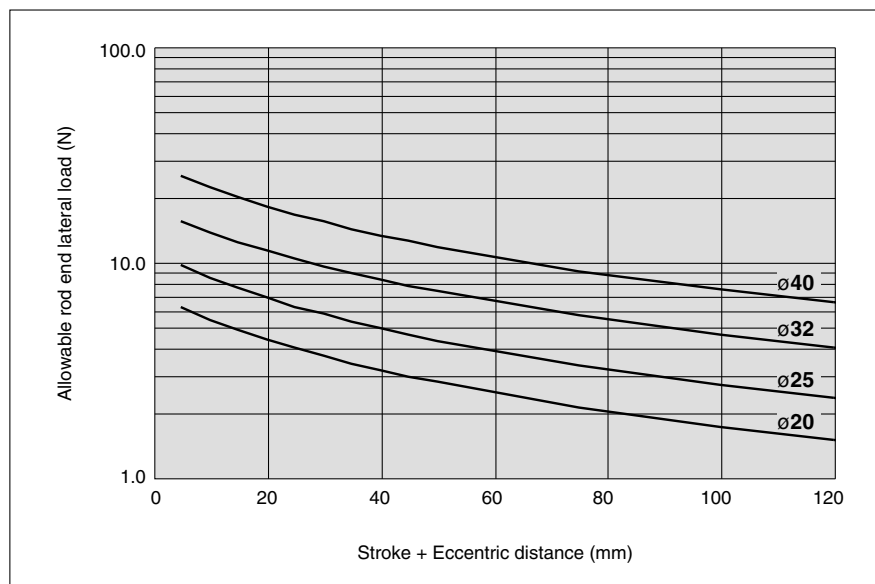
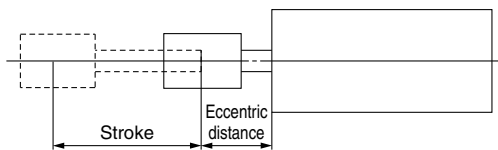
Double clevis: Clevis pin, C-type retaining ring for shaft, Body mounting bolt

Series CQU

Allowable Kinetic Energy

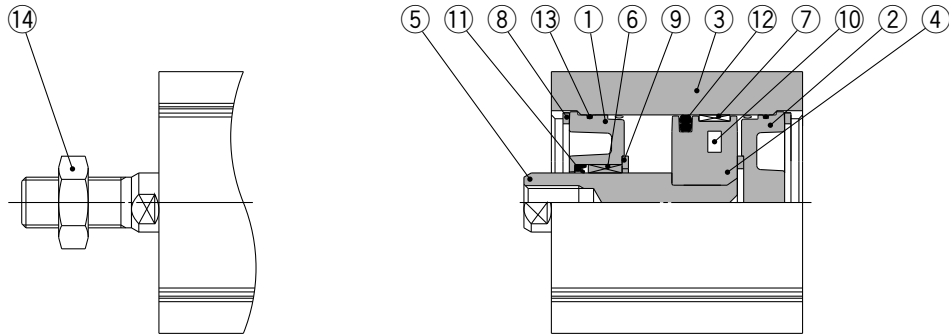


Allowable Rod End Lateral Load



Allowable rod end lateral load can be found from the above graph. Do not apply a load beyond the line on the graph.

Construction



Rod end male thread

Component Parts

No.	Description	Material	Note
1	Rod cover	Aluminum die-casted	Chromated
2	Head cover	Aluminum die-casted	Chromated
3	Cylinder tube	Aluminum alloy	Hard anodized
4	Piston	Aluminum die-casted	Chromated
5	Piston rod	Carbon steel	Hard chrome plated
6	Bushing	Oil-impregnated sintered alloy	
7	Wear ring	Fluoropolymer	
8*	N-type retaining ring	Carbon tool steel	Phosphate coated
9	Bumper	Urethane	
10	Magnet	—	
11*	Rod seal	NBR	
12*	Piston seal	NBR	
13*	O-ring	NBR	Nickel plated
14	Rod end nut	Carbon steel	

Replacement Parts: Seal Kit

Size	Kit no.	Contents
20	CQUB20-PS	Set of component parts ⑧, ⑪, ⑫, ⑬
25	CQUB25-PS	
32	CQUB32-PS	
40	CQUB40-PS	

* Seal kit includes ⑧, ⑪, ⑫, ⑬. Order the seal kit, based on each size.

* Seal kit does not include a grease package. Order it separately.

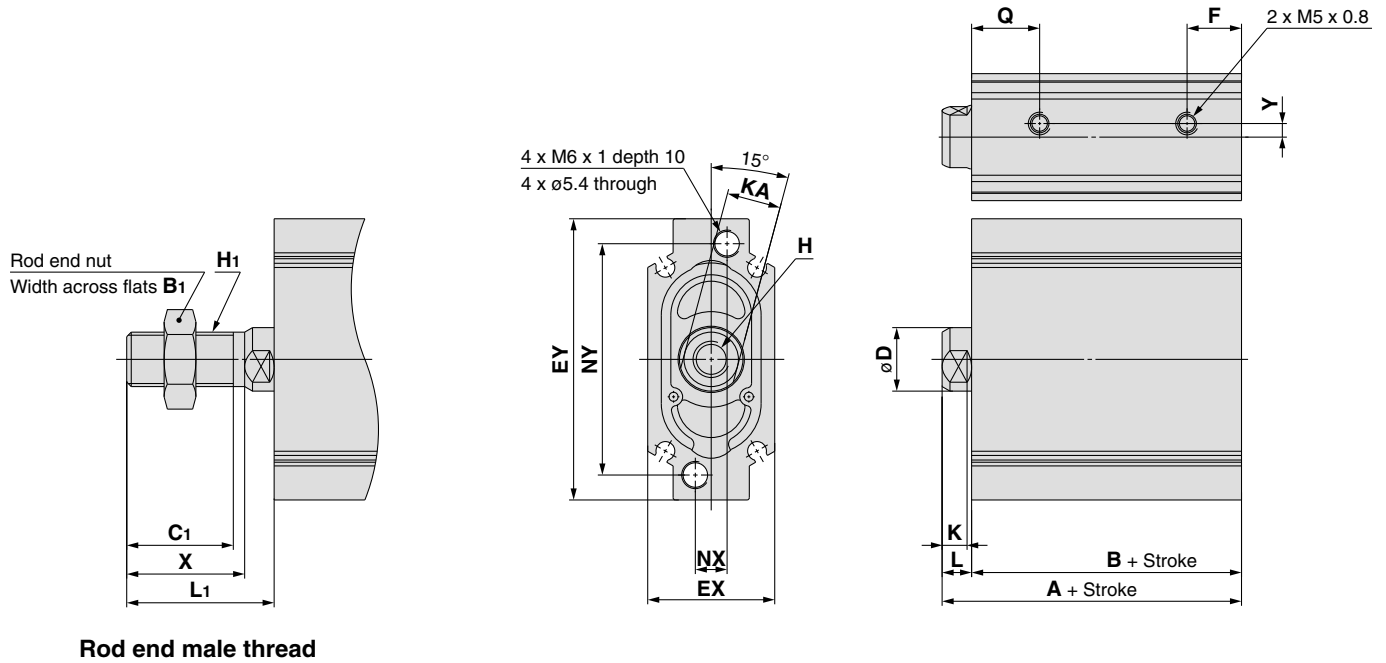
* Grease package part number: GR-S-010 (10 g)

Series CQU

Dimensions

* For auto switch mounting position and its mounting height, refer to page 9.

Basic (Through-hole/Both ends tapped common): CQUB



Rod end male thread

Basic

Size	Stroke range (mm)	A	B	D	EX	EY	F	H	K	KA	L	NX	NY	Q	Y
20	5 to 50	49	42.5	10	22	47	11.5	M5 x 0.8 depth 8	5	8	6.5	5.5	36	15	3
25	5 to 50	49	42.5	10	24	53	11	M5 x 0.8 depth 8	5	8	6.5	5	41	14.5	4
32	5 to 100	56	49.5	14	28	62	12	M8 x 1.25 depth 13	6	12	6.5	7	51	15	3
40	5 to 100	56	49.5	14	31	80	12	M8 x 1.25 depth 13	6	12	6.5	7	69	15	3

Rod End Male Thread

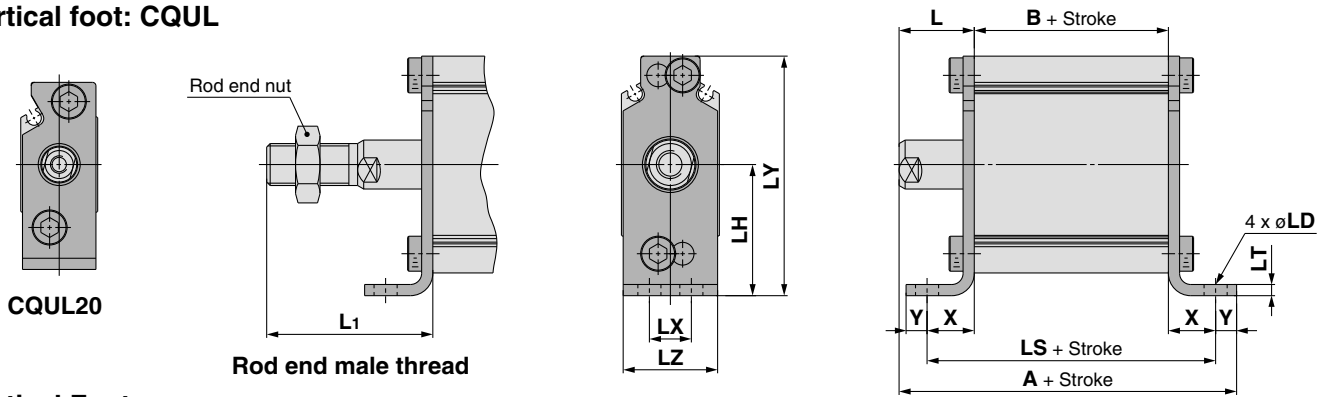
(mm)

Size	X	C ₁	B ₁	L ₁	H ₁
20	18	15.5	13	24.5	M8 x 1.25
25	18	15.5	13	24.5	M8 x 1.25
32	26	23.5	19	32.5	M12 x 1.25
40	26	23.5	19	32.5	M12 x 1.25

* For details about the rod end nut, refer to page 8.

Dimensions

Vertical foot: CQUL

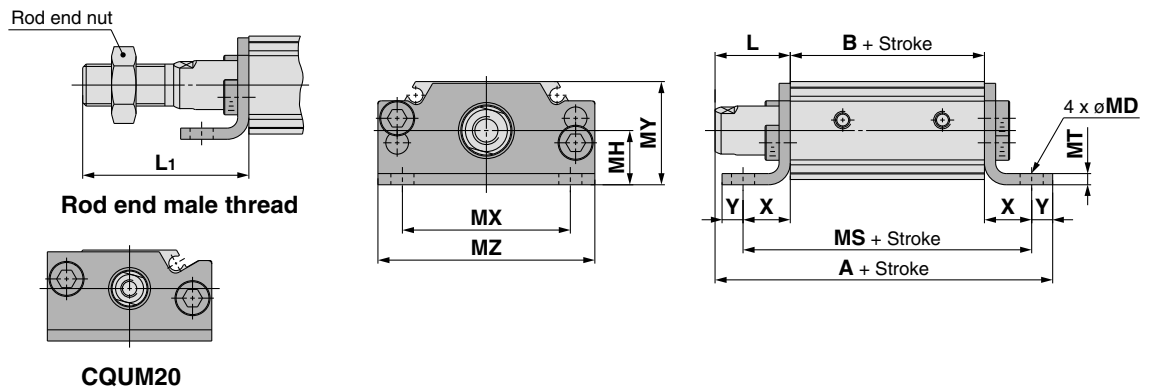


Vertical Foot

Size	Stroke range	A	B	L	L ₁	LD	LH	LS	LT	LX	LY	LZ	X	Y
20	5 to 50	82.5	42.5	21.5	39.5	6	30	67.5	3.2	11	53.5	21	12.5	6
25	5 to 50	82.5	42.5	21.5	39.5	6	32.5	67.5	3.2	11	59	23	12.5	6
32	5 to 100	90.5	49.5	21.5	47.5	7	37.5	76.5	3.2	12	68.5	27	13.5	6
40	5 to 100	99	49.5	26.5	52.5	9	46.5	79.5	3.2	15	86.5	30	15	8

Vertical foot bracket material: Carbon steel
Surface treatment: Nickel plated

Lateral foot: CQUM

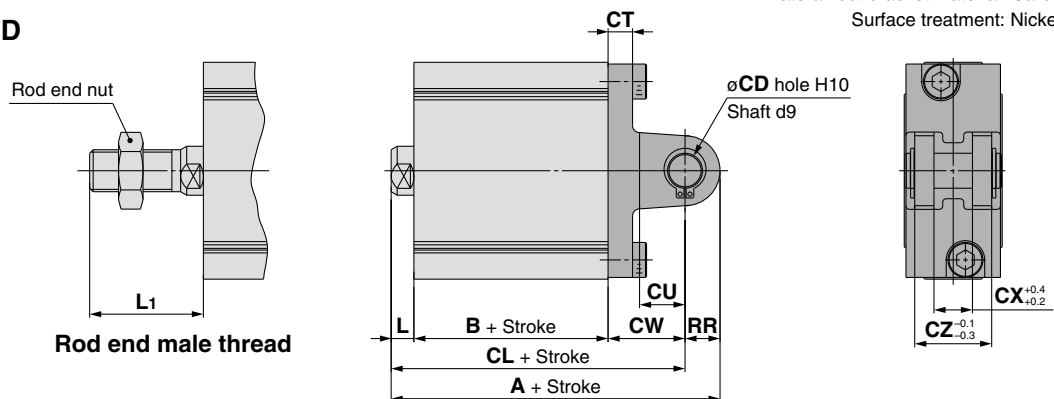


Lateral Foot

Size	Stroke range	A	B	L	L ₁	MD	MH	MS	MT	MX	MY	MZ	X	Y
20	5 to 50	82.5	42.5	21.5	39.5	6	15	67.5	3.2	36	26	47	12.5	6
25	5 to 50	82.5	42.5	21.5	39.5	6	14.5	67.5	3.2	42	26.5	53	12.5	6
32	5 to 100	90.5	49.5	21.5	47.5	7	15.5	76.5	3.2	48	29.5	62	13.5	6
40	5 to 100	99	49.5	26.5	52.5	9	16.5	79.5	3.2	63	32	80	15	8

Lateral foot bracket material: Carbon steel
Surface treatment: Nickel plated

Double clevis: CQUD



Double Clevis

Size	Stroke range	A	B	CD	CL	CT	CU	CW	CX	CZ	L	L ₁	RR
20	5 to 50	72	42.5	8	64	4	9	15	8	16	6.5	24.5	8
25	5 to 50	74	42.5	8	66	4	11	17	9	18	6.5	24.5	8
32	5 to 100	88	49.5	10	78	7	13	22	11	22	6.5	32.5	10
40	5 to 100	93	49.5	10	83	10	13	27	13	26	6.5	32.5	10

* For details about the rod end nut and accessory brackets, refer to page 8.

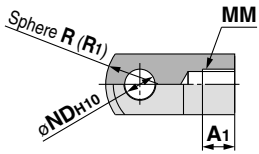
Double clevis bracket material: Carbon steel
Surface treatment: Metallic painted

Series CQU

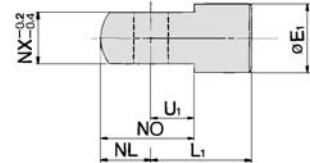
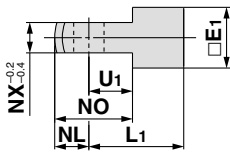
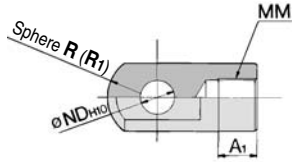
Accessory Brackets

Single Knuckle Joint

CQU20,
CQU25



CQU32,
CQU40



(mm)

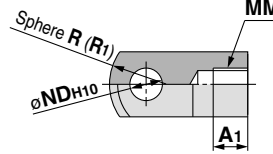
Part no.	Size	A1	E1	L1	MM
I-G02	20, 25	8.5	16	25	M8 x 1.25
I-MU03	32, 40	12	18	31	M12 x 1.25

Part no.	NDH10	NL	NO	NX	R1	U1
I-G02	8 ^{+0.058} ₀	9	20.5	8	10.3	11.5
I-MU03	10 ^{+0.058} ₀	10	24	11	10	14

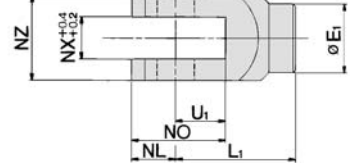
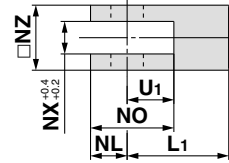
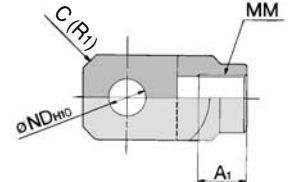
Single knuckle joint material: Rolled steel
Surface treatment: Nickel plated

Double Knuckle Joint

CQU20,
CQU25



CQU32,
CQU40



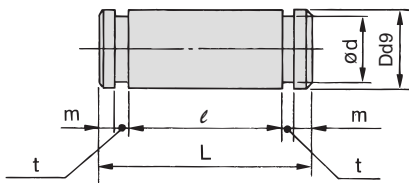
(mm)

Part no.	Size	A1	E1	L1	MM	NDH10
Y-G02	20, 25	8.5	—	25	M8 x 1.25	8 ^{+0.058} ₀
Y-MU03	32, 40	12	18	31	M12 x 1.25	10 ^{+0.058} ₀

Part no.	NL	NO	NX	NZ	R1	U1
Y-G02	9	20.5	8	16	10.3	11.5
Y-MU03	10	24	11	22	4	14

* Knuckle pin and retaining ring are included. Double knuckle joint material: Rolled steel
Surface treatment: Nickel plated

Knuckle Pin (Common with Double Clevis Pin)



(mm)

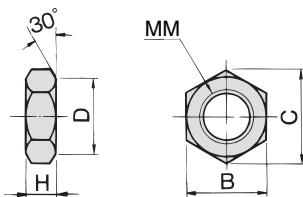
Part no.	Size	Dd9	L	d	ℓ
IY-G02	20	8 ^{-0.040} _{-0.076}	21	7.6	16.2
CD-MU02	25	8 ^{-0.040} _{-0.076}	23	7.6	18.2
CD-MU03	32	10 ^{-0.040} _{-0.076}	27	9.6	22.2
CD-MU04	40	10 ^{-0.040} _{-0.076}	31	9.6	26.2

Part no.	m	t	Applicable retaining ring
IY-G02	1.5	0.9	C-type 8 for shaft
CD-MU02	1.5	0.9	C-type 8 for shaft
CD-MU03	1.25	1.15	C-type 10 for shaft
CD-MU04	1.25	1.15	C-type 10 for shaft

Pin material: Carbon steel

* Knuckle pin is included in the double clevis and double knuckle joint as standard.
* C-type retaining ring for shaft is included.

Rod End Nut

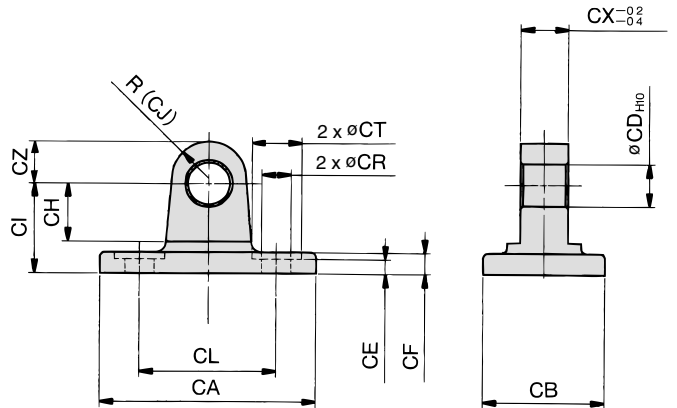


(mm)

Part no.	Size	MM	H	B	C	D
NT-02	20, 25	M8 x 1.25	5	13	15.0	12.5
NT-MU03	32, 40	M12 x 1.25	9.6	22.2	21.9	18

* A nut is included in the rod end male thread as standard.
Rod end nut material: Carbon steel
Surface treatment: Nickel plated

Double Clevis Socket



(mm)

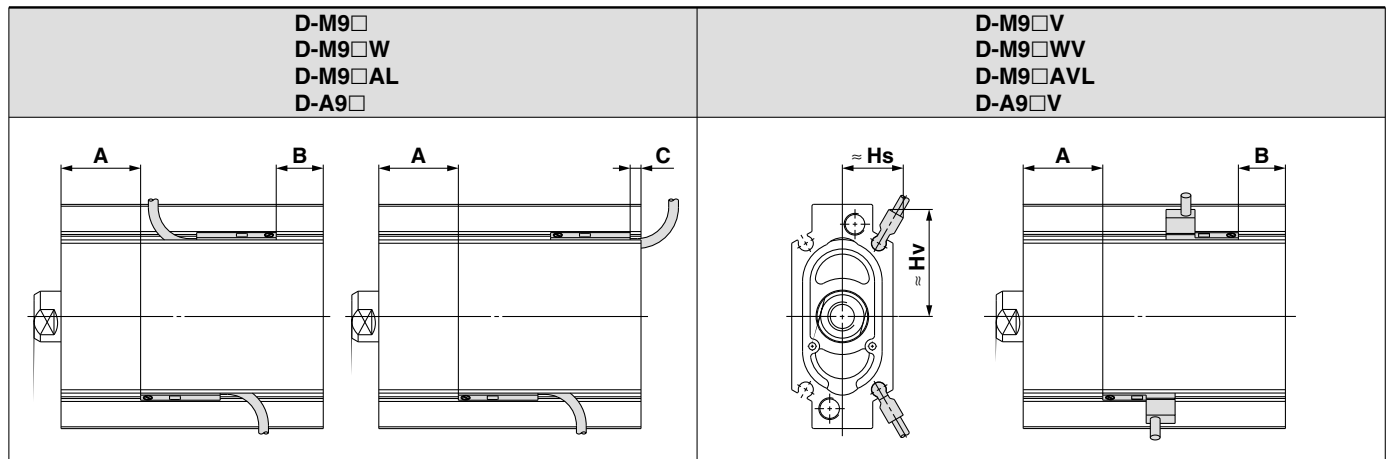
Part no.	Size	CA	CB	CDH10	CE	CF	CH	CI	CJ
MU-C02	25	53	23	8 ^{+0.058} ₀	3.5	4	11	17	7
MU-C03	32	67	27	10 ^{+0.058} ₀	3.5	7	13	22	10
MU-C04	40	85	31	10 ^{+0.058} ₀	3.5	10	13	27	10

Part no.	CL	CR	CT	CX	CZ
MU-C02	26	5.3	9.5	9	8
MU-C03	42	6.4	11	11	10
MU-C04	54	8.4	14	13	10

Double clevis socket material: Cast iron
Surface treatment: Painted

Note) Double clevis socket is available for sizes from 25 to 40.

Auto Switch Proper Mounting Position (Stroke End Detection) and Its Mounting Height



(mm)

Size	D-M9□ D-M9□W D-M9□AL			D-M9□V D-M9□WV D-M9□AVL				D-A9□			D-A9□V			
	A	B	C	A	B	Hs	Hv	A	B	C	A	B	Hs	Hv
20	19	11.5	1.5	19	11.5	14	23	15	7.5	5.5 (3)	15	7.5	12.5	20.5
25	19	11.5	1.5	19	11.5	15.5	25	15	7.5	5.5 (3)	15	7.5	14	23
32	22	15	5	22	15	17	30	18.5	11	9 (6.5)	18.5	11	15.5	27.5
40	22	15	5	22	15	17.5	37.5	18.5	11	9 (6.5)	18.5	11	16.5	35

(): D-A93

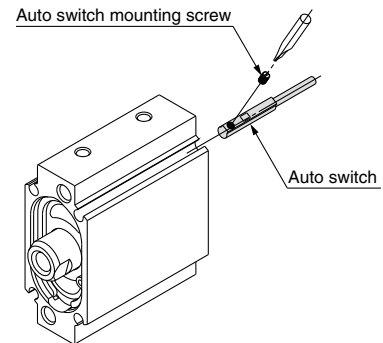
* For actual setting, check the operation of the auto switch and adjust as necessary.

Minimum Stroke for Auto Switch Mounting

(mm)

Number of auto switches	D-M9□ D-M9□V D-A9□ D-A9□V	D-M9□W D-M9□WV D-M9□AL D-M9□AVL
1 pc.	5	10
2 pcs.	10	15

Auto Switch Mounting



Use a watchmaker's screwdriver with a grip diameter of 5 to 6 mm to tighten the auto switch mounting screw.

The tightening torque should be about 0.05 to 0.15 mm.

As a guide, it can be tightened about 90° past the position at which tightening can be felt.

Operating Range

(mm)

Auto switch model	Size			
	20	25	32	40
D-M9□/M9□V ^{Note)}	2	2	2	2
D-M9□W/M9□WV D-M9□AL/M9□AVL	3	3	3.5	3
D-A9□/A9□V	6.5	6	6	5.5

* Since this is a guideline including hysteresis, not meant to be guaranteed.
(Assuming approximately ±30% dispersion) Value may greatly change depending on the surrounding environment.

Note) In products delivered from August 2008 onwards, the value will be the same as the D-M9□W, M9□WV, M9□AL, and M9□AVL.

Before Operation

Auto Switch Common Specifications (1)

⚠ Specific Product Precautions

Before handling auto switches, refer to "Handling Precautions for SMC Products" (M-E03-3) for Auto Switches Precautions.

Auto Switch Common Specifications

Type	Reed switch	Solid state switch
Leakage current	None	3-wire: 100 μ A or less 2-wire: 0.8 mA or less
Operating time	1.2 ms	1 ms or less
Impact resistance	300 m/s ²	1000 m/s ²
Insulation resistance	50 M Ω or more at 500 VDC Mega (between lead wire and case)	
Withstand voltage	1500 VAC for 1 minute (between lead wire and case)	1000 VAC for 1 minute (between lead wire and case)
Ambient temperature	-10 to 60°C	
Enclosure	IEC60529 standard IP67	

Lead Wire

Lead wire length indication

(Example)

D-M9BW **L**

● Lead wire length

Nil	0.5 m
M	1 m
L	3 m
Z	5 m

Note 1) 1 m (M): Available D-M9□□(V) only

The D-M9□M and M9□VM (lead wire length: 1 m) will be available with products delivered from August 2008 onwards.

Note 2) Lead wire length (Z): 5 m

Solid state switch: Manufactured upon receipt of order as standard.

Note 3) Tolerance of lead wire length

Lead wire length	Tolerance
0.5 m	±15 mm
1 m	±30 mm
3 m	±90 mm
5 m	±150 mm

Before Operation

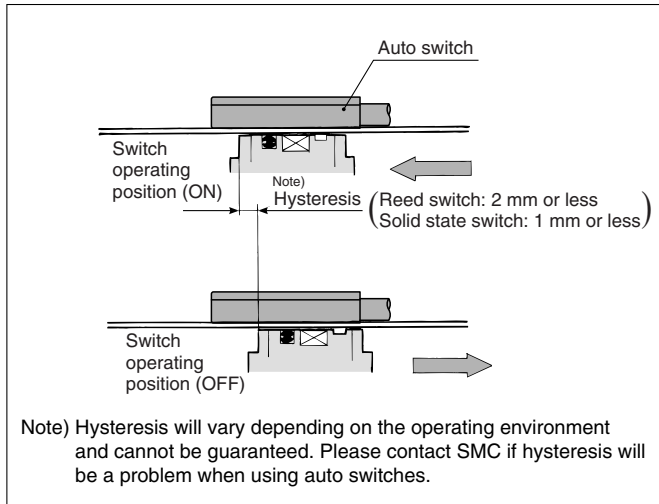
Auto Switch Common Specifications (2)

⚠ Specific Product Precautions

Before handling auto switches, refer to "Handling Precautions for SMC Products" (M-E03-3) for Auto Switches Precautions.

Auto Switch Hysteresis

Hysteresis is the distance between auto switch operating positions ON and OFF. The switch turns on when the piston moves, and it turns off when the piston moves to the opposite side. The operating range values (single side) partly include the hysteresis.



Contact Protection Box: CD-P11, CD-P12

<Applicable switch model>

D-A9/A9□V type

The above auto switch type is not equipped with a built-in contact protection circuit. Also, due to the construction, solid state switches do not require a contact protection box.

- ① Where the operation load is an inductive load.
- ② Where the wiring length to load is greater than 5 m.
- ③ Where the load voltage is 100 VAC.

Use a contact protection box for any of the above cases:

The contact life may be shortened (due to permanent energizing conditions).

(Where the load voltage is 110 VAC)

When the load voltage is increased by 10% to the rating of applicable auto switches above, use a contact protection box (CD-P11) to reduce the upper limit of the load current by 10% so that it can be set within the range of the load current, enabling to use at 110 VAC.

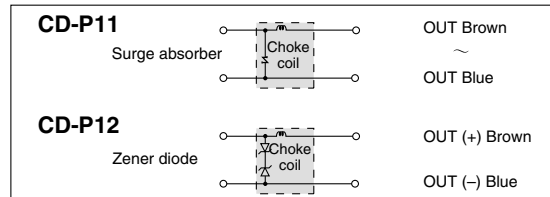
Specifications

Part no.	CD-P11	CD-P12
Load voltage	100 VAC or less	200 VAC 24 VDC
Max. load current	25 mA	12.5 mA 50 mA

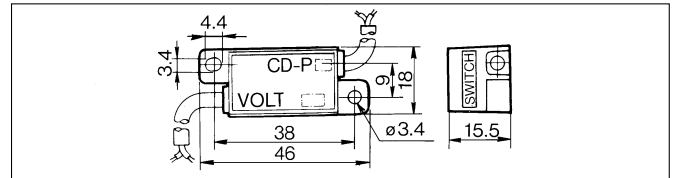
* Lead wire length — Switch connection side 0.5 m
Load connection side 0.5 m



Internal Circuit



Dimensions



Connection

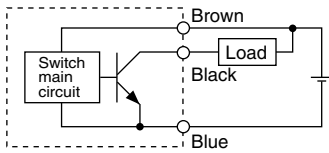
To connect a switch unit to a contact protection box, connect the lead wire from the side of the contact protection box marked SWITCH to the lead wire coming out of the switch unit. Keep the switch as close as possible to the contact protection box, with a lead wire length of no more than 1 meter.

Before Operation

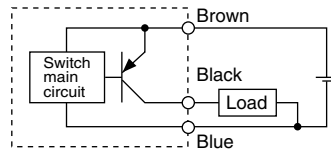
Auto Switch/Connections and Examples

Basic Wiring

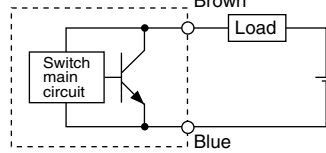
Solid state 3-wire, NPN



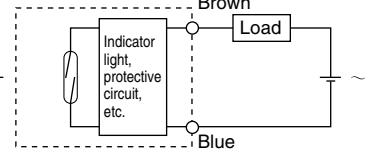
Solid state 3-wire, PNP



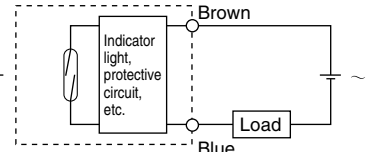
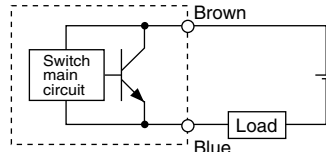
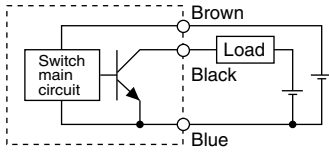
2-wire (Solid state)



2-wire (Reed)

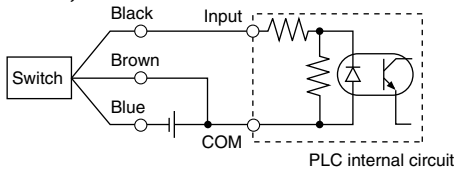


(Power supplies for switch and load are separate.)

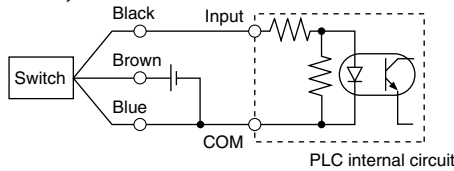


Example of Connection to PLC (Programmable Logic Controller)

• Sink input specification 3-wire, NPN

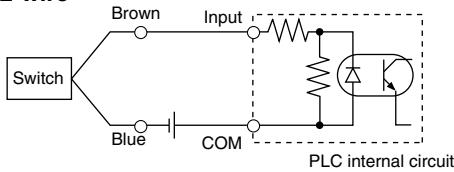


• Source input specification 3-wire, PNP

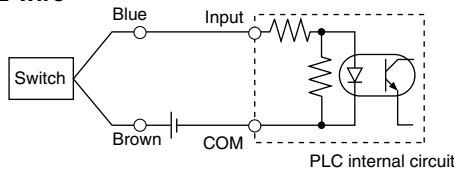


Connect according to the PLC input specifications, since the connection method will differ depending on the PLC input specifications.

2-wire



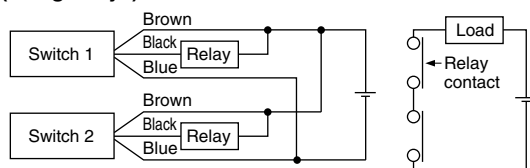
2-wire



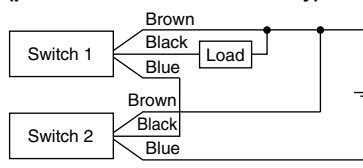
Example of AND (Serial) and OR (Parallel) Connection

• 3-wire

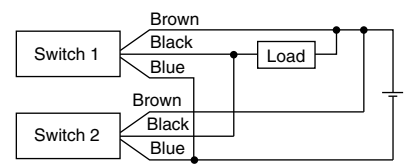
AND connection for NPN output (using relays)



AND connection for NPN output (performed with switches only)



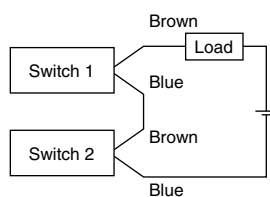
OR connection for NPN output



The indicator lights will illuminate when both switches are turned ON.

• 2-wire

2-switch AND connection

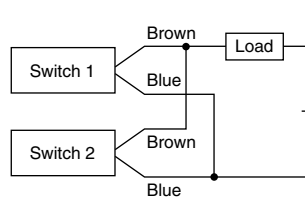


When two switches are connected in series, a load may malfunction because the load voltage will decrease in the ON state. The indicator lights will illuminate if both switches are turned ON.

$$\begin{aligned} \text{Load voltage at ON} &= \text{Power supply voltage} - \text{Residual voltage} \times 2 \text{ pcs.} \\ &= 24 \text{ V} - 4 \text{ V} \times 2 \text{ pcs.} \\ &= 16 \text{ V} \end{aligned}$$

Example) Power supply voltage: 24 VDC
Auto switch internal voltage drop: 4 V

2-switch OR connection



(Solid state)

When two switches are connected in parallel, malfunction may occur because the load voltage will increase in the OFF state.

(Reed)

Because there is no leakage current, the load voltage will not increase in the OFF state. However, depending on the number of switches in the ON state, the indicator lights may sometimes dim or not light because of the dispersion and reduction of the current flowing to the switches.

$$\begin{aligned} \text{Load voltage at OFF} &= \text{Leakage current} \times 2 \text{ pcs.} \\ &\quad \times \text{Load impedance} \\ &= 1 \text{ mA} \times 2 \text{ pcs.} \times 3 \text{ k}\Omega \\ &= 6 \text{ V} \end{aligned}$$

Example) Load impedance: 3 kΩ
Auto switch leakage current: 1 mA

Solid State Switch: Direct Mounting Style D-M9N(V)/D-M9P(V)/D-M9B(V)



For details about certified products conforming to international standards, visit us at www.smcworld.com.

Grommet

- 2-wire load current is reduced (2.5 to 40 mA).
- Flexibility is 1.5 times greater than the conventional model (SMC comparison).
- Using flexible cable as standard specification



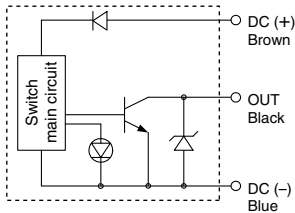
Caution

Precautions

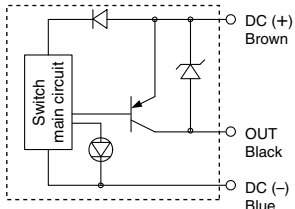
Fix the auto switch with the set screw attached to the auto switch body. The auto switch may be damaged if an unspecified screw is used.

Auto Switch Internal Circuit

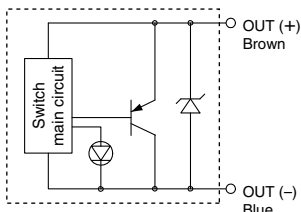
D-M9N(V)



D-M9P(V)



D-M9B(V)



Auto Switch Specifications

PLC: Programmable Logic Controller

D-M9□(V) (With indicator light)						
Auto switch model	D-M9N	D-M9NV	D-M9P	D-M9PV	D-M9B	D-M9BV
Electrical entry direction	In-line	Perpendicular	In-line	Perpendicular	In-line	Perpendicular
Wiring type	3-wire				2-wire	
Output type	NPN		PNP		—	
Applicable load	IC circuit, Relay, PLC				24 VDC relay, PLC	
Power supply voltage	5, 12, 24 VDC (4.5 to 28 V)				—	
Current consumption	10 mA or less				—	
Load voltage	28 VDC or less		—		24 VDC (10 to 28 VDC)	
Load current	40 mA or less				2.5 to 40 mA	
Internal voltage drop	0.8 V or less at 10 mA (2 V or less at 40 mA)				4 V or less	
Leakage current	100 μA or less at 24 VDC				0.8 mA or less	
Indicator light	Red LED illuminates when turned ON.					
Standard	CE marking					

- Lead wires — Oilproof heavy-duty vinyl cable: $\phi 2.7 \times 3.2$ ellipse
 D-M9B(V) 0.15 mm² x 2 cores
 D-M9N(V), D-M9P(V) 0.15 mm² x 3 cores

Note 1) Refer to page 10 for solid state switch common specifications.

Note 2) Refer to page 10 for lead wire lengths.

Mass

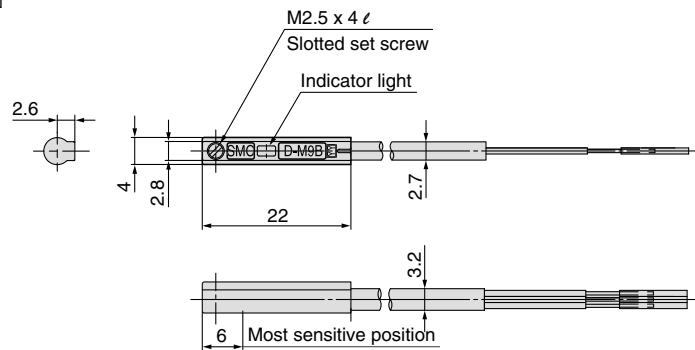
Unit: g

Auto switch model	D-M9N(V)	D-M9P(V)	D-M9B(V)	
Lead wire length (m)	0.5	8	8	7
	1	14	14	13
	3	41	41	38
	5	68	68	63

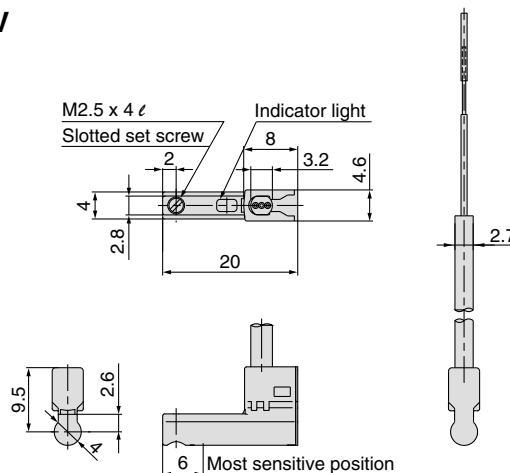
Dimensions

Unit: mm

D-M9□



D-M9□V



2-Color Indication Solid State Switch: Direct Mounting Style

D-M9NW(V)/D-M9PW(V)/D-M9BW(V)



For details about certified products conforming to international standards, visit us at www.smcworld.com.

Grommet

- 2-wire load current is reduced (2.5 to 40 mA).
- Flexibility is 1.5 times greater than the conventional model (SMC comparison).
- Using flexible cable as standard spec.
- The optimum operating position can be determined by the color of the light. (Red → Green ← Red)



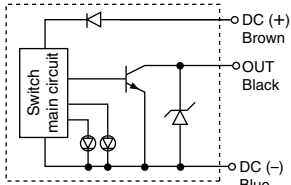
Caution

Precautions

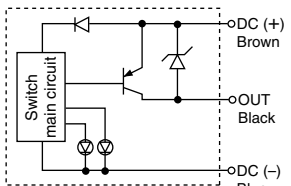
Fix the auto switch with the set screw attached to the auto switch body. The auto switch may be damaged if an unspecified screw is used.

Auto Switch Internal Circuit

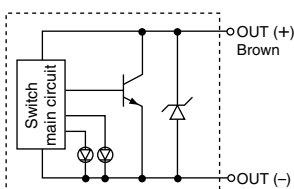
D-M9NW(V)



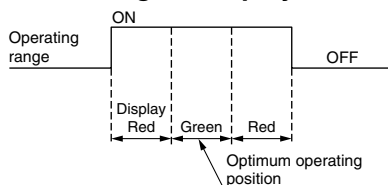
D-M9PW(V)



D-M9BW(V)



Indicator light / Display method



Auto Switch Specifications

PLC: Programmable Logic Controller

D-M9□W(V) (With indicator light)						
Auto switch model	D-M9NW	D-M9NWV	D-M9PW	D-M9PWV	D-M9BW	D-M9BWV
Electrical entry direction	In-line	Perpendicular	In-line	Perpendicular	In-line	Perpendicular
Wiring type	3-wire				2-wire	
Output type	NPN		PNP		—	
Applicable load	IC circuit, Relay, PLC				24 VDC relay, PLC	
Power supply voltage	5, 12, 24 VDC (4.5 to 28 V)				—	
Current consumption	10 mA or less				—	
Load voltage	28 VDC or less		—		24 VDC (10 to 28 VDC)	
Load current	40 mA or less				2.5 to 40 mA	
Internal voltage drop	0.8 V or less at 10 mA (2 V or less at 40 mA)				4 V or less	
Leakage current	100 μA or less at 24 VDC				0.8 mA or less	
Indicator light	Operating position Red LED illuminates. Optimum operating position Green LED illuminates.					
Standard	CE marking					

- Lead wires — Oilproof flexible heavy-duty vinyl cable: $\phi 2.7 \times 3.2$ ellipse
D-M9BW(V) 0.15 mm² x 2 cores
D-M9NW(V), D-M9PW(V) 0.15 mm² x 3 cores

Note 1) Refer to page 10 for solid state switch common specifications.

Note 2) Refer to page 10 for lead wire lengths.

Mass

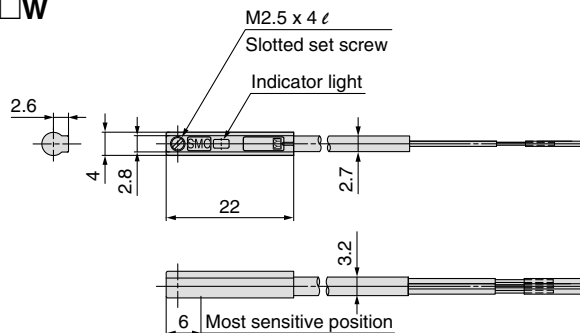
Unit: g

Auto switch model	D-M9NW(V)	D-M9PW(V)	D-M9BW(V)
Lead wire length (m)	0.5	8	7
	1	14	13
	3	41	38
	5	68	63

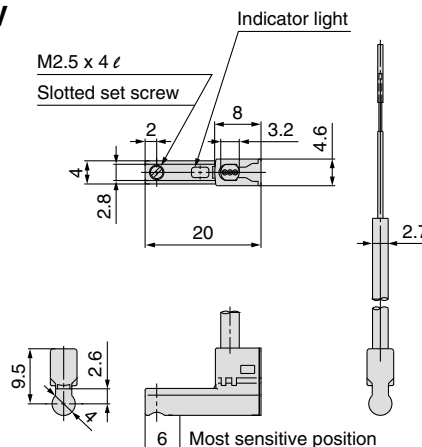
Dimensions

Unit: mm

D-M9□W



D-M9□WV



Water Resistant 2-Color Indication Solid State Switch: Direct Mounting Style

D-M9NA(V)/D-M9PA(V)/D-M9BA(V)

Grommet

- Water (coolant) resistant type
- 2-wire load current is reduced (2.5 to 40 mA).
- The optimum operating position can be determined by the color of the light. (Red → Green ← Red)
- Using flexible cable as standard specification



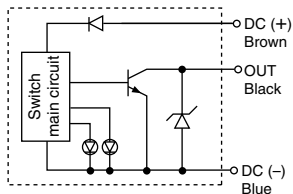
Caution

Precautions

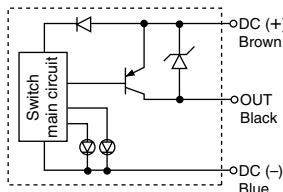
Fix the auto switch with the set screw attached to the auto switch body. The auto switch may be damaged if an unspecified screw is used.

Auto Switch Internal Circuit

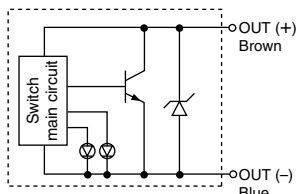
D-M9NA(V)



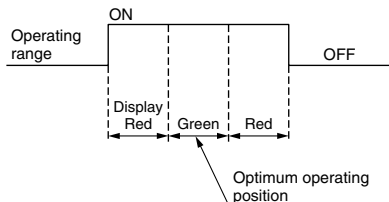
D-M9PA(V)



D-M9BA(V)



Indicator light / Display method



Auto Switch Specifications

PLC: Programmable Logic Controller

D-M9□A(V) (With indicator light)						
Auto switch model	D-M9NA	D-M9NAV	D-M9PA	D-M9PAV	D-M9BA	D-M9BAV
Electrical entry direction	In-line	Perpendicular	In-line	Perpendicular	In-line	Perpendicular
Wiring type	3-wire			2-wire		
Output type	NPN		PNP		—	
Applicable load	IC circuit, Relay, PLC				24 VDC relay, PLC	
Power supply voltage	5, 12, 24 VDC (4.5 to 28 V)				—	
Current consumption	10 mA or less				—	
Load voltage	28 VDC or less		—		24 VDC (10 to 28 VDC)	
Load current	40 mA or less				2.5 to 40 mA	
Internal voltage drop	0.8 V or less at 10 mA (2 V or less at 40 mA)				4 V or less	
Leakage current	100 μA or less at 24 VDC				0.8 mA or less	
Indicator light	Operating position Red LED illuminates. Optimum operating position Green LED illuminates.					
Standard	CE marking					

- Lead wires — Oilproof flexible heavy-duty vinyl cable: $\varnothing 2.7 \times 3.2$ ellipse
D-M9BA(V) 0.15 mm² x 2 cores
D-M9NA(V), D-M9PA(V) 0.15 mm² x 3 cores

Note 1) Refer to page 10 for solid state switch common specifications.

Note 2) Refer to page 10 for lead wire lengths.

Mass

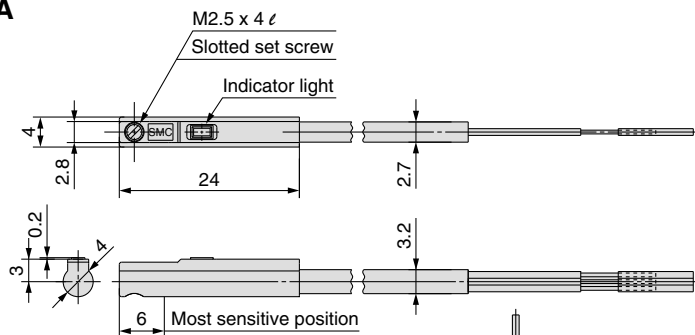
Unit: g

Auto switch model	D-M9NA(V)	D-M9PA(V)	D-M9BA(V)
Lead wire length (m)	0.5	8	7
	1	14	13
	3	41	38
	5	68	63

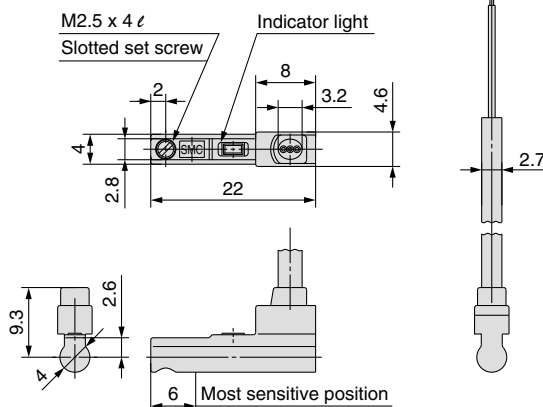
Dimensions

Unit: mm

D-M9□A



D-M9□AV



Reed Switch: Direct Mounting Style

D-A90(V)/D-A93(V)/D-A96(V)

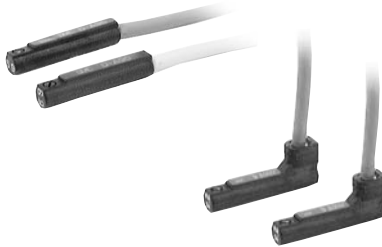


For details about certified products conforming to international standards, visit us at www.smcworld.com.

Auto Switch Specifications

PLC: Programmable Logic Controller

Grommet



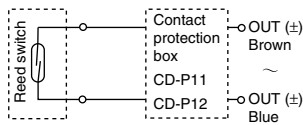
Caution

Precautions

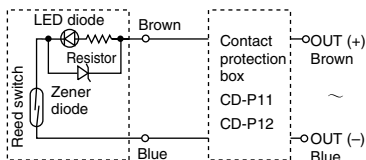
Fix the auto switch with the set screw attached to the auto switch body. The auto switch may be damaged if an unspecified screw is used.

Auto Switch Internal Circuit

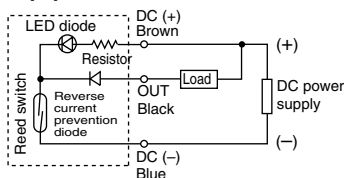
D-A90(V)



D-A93(V)



D-A96(V)



- Note) ① In a case where the operation load is an inductive load.
 ② In a case where the wiring length is greater than 5 m.
 ③ In a case where the load voltage is 100 VAC.

Use a contact protection box for any of the above cases since the contact life may be shortened. (For details about the contact protection box, refer to page 11.)

D-A90(V) (Without indicator light)			
Auto switch model	D-A90/D-A90V		
Applicable load	IC circuit, Relay, PLC		
Load voltage	24 VAC/DC or less	48 VAC/DC or less	100 VAC/DC or less
Maximum load current	50 mA	40 mA	20 mA
Contact protection circuit	None		
Internal resistance	1 Ω or less (including lead wire length of 3 m)		
Standard	CE marking		
D-A93(V)/D-A96(V) (With indicator light)			
Auto switch model	D-A93/D-A93V		D-A96/D-A96V
Applicable load	Relay, PLC		IC circuit
Load voltage	24 VDC	100 VAC	4 to 8 VDC
Load current range and max. load current <small>(Note 3)</small>	5 to 40 mA	5 to 20 mA	20 mA
Contact protection circuit	None		
Internal voltage drop	D-A93 — 2.4 V or less (to 20 mA)/3 V or less (to 40 mA) D-A93V — 2.7 V or less		0.8 V or less
Indicator light	Red LED illuminates when turned ON.		
Standard	CE marking		

Lead wires

D-A90(V)/D-A93(V) — Oilproof heavy-duty vinyl cable: $\phi 2.7$, 0.18 mm² x 2 cores (Brown, Blue), 0.5 m
 D-A96(V) — Oilproof heavy-duty vinyl cable: $\phi 2.7$, 0.15 mm² x 3 cores (Brown, Black, Blue), 0.5 m

Note 1) Refer to page 10 for reed switch common specifications.

Note 2) Refer to page 10 for lead wire lengths.

Note 3) Under 5 mA, the visibility of an indicator light is worsen. Furthermore, although it could be impossible to recognize it under 2.5 mA, but there would be no problem only with 1 mA or more in terms of the contact output.

Mass

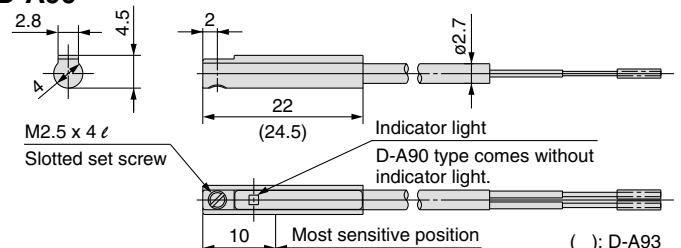
Unit: g

Model	D-A90	D-A90V	D-A93	D-A93V	D-A96	D-A96V
Lead wire length (m)	0.5	6	6	6	8	8
	3	30	30	30	41	41

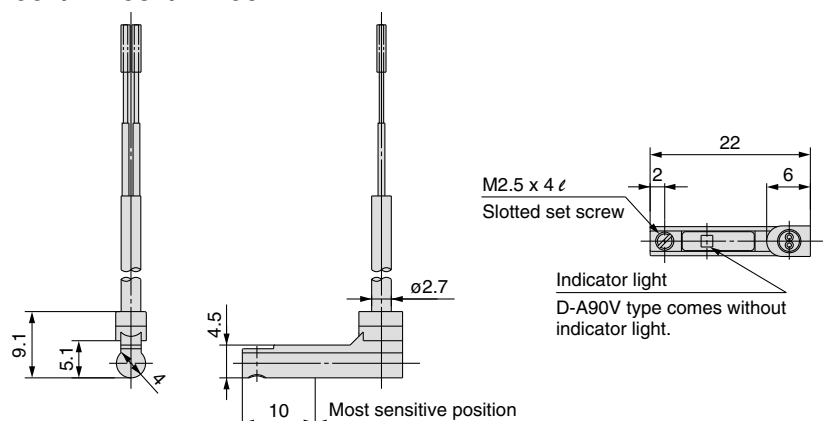
Dimensions

Unit: mm

D-A90/D-A93/D-A96



D-A90V/D-A93V/D-A96V








Safety Instructions

These safety instructions are intended to prevent hazardous situations and/or equipment damage. These instructions indicate the level of potential hazard with the labels of “**Caution**,” “**Warning**” or “**Danger**.” They are all important notes for safety and must be followed in addition to International Standards (ISO/IEC), Japan Industrial Standards (JIS)*1) and other safety regulations*2).

- * 1) ISO 4414: Pneumatic fluid power – General rules relating to systems.
ISO 4413: Hydraulic fluid power – General rules relating to systems.
IEC 60204-1: Safety of machinery – Electrical equipment of machines. (Part 1: General requirements)
ISO 10218-1992: Manipulating industrial robots -Safety.
JIS B 8370: General rules for pneumatic equipment.
JIS B 8361: General rules for hydraulic equipment.
JIS B 9960-1: Safety of machinery – Electrical equipment of machines. (Part 1: General requirements)
JIS B 8433-1993: Manipulating industrial robots - Safety.
etc.
- * 2) Labor Safety and Sanitation Law, etc.

 **Caution:** Operator error could result in injury or equipment damage.

 **Warning:** Operator error could result in serious injury or loss of life.

 **Danger :** In extreme conditions, there is a possibility of serious injury or loss of life.

Warning

1. The compatibility of the product is the responsibility of the person who designs the equipment or decides its specifications.

Since the product specified here is used under various operating conditions, its compatibility with specific equipment must be decided by the person who designs the equipment or decides its specifications based on necessary analysis and test results. The expected performance and safety assurance of the equipment will be the responsibility of the person who has determined its compatibility with the product. This person should also continuously review all specifications of the product referring to its latest catalog information, with a view to giving due consideration to any possibility of equipment failure when configuring the equipment.

2. Only personnel with appropriate training should operate machinery and equipment.

The product specified here may become unsafe if handled incorrectly. The assembly, operation and maintenance of machines or equipment including our products must be performed by an operator who is appropriately trained and experienced.

3. Do not service or attempt to remove product and machinery/equipment until safety is confirmed.

1. The inspection and maintenance of machinery/equipment should only be performed after measures to prevent falling or runaway of the driven objects have been confirmed.

2. When the product is to be removed, confirm that the safety measures as mentioned above are implemented and the power from any appropriate source is cut, and read and understand the specific product precautions of all relevant products carefully.

3. Before machinery/equipment is restarted, take measures to prevent unexpected operation and malfunction.

4. Contact SMC beforehand and take special consideration of safety measures if the product is to be used in any of the following conditions.

1. Conditions and environments outside of the given specifications, or use outdoors or in a place exposed to direct sunlight.

2. Installation on equipment in conjunction with atomic energy, railways, air navigation, space, shipping, vehicles, military, medical treatment, combustion and recreation, or equipment in contact with food and beverages, emergency stop circuits, clutch and brake circuits in press applications, safety equipment or other applications unsuitable for the standard specifications described in the product catalog.

3. An application which could have negative effects on people, property, or animals requiring special safety analysis.

4. Use in an interlock circuit, which requires the provision of double interlock for possible failure by using a mechanical protective function, and periodical checks to confirm proper operation.



Safety Instructions

Caution

The product is provided for use in manufacturing industries.

The product herein described is basically provided for peaceful use in manufacturing industries.

If considering using the product in other industries, consult SMC beforehand and exchange specifications or a contract if necessary. If anything is unclear, contact your nearest sales branch.

Limited Warranty and Disclaimer/Compliance Requirements

The product used is subject to the following “Limited Warranty and Disclaimer” and “Compliance Requirements”. Read and accept them before using the product.

Limited Warranty and Disclaimer

1. The warranty period of the product is 1 year in service or 1.5 years after the product is delivered.*3)

Also, the product may have specified durability, running distance or replacement parts. Please consult your nearest sales branch.

2. For any failure or damage reported within the warranty period which is clearly our responsibility, a replacement product or necessary parts will be provided.

This limited warranty applies only to our product independently, and not to any other damage incurred due to the failure of the product.

3. Prior to using SMC products, please read and understand the warranty terms and disclaimers noted in the specified catalog for the particular products.

*** 3) Vacuum pads are excluded from this 1 year warranty.**

A vacuum pad is a consumable part, so it is warranted for a year after it is delivered.

Also, even within the warranty period, the wear of a product due to the use of the vacuum pad or failure due to the deterioration of rubber material are not covered by the limited warranty.

Compliance Requirements

When the product is exported, strictly follow the laws required by the Ministry of Economy, Trade and Industry (Foreign Exchange and Foreign Trade Control Law).



Series CQU

Specific Product Precautions

Be sure to read this before handling.

Refer to back pages 1 and 2 for Safety Instructions, "Handling Precautions for SMC Products" (M-E03-3) for Actuators Precautions.

Precautions

⚠ Caution

- All loads to piston rod must be applied in axial direction only.
 - When a lateral load is applied unavoidably, ensure that it should not exceed the allowable lateral load to the rod end as specified on page 4.
 - When installing a cylinder, centering should be required accurately.
 - Adoption of guide mechanism is strongly recommended for the case when the CQU is used as stopper to prevent non-rotating piston rod from side loads.
- When a workpiece is secured to the end of the piston rod, ensure that the piston rod is retracted entirely, and place a wrench on the portion of the rod that protrudes beyond the section. Tighten it by giving consideration to prevent the tightening torque from being applied to the non-rotating guide.
- Operating the cylinder by connecting the piping directly to the cylinder can cause the piston speed to exceed the maximum operating speed of 500 mm/s. Therefore, to operate the cylinder, make sure to use an SMC speed controller and adjust the piston speed to 500 mm/s or less.

Retaining Ring Installation/Removal

⚠ Caution

- For installation and removal, use an appropriate pair of pliers (tool for installing a C-type retaining ring).
- Even if a proper plier (tool for installing a C-type retaining ring) is used, it is likely to inflict damage to a human body or peripheral equipment, as a retaining ring may be flown out of the tip of a plier (tool for installing a C-type retaining ring). Be much careful with the popping of a retaining ring. Besides, be certain that a retaining ring is placed firmly into the groove of rod cover before supplying air at the time of installment.
- Do not reuse the retaining ring once it has been removed. (The retaining ring is included in the seal kit.)

SMC Logo

⚠ Caution

- The direction of the SMC logo on the end face of the head cover is not specified in relation to the port position.

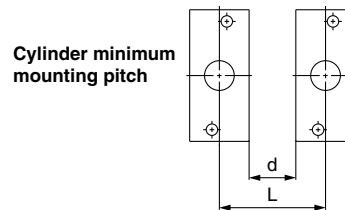
Handing of Auto Switches

Be sure to read this before handling.

Refer to "Handling Precautions for SMC Products" (M-E03-3) for Auto Switches Precautions.

⚠ Warning

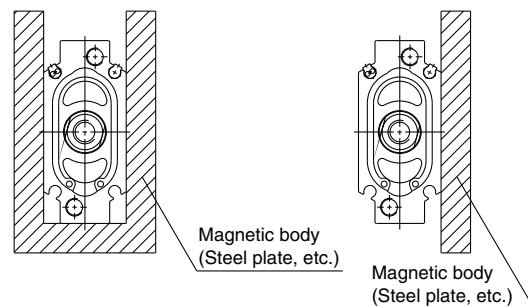
- If multiple cylinders are operated adjacent to each other, the magnets that are enclosed in the adjacent cylinders could affect the operation of the auto switches, causing the switches to malfunction. Therefore, make sure that the mounting pitch of the cylinders is at least that indicated in the table below.



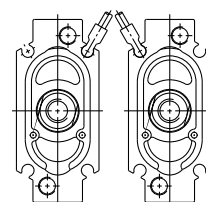
Size	20	25	32	40
L	30	29	33	36
d	8	5	5	5

(mm)

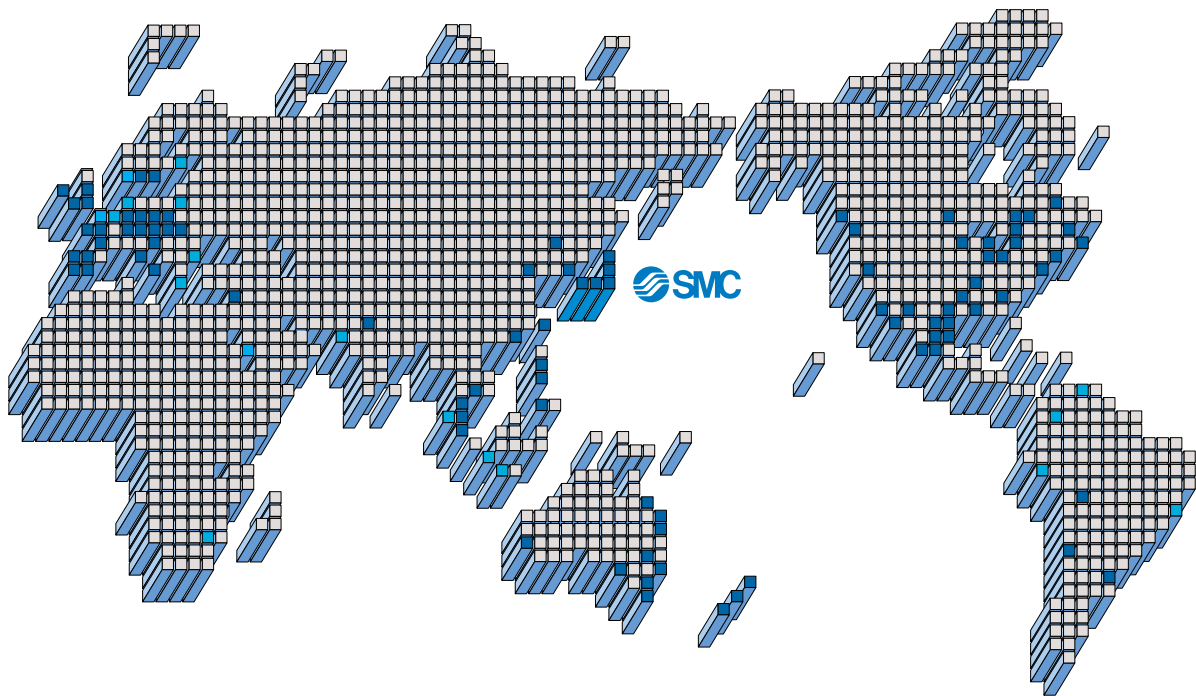
- If the cylinder is used in an application in which a magnetic material is placed in close contact around the cylinder as shown in the graph below (including cases in which even one of the sides is in close contact) the operation of auto switches could become unstable. Therefore, please check with SMC for this type of application.



- When multiple cylinders are installed close together and an auto switch with perpendicular entry for lead wire is used, the auto switch will protrude from the end of the tube, so take care to avoid interference. (Refer to page 9.)



SMC'S GLOBAL MANUFACTURING, DISTRIBUTION AND SERVICE NETWORK



EUROPE

AUSTRIA

SMC Pneumatik GmbH (Austria)

BELGIUM

SMC Pneumatics N.V./S.A.

BULGARIA

SMC Industrial Automation Bulgaria Eood

CROATIA

SMC Industrijska Automatika d.o.o.

CZECH REPUBLIC

SMC Industrial Automation CZ s.r.o.

DENMARK

SMC Pneumatik A/S

ESTONIA

SMC Pneumatics Estonia OÜ

FINLAND

SMC Pneumatics Finland Oy

FRANCE

SMC Pneumatique SA

GERMANY

SMC Pneumatik GmbH

GREECE

SMC Hellas E.P.E.

HUNGARY

SMC Hungary Ipari Automatizálási Kft.

IRELAND

SMC Pneumatics (Ireland) Ltd.

ITALY

SMC Italia S.p.A.

LATVIA

SMC Pneumatics Latvia SIA

LITHUANIA

UAB "SMC Pneumatics"

NETHERLANDS

SMC Pneumatics B.V.

NORWAY

SMC Pneumatics Norway AS

POLAND

SMC Industrial Automation Polska Sp.z.o.o.

ROMANIA

SMC Romania S.r.l.

RUSSIA

SMC Pneumatik LLC

SLOVAKIA

SMC Priemyselna Automatizacia Spol s.r.o.

SLOVENIA

SMC Industrijska Avtomatika d.o.o.

SPAIN/PORTUGAL

SMC España S.A.

SWEDEN

SMC Pneumatics Sweden AB

SWITZERLAND

SMC Pneumatik AG

U.K.

SMC Pneumatics (U.K.) Ltd.

ASIA

CHINA

SMC (China) Co., Ltd.

HONG KONG

SMC Pneumatics (Hong Kong) Ltd.

INDIA

SMC Pneumatics (India) Pvt. Ltd.

MALAYSIA

SMC Pneumatics (S.E.A.) Sdn. Bhd.

PHILIPPINES

Shoketsu SMC Corporation

SINGAPORE

SMC Pneumatics (S.E.A.) Pte. Ltd.

SOUTH KOREA

SMC Pneumatics Korea Co., Ltd.

TAIWAN

SMC Pneumatics (Taiwan) Co., Ltd.

THAILAND

SMC (Thailand) Ltd.

NORTH AMERICA

CANADA

SMC Pneumatics (Canada) Ltd.

MEXICO

SMC Corporation (Mexico), S.A. de C.V.

U.S.A.

SMC Corporation of America

SOUTH AMERICA

ARGENTINA

SMC Argentina S.A.

BOLIVIA

SMC Pneumatics Bolivia S.r.l.

BRAZIL

SMC Pneumáticos do Brasil Ltda

CHILE

SMC Pneumatics (Chile) S.A.

VENEZUELA

SMC Neumatica Venezuela S.A.

OCEANIA

AUSTRALIA

SMC Pneumatics (Australia) Pty. Ltd.

NEW ZEALAND

SMC Pneumatics (N.Z.) Ltd.



Safety Instructions

Be sure to read "Handling Precautions for SMC Products" (M-E03-3) before using.

SMC Corporation

Akihabara UDX 15F,
4-14-1, Sotokanda, Chiyoda-ku, Tokyo 101-0021, JAPAN
Phone: 03-5207-8249 Fax: 03-5298-5362
URL <http://www.smcworld.com>
© 2008 SMC Corporation All Rights Reserved

Specifications are subject to change without prior notice
and any obligation on the part of the manufacturer.

D-DN

1st printing MX printing MX 16400DN Printed in Japan.

This catalog is printed on recycled paper with concern for the global environment.