

Information

Heat Resistant Reed Switch Series D-B3

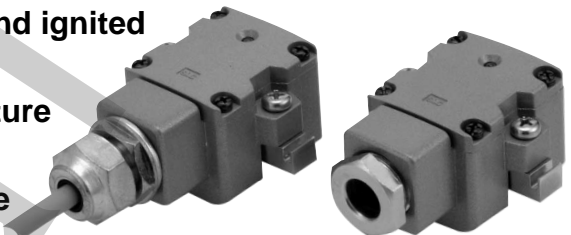
Can be used outdoors or under high temperature (Max. 120°C). Wide operating range (double that of other P/A products) enables stable position detection.

High temperature environment such as places around ignited gas outlet or furnace

Outdoor plants and environment with high temperature and humidity

Environment for steam cleaning or high temperature sterilization

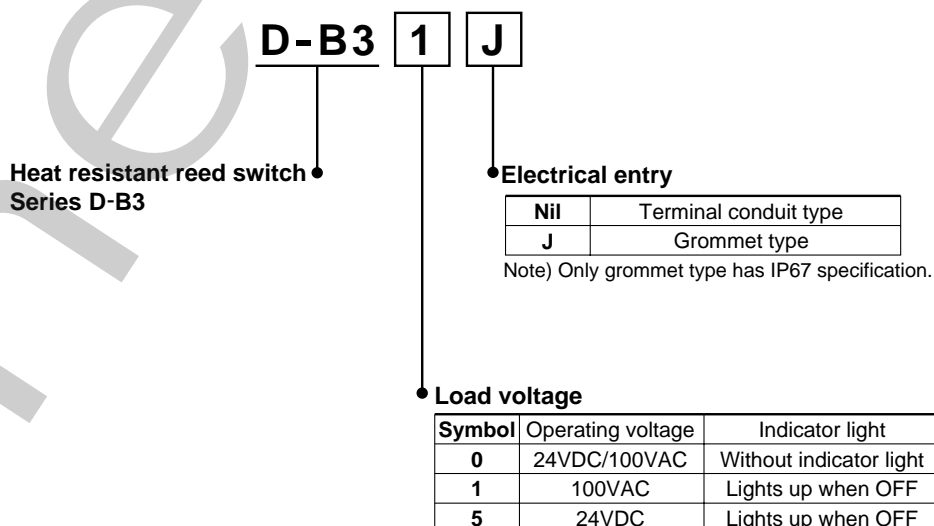
Applications requiring wide operating range such as clamping of elastic work pieces



Use of metal case and heat resistant materials.

The construction prevents influence of external environment by sealing the switch internal parts to improve heat resistance. The wide operating range allows easy position setting and reduces influence of the work piece position changes.

How to Order



Lead wire length

In case of the grommet type (J type), the lead wire length is 0.5m. (No lead wire is attached to the terminal conduit type.)

Manufacture of 3m and 5m types is also possible. Consult P/A for these types.

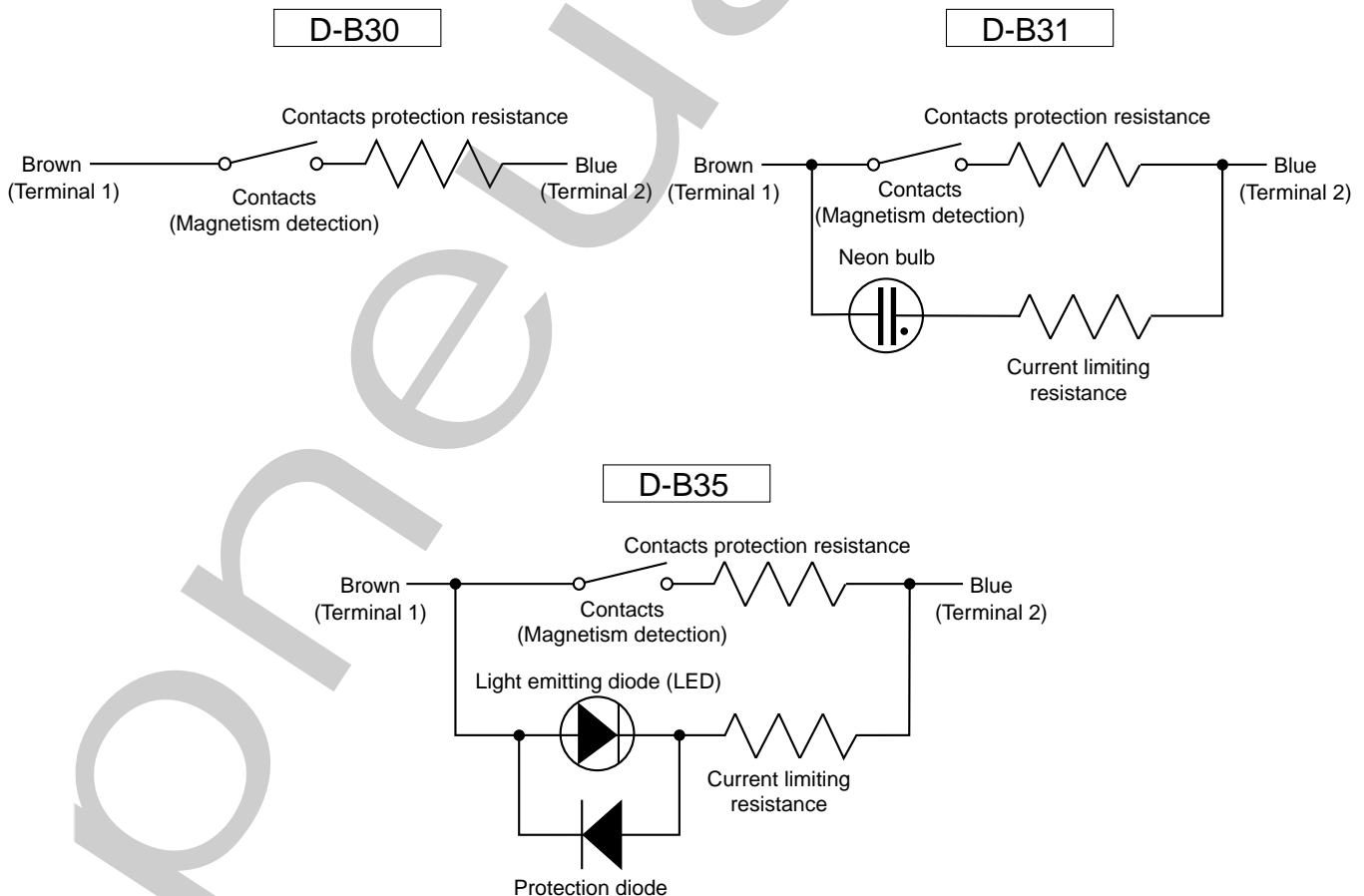
Series D-B3

Specifications

Switch model	D-B30	D-B30J	D-B31	D-B31J	D-B35	D-B35J
Electrical entry	Terminal conduit	Grommet	Terminal conduit	Grommet	Terminal conduit	Grommet
Operating voltage	24VDC / 100VAC		100VAC		24VDC	
Operating current range	5 to 30mADC / 5 to 20mAAC		5 to 20mAAC		5 to 30mADC	
Internal voltage drop	2.5V or less		2.5V or less		2.0V or less	
Indicator light	Without indicator light		Neon bulb lights up when OFF		Red LED lights up when OFF	
Applicable load	PLC (Programmable Logic Controller)					
Shock resistance	300m/s ²					
Leakage current	0.1mA or less		1mA or less		1mA or less	
Lead wire	—	0.5m ^{Note 1)}	—	0.5m ^{Note 1)}	—	0.5m ^{Note 1)}
Enclosure	Terminal conduit : IEC529 IP64 (Equivalent to JIS C0920 splash-proof type) Grommet : IEC529 IP67 (Equivalent to JIS C0920 watertight type)					
Withstand voltage	1500VAC for 1 minute (between case and terminals or lead wires)					
Insulation resistance	50MΩ or larger between case (ground) and lead wires (terminals)					
Operating temperature range	-10°C to 120°C					

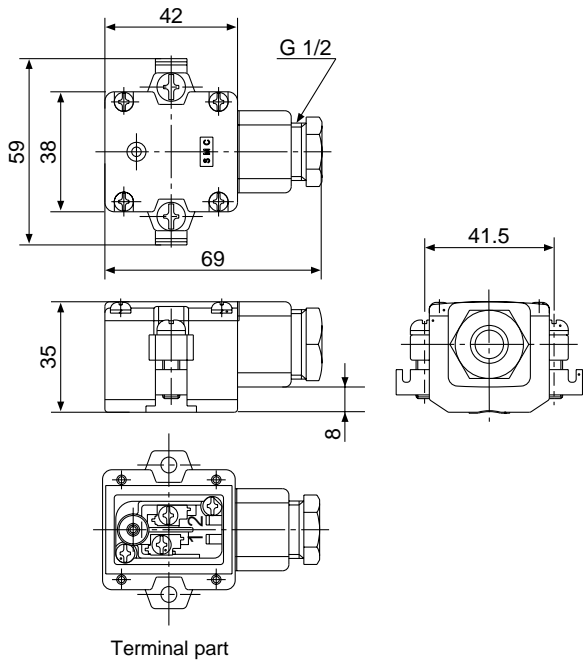
Note 1) Lead wire specifications: Outside diameter 6mm; Fluororesin rubber sheath; HBO-FTCF; 0.5mm² x 2

Switch Internal Circuit

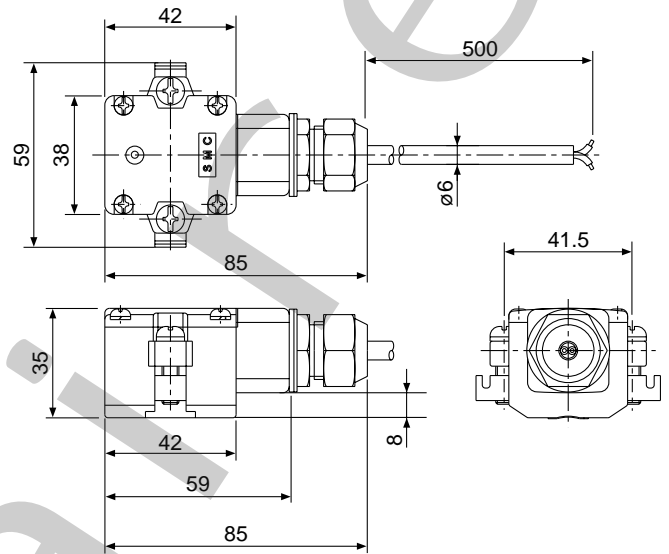


Auto Switch Dimensions

Terminal conduit type D-B3□

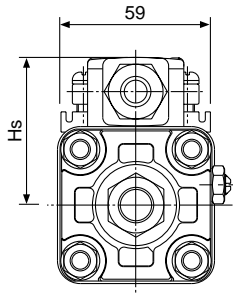


Grommet type D-B3□J



*Recommended minimum bending radius for lead wire RT : 25mm or more
120°C : 50mm or more

Dimensions for Cylinder Mounting



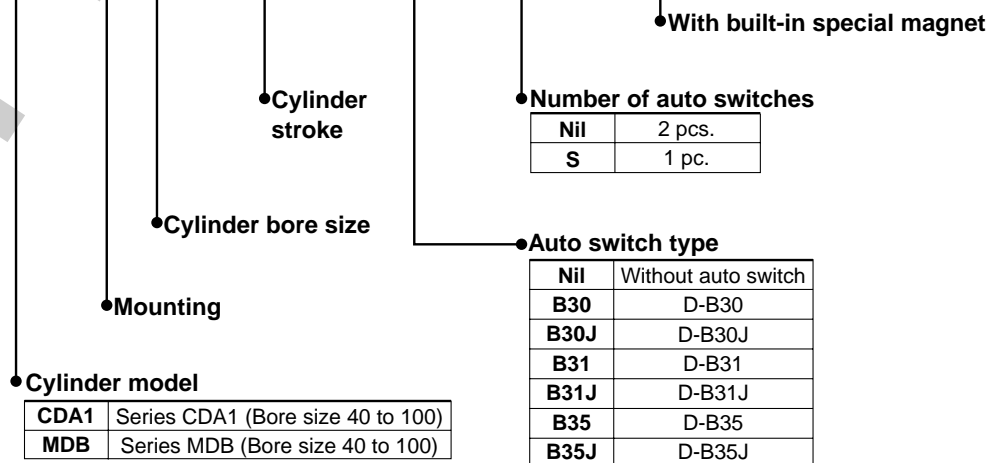
Hs dimensions

(mm)

Bore size	Cylinder model	
	CDA1	MDB
40mm	58.5	57.5
50mm	64.0	63.0
63mm	71.0	69.5
80mm	79.5	78.5
100mm	90.0	89.0

Mounting cylinder part no.

CDA1 B 50 - 200 - B31J S - X1184



*Consult P/A in case the switch is to be mounted on models other than applicable cylinders.