

Gateway system

Serial Transmission System

64 inputs and 64 outputs at maximum

All wires can be connected to connector units!



*Input units with covers



Series VQZ

Manifold valve with SI unit

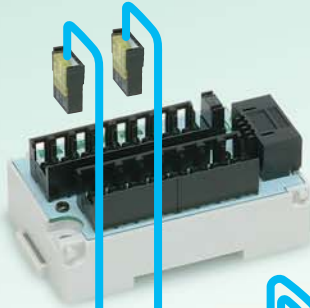


Series SY



Series S0700

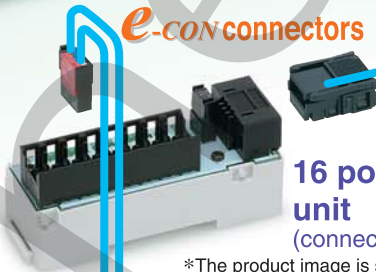
e-CON connectors



16 point input unit
(connects 16 connectors)

*The product image is shown without a cover

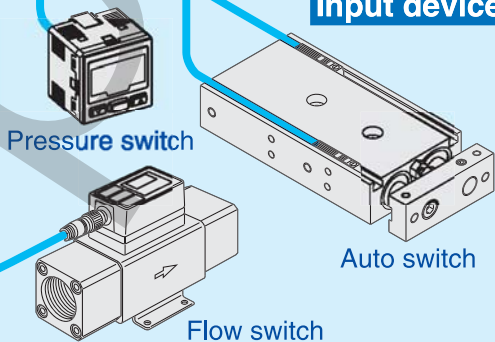
e-CON connectors



16 point input unit
(connects 8 connectors)

*The product image is shown without a cover

Input device



Pressure switch

Auto switch

Flow switch

Supporting communication protocols

CC-Link
DeviceNet™

PROFIBUS
PROCESS FIELD BUS
BUS

*Scheduled to support

4 input branches and 4 output branches
No address setting required

(Only GW unit setting is required.)

Cables with a built-in power supply line
(4-wired flat ribbon cables)

Power supply to each unit is not required.
(Power supply to only GW units is required.)

Maximum cable length : 20m

Transmission time delay : 1ms or less



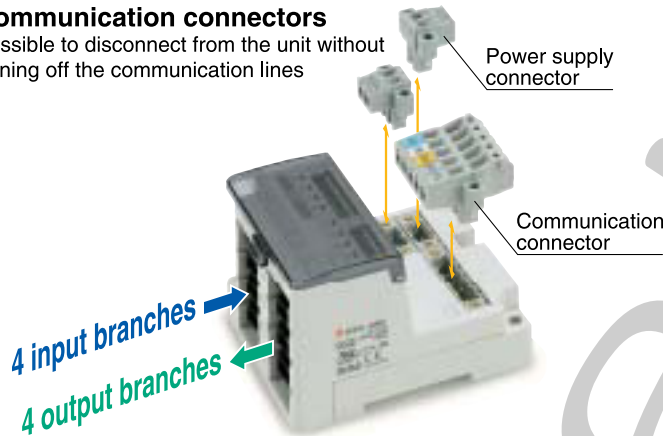
● GW unit

Numbers of utilized contact points can be changed.

64 inputs and 64 outputs 32 inputs and 32 outputs

Communication connectors

Possible to disconnect from the unit without turning off the communication lines

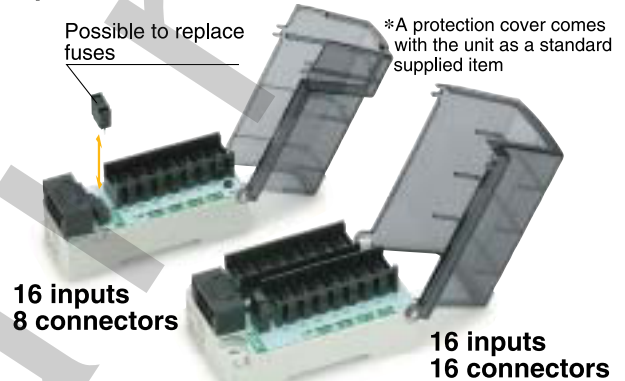


● Input unit

Possible to connect both NPN and PNP specification sensors (PAT.PEND)

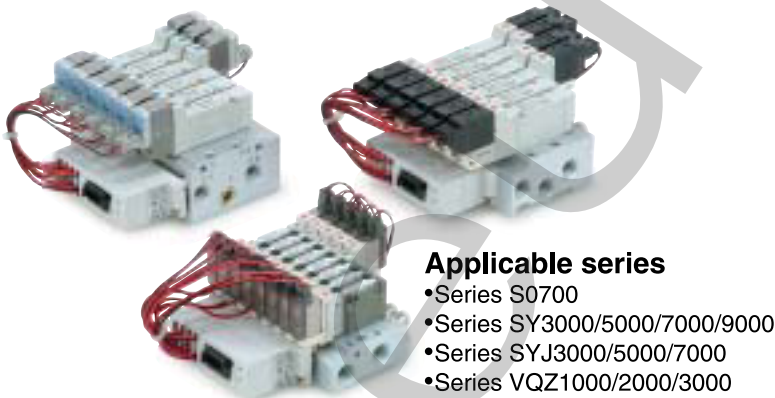
Possible to replace fuses

*A protection cover comes with the unit as a standard supplied item

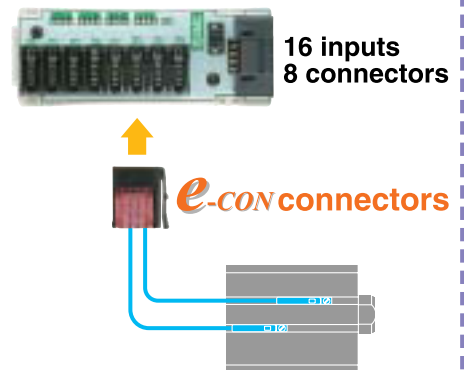


● Manifold valve with a SI unit

The SI unit is provided with built-in short circuit protection



Two 2-wire auto switches can be connected by one connector



● Options

Connecting connectors and cables for a GW unit and a SI unit, and between units

● Branch connectors/Branch cables
(4-wire flat ribbon cables)

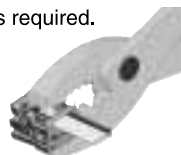
Prevention of wrong wiring

Cable colors are indicated on connectors. Confirmation by color is possible.



No need to strip wire ends

Only clamping with pliers is required.



● Cables for output usage

For effective utilization of unused output connectors

Possible to connect to other valves

For 1 output



For 2 outputs



● e-CON connectors

A connector to connect an input device and input unit

