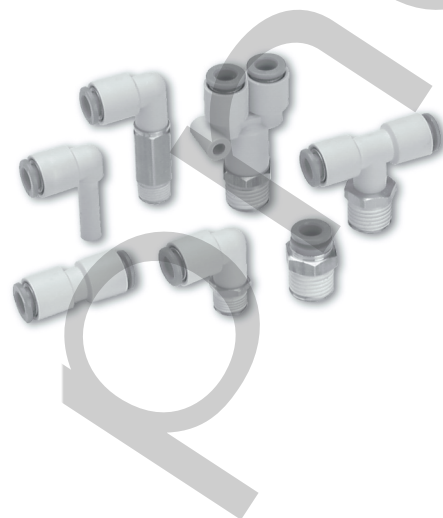


One-touch “in”— One-touch “out” tube connection.

Vacuum to 1.3KPa (10 Torr).

- Application to inch or metric size tube.
- Applicable tube material — Nylon, soft nylon, polyurethane



**Applicable Tube**

Tube material		Nylon, Soft nylon, Polyurethane
Tube O.D.	Inch	ø1/8, ø5/32, ø3/16, ø1/4, ø5/16, ø3/8, ø1/2
	Metric	ø3.2, ø4, ø6, ø8, ø10, ø12, ø16

**Specifications**

Operating fluid		Air, Water <sup>NOTE 1)</sup>	
Max. operating pressure		145psi (1.0MPa)	
Max. operating vacuum pressure		1.3KPa (10 Torr)	
Proof pressure		435psi (3.0MPa)	
Ambient and fluid temperature		32 to 140[F (0 to 60[C]), Water: 40 to 105[F (50 to 40[C])	
Thread	Inch	Thread Portion	ANSIB2-1
		Nut	JIS B 0208
	Metric	Thread Portion	JIS B 0203 (Taper pipe thread)
		Nut	JIS B 02112 Class 2 (Metric fine thread)
Sealant (Thread portion)		Inch Metric	With sealant With sealant or none

Note1) Applicable for general industry water. Consult P/A if using for other kinds of fluid.  
Surge pressure must be under the max. operating pressure.

**Principal Element Material**

Body	C3604, PBT, PP
Stud	C3604BD (Thread portion)
Chuck	Stainless Steel (SUS304)
Guide	Stainless Steel (SUS304), C3604BD, POM
Collet	POM
Release button	POM
Packing, O-ring	NBR

# Series KQ2

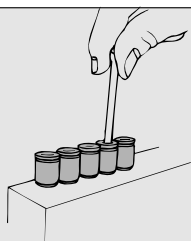
# One-touch Fittings

**Hexagon socket head male connector**

**KQ2S** P. 25-26



Internal hex allows thread connection by using an allen wrench, for confined space.

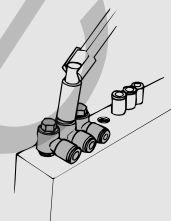


**Universal male elbow**

**KQ2V** P. 42



Universal male elbow allows thread connection by using a socket wrench for confined space.

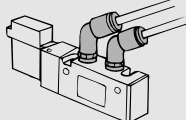


**45° male elbow**

**KQ2K** P. 41



used in applications where a 45° elbow or male connector stresses the tubing.

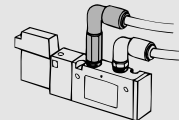


**Extended male elbow**

**KQ2W** P. 30-31



The most appropriate use is when the elbow extends over a standard elbow for ease of connection/disconnection of tubing.

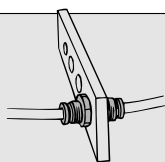


**Bulkhead union**

**KQ2E** P. 38



Used to connect two tubes through a panel.

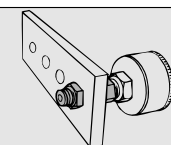


**Bulkhead connector**

**KQ2E** P. 39

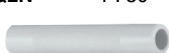


The best use is for connection of a gauge through a panel.

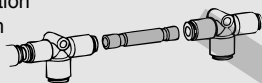


**Nipple**

**KQ2N** P. 50



Used for connection of two One-touch fittings.

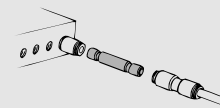


**Reducer nipple**

**KQ2N** P. 50



Used for connection of two One-touch fitting that are different tube O.D.s.



**Male connector**

**KQ2H** P. 24-25



Use to pipe in the same direction from female threaded portion. Most general type.

**Male elbow**

**KQ2L** P. 27-28



Use to pipe in right angle to female threaded portion. Most general type.

**Branch tee**

**KQ2T** P. 31-32



Use to branch line from female thread of both side 90° direction.

**Female union**

**KQ2F** P. 40



Use to pipe from male thread portion such as pressure gauge.

**Union elbow**

**KQ2L** P. 28



Use to connect tubes in right angle.

**Union tee**

**KQ2T** P. 33



Use to branch connection of tubes of both side 90° direction.

**Straight union**

**KQ2H** P. 26



Use to connect tubes in the same direction.

**Plug-in elbow**

**KQ2L** P. 29



Use to change by 90° in a tube fetching direction from One-touch fittings.

**Different dia.tee**

**KQ2T** P. 48



Use to branch connection of tubes with size down in both side 90° direction.

**Different dia. straight**

**KQ2H** P. 40



Use to connect different size tubes.

**Reducer elbow**

**KQ2L** P. 29



Use to change by 90° in tube fetching direction from One-touch fittings and to size down.

**Male run tee**

**KQ2Y** P. 33-34



Use to branch line in the same direction from female thread and in 90° direction.



# One-touch Fittings

# Series KQ2

<p>Hexagon socket head universal male elbow <b>KQ2VS</b> P. 42-43</p>  <p>Hex on the top allows thread connection by using an allen wrench, for confined space.</p>	<p>Triple branch universal male elbow <b>KQ2ZT</b> P. 47</p>  <p>Used for six branch piping in right angle from the female thread. Three individual parts rotate 360°.</p>	<p>Union "Y" <b>KQ2U</b> P. 35</p>  <p>Use to branch connection of tubes in the same direction.</p>
<p>Branch union <b>KQ2LU</b> P. 51</p>  <p>Used for branch connection in right angle from the female thread.</p>	<p>Branch union elbow <b>KQ2LU</b> P. 52</p>  <p>Used for branch connection of tubes in right angle.</p>	<p>Different dia. union "Y" <b>KQ2U</b> P. 48</p>  <p>Use to branch connection of tubes with size down in the same direction.</p>
<p>Universal female elbow <b>KQ2VF</b> P. 43</p>  <p>Used for branch line in the same direction or in right angle from the male or female thread. Multiplex connection possible.</p>	<p>Extended plug-in elbow <b>KQ2W</b> P. 52</p>  <p>The most appropriate use is when the elbow extends over a standard elbow for ease of connection/disconnection of tubing.</p>	<p>Plug-in "Y" <b>KQ2U</b> P. 36</p>  <p>Use to branch tubing in the same direction from one-touch fittings.</p>
<p>Female elbow <b>KQ2LF</b> P. 44</p>  <p>Used to pipe the tube in the right angle from the male elbow.</p>	<p>Delta union <b>KQ2D</b> P. 52</p>  <p>Used for two branch piping in the right angle from the female thread.</p>	<p>Branch "Y" <b>KQ2U</b> P. 36-37</p>  <p>Use to branch line in the same direction from female thread.</p>
<p>Double universal male elbow <b>KQ2VD</b> P. 44-45</p>  <p>Used for branch piping in the right angle from the female thread. Two individual parts rotate 360°.</p>	<p>Delta <b>KQ2D</b> P. 53</p>  <p>Used for three branch connection of tubes in the right angle.</p>	<p>Plug-in reducer <b>KQ2R</b> P. 35</p>  <p>Use to change size of One-touch fittings.</p>
<p>Triple universal male elbow <b>KQ2VT</b> P. 45</p>  <p>Used for branch piping in the right angle from the female thread. Three individual parts rotate 360°.</p>	<p>Delta branch <b>KQ2UD</b> P. 53</p>  <p>Used for four branch piping in the same direction from the female thread.</p>	<p>Bulkhead union elbow <b>KQ2LE</b> P. 49</p>  <p>Used to connect two tubes through a panel changing by 90° in a tube fetching direction.</p>
<p>Branch universal male elbow <b>KQ2Z</b> P. 46</p>  <p>Hexagonal head allows thread connection by using a box wrench. Used for branch connection.</p>	<p>Different dia. double union "Y" <b>KQ2UD</b> P. 54</p>  <p>Used for four branch connection of tubes in the same direction reducing the size of tubes.</p>	<p>Adaptor <b>KQ2N</b> P. 49</p>  <p>Used to connect the fitting and R (PT) female thread.</p>
<p>Branch universal female elbow <b>KQ2ZF</b> P. 51</p>  <p>Used for branch line in the same direction or in right angle from the male or female thread. Multiplex connection possible.</p>	<p>Different dia. plug-in "Y" <b>KQ2X</b> P. 49</p>  <p>Used for branch connection from the fitting reducing the size of tubes.</p>	<p>Tube cap <b>KQ2C</b> P. 50</p>  <p>Used to plug the unused tube.</p>
<p>Double branch universal male elbow <b>KQ2ZD</b> P. 46-47</p>  <p>Used for four branch connection in the right angle from the female thread. Two individual parts rotate 360°.</p>	<p>Double plug-in "Y" <b>KQ2XD</b> P. 53</p>  <p>Used for four branch connection from the fitting.</p>	<p>Color cap <b>KQ2C</b> P. 54</p>  <p>Mounted on the release button corresponding to its applications. Distinguished by color.</p>
<p>Cross union <b>KQ2TW</b> P. 51</p>  <p>Used for four branch connections 90° apart.</p>	<p>Plug <b>KQ2P</b> P. 39</p>  <p>Use to shut unused One-touch fittings.</p>	

# Series KQ2

# One-touch Fittings

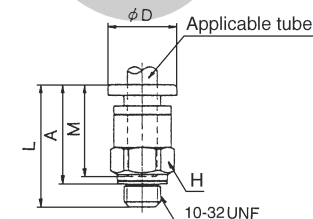
## Male connector: KQ2H Inch



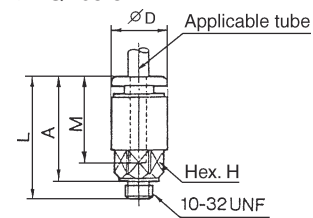
Applicable tube O.D. (inch)	Thread UNF NPT	Part No.	H (Hex.)	øD	L	A	M	Min. hole dia.	Weight (g)
1/8	10-32UNF	KQ2H01-32	7	7	16.7	13.7	12.7	2.3	2
	1/16	KQ2H01-33S	11.11	—	22	18*	15.5	2.5	7
	1/8	KQ2H01-34S	—	—	—	—			9
	1/4	KQ2H01-35S	14.29	—	19.5	13.5*			16
5/32	10-32UNF	KQ2H03-32	8	8	17	14	12.7	2.3	2.4
	1/16	KQ2H03-33S	11.11	—	22	18*	16	3	7
	1/8	KQ2H03-34S	—	—	—	—			9
	1/4	KQ2H03-35S	14.29	—	19.5	13.5*			16
3/16	10-32UNF	KQ2H05-32	8	11	24	20.4	16.5	2.3	6
	1/8	KQ2H05-34S	12.7	—	22	18*			11
	1/4	KQ2H05-35S	14.29	—	21	15*			12
1/4	10-32UNF	KQ2H07-32	11.11	10.3	18.4	15.4	13.6	2.3	3.3
	1/8	KQ2H07-34S	14.29	—	22.5	18.5*	17	4.6	10
	1/4	KQ2H07-35S	—	—	23	17*			15
	3/8	KQ2H07-36S	17.46	—	—	16.5*			27
5/16	1/8	KQ2H09-34S	14.29	—	28.5	24.5*	18.5	6	15
	1/4	KQ2H09-35S	—	—	26.5	20.5*			16
	3/8	KQ2H09-36S	17.46	—	22	15.5*			24
3/8	1/8	KQ2H11-34S	—	—	30.5	26.5*	21	7	29
	1/4	KQ2H11-35S	17.46	—	33.5	27.5*			31
	3/8	KQ2H11-36S	—	—	29	22.5*			29
	1/2	KQ2H11-37S	22.23	—	26.5	18.5*			46
1/2	1/4	KQ2H13-35S	—	—	34.5	28.5*	22	9.6	9
	3/8	KQ2H13-36S	22.23	—	33	26.5*			44
	1/2	KQ2H13-37S	—	—	30	22*			44

\*Reference dimensions after NPT thread installation. Note) øD: max. diameter

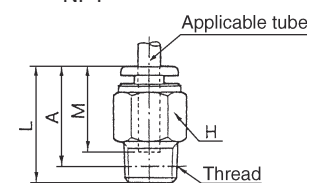
KQH (01-32, 03-32, 07-32)



KQH05-32



NPT



## KQ2H Metric

Applicable tube O.D. (mm)	Thread R(PT)	Part No.	H (Hex.)	øD	L	A*	M	Effective orifice(mm²)		Weight (g)
								Nylon	Urethane	
3.2	M5 × 0.8	KQ2H23-M5	7	7	16.7	13.6	12.7	3.4	2.9	2
	1/8	KQ2H23-01S	10	—	22	18	15.5			9
	1/4	KQ2H23-02S	14	—	19.5	13.5	16			
4	M5 × 0.8	KQ2H04-M5	8	8	17	13.9	12.7	4	4	2.4
	M6 × 1.0	KQ2H04-M6	8	—	18	—	16	5.6	5.6	2.5
	1/8	KQ2H04-01S	10	—	22	18				9
	1/4	KQ2H04-02S	14	—	19.5	13.5				16
6	M5 × 0.8	KQ2H06-M5	10	10	17.8	14.7	13.5	4	4	3.3
	M6 × 1.0	KQ2H06-M6	10		19	14.9				3.4
	1/8	KQ2H06-01S	12	—	22.5	18.5	17	13.1	13.1	16
	1/4	KQ2H06-02S	14	—	23	17				14
	3/8	KQ2H06-03S	17	—	22	15.5				27
8	1/8	KQ2H08-01S	14	—	28	24	18.5	26.1	18.0	21
	1/4	KQ2H08-02S			26.5	20.5				19
	3/8	KQ2H08-03S			17	—				22
10	1/8	KQ2H10-01S	17	—	30	26	21	41.5	29.5	19
	1/4	KQ2H10-02S			33.5	27.5				30
	3/8	KQ2H10-03S			29	22.5				30
	1/2	KQ2H10-04S			27	19				53
12	1/4	KQ2H12-02S	19	—	34.5	28.5	22	58.3	46.1	42
	3/8	KQ2H12-03S			30	23.5				34
	1/2	KQ2H12-04S			22	—				22
16	3/8	KQ2H16-03S	24	25.7	39.5	33	25	81	(81)	61
	1/2	KQ2H16-04S			35.5	27.5				113

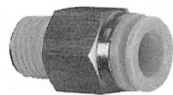
\*Reference dimensions after R(PT) thread installation. Note) ( ): Values for soft nylon, øD: max. diameter



One-touch Fittings

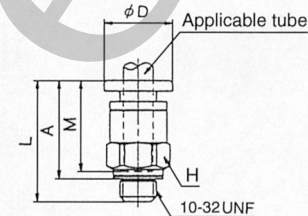
Series KQ2

Male connector KQ2H Inch-size tube/metric thread (formerly IQ)

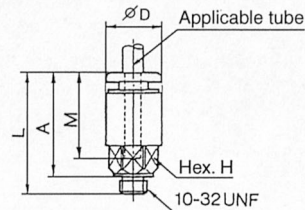


Applicable tube O.D. (Inch)	Thread M R(PT)	Part No.	H (Hex.)	øD	L	A*	M	Min. hole dia.	Weight (g)	
1/8	M5X0.8	KQ2H01-M5	7	7	16.7	13.6	12.7	2.5	2	
	1/8	KQ2H01-01S	10	—	22	18	15.5		9	
	1/4	KQ2H01-02S	14	—	19.5	13.5			16	
3/16	M5X0.8	KQ2H05-M5	10.7	—	24	20.5	16.5	2.5	6	
	1/8	KQ2H05-01S	11	—	22	18		3.5	11	
	1/4	KQ2H05-02S	14	—	21	15			12	
1/4	M5X0.8	KQ2H07-M5	11	10.3	18.4	15.3	13.6	2.5	3.3	
	1/8	KQ2H07-01S	14	—	22.5	18.5		17	4.6	10
	1/4	KQ2H07-02S	14	—	23	17			15	
5/16	3/8	KQ2H07-03S	17	—	23	16.5	18.5		6	27
	1/8	KQ2H09-01S	14	—	28	24		15		
	1/4	KQ2H09-02S	14	—	26.5	20.5		16		
3/8	3/8	KQ2H09-03S	17	—	22.5	15.5	21	7	24	
	1/4	KQ2H11-02S	17	—	33.5	27.5			31	
	3/8	KQ2H11-03S	17	—	29	22.5			29	
1/2	1/2	KQ2H11-04S	22	—	27	19	22	9.6	46	
	1/4	KQ2H13-02S	22	—	34.5	28.5			9	
	3/8	KQ2H13-03S	22	—	33.5	27			44	
	1/2	KQ2H13-04S	22	—	30	22				

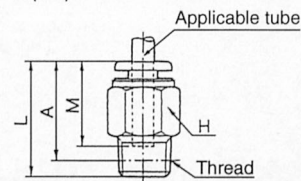
KQ2H (01-M5, 07-M5)



KQ2H05-M5



R(PT)



Hexagon socket head male connector: KQ2S Inch



Applicable tube O.D. (Inch)	UNF NPT	Part No.	H (Hex.)	øD	L	A*	M	Weight (g)
1/8	10-32UNF	KQ2S01-32	2	7	19.7	16.6	12.7	2
	10-32UNF	KQ2S03-32	2.5	8	18.7	15.6	12.7	2.3
5/32	1/8	KQ2S03-34S	2.78	10.5	23.5	19.5	16	2.8
	1/8	KQ2S05-34S	3.57	10.7	23.5	19.5	16.5	3.6
1/4	10-32UNF	KQ2S07-32	2.5	10.3	19.6	16.5	13.6	2.3
	1/8	KQ2S07-34S	4.76	12.5	22	18	17	4.9
	1/4	KQ2S07-35S		13.8	23	17		
3/8	KQ2S07-36S	17		27	21			
5/16	1/8	KQ2S09-34S	5.56	14	28	24	18.5	5.7
	1/4	KQ2S09-35S	6.35		25.5	19.5		6.5
	3/8	KQ2S09-36S			17.5	27.5		21
3/8	1/8	KQ2S11-34S	5.56	16.5	30	26	21	5.7
	1/4	KQ2S11-35S	6.35	16.5	32	26	21	6.5
	3/8	KQ2S11-36S		17.2	29	23		
	1/2	KQ2S11-37S		21.3	30	22		
1/4	KQ2S13-35S	7.94		20	34.5	28.5		
1/2	3/8	KQ2S13-36S	9.53	20	33	26.5	22	9.6
	1/2	KQ2S13-37S			21.3	31		

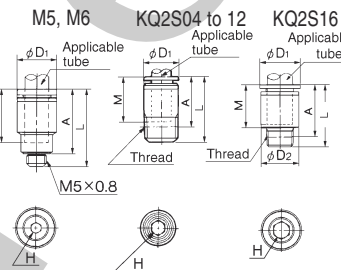
# Series KQ2

# One-touch Fittings

## Hexagon socket head male connector: KQ2S Metric



Applicable tube O.D. (mm)	Thread R(PT)	Part No.	H (Hex.)	øD1	øD2	L	A*	M	Effective orifice(mm <sup>2</sup> )		Weight (g)
									Nylon	Urethane	
4	M5×0.8	KQ2S04-M5	2.5	8	-	18.7	15.6	12.7	2.7	2.7	2.7
	M6×1.0	KQ2S04-M6	3			18.2	14.1		2.8		
	1/8	KQ2S04-01S	3	9.8	23	19	16	4.1	3.6	8	
6	M5×0.8	KQ2S06-M5	2.5	10	-	19.5	16.4	13.5	2.7	2.7	3.3
	M6×1.0	KQ2S06-M6	3			19.1	15		3.4		
	1/8	KQ2S06-01S	4	11.8	24	20	17	10.0	9.9	9	
	1/4	KQ2S06-02S	4	13.8	24	20	17	10.7	10.0	15	
8	1/8	KQ2S08-01S	5	14	-	28	24	18.5	23.3	16.2	12
	1/4	KQ2S08-02S	6			25.5	19.5				11
	3/8	KQ2S08-03S	6	17	27.5	21	24				
10	1/8	KQ2S10-01S	5	17	-	30	26	21	39.0	26.6	18
	1/4	KQ2S10-02S	8			27.5	21.5				12
	3/8	KQ2S10-03S	8	22	28	20	19				
	1/2	KQ2S10-04S	8	22	28	20	35				
12	1/4	KQ2S12-02S	8	19	-	33.5	27.5	22	46.0	44.5	23
	3/8	KQ2S12-03S	10			29	22.5		18		
	1/2	KQ2S12-04S	10	22	28	20	30				
16	3/8	KQ2S16-03S	10	25.7	24	39	32.5	25	81	(81)	42
	1/2	KQ2S16-04S	12			35	27		113		(96)

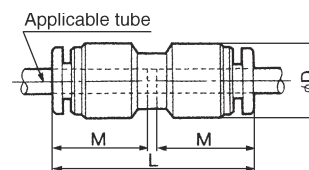


\*Reference dimensions after R(PT) thread installation.  
Note) ( ): Values for soft nylon, øD1: max. diameter

## Straight union: KQ2H Inch



Applicable tube O.D. (inch)	Part No.	øD	L	M	Min. hole dia.	Weight (g)
1/8	KQ2H01-00	9.6	31.5	15.5	2.5	3
5/32	KQ2H03-00	10.4	32.5	16	3	3
3/16	KQ2H05-00	11.4	34	16.5	3.5	4
1/4	KQ2H07-00	13.2	34.5	17	4.6	5
5/16	KQ2H09-00	15.2	38.5	18.5	6	7
3/8	KQ2H11-00	17.9	42.5	21	7	11
1/2	KQ2H13-00	21.7	44.5	22	9.6	16



Note) øD: max. diameter

## KQ2H Metric

Applicable tube O.D (mm)	Part No.	øD	L	M	Effective orifice(mm <sup>2</sup> )		Weight (g)
					Nylon	Urethane	
3.2	KQ2H23-00	9.6	31.5	15.5	3.4	2.9	3
4	KQ2H04-00	10.4	32.5	16	5.6	5.6	3
6	KQ2H06-00	12.8	34.5	17	13.1	13.1	5
8	KQ2H08-00	15.2	38.5	18.5	26.1	18.0	7
10	KQ2H10-00	18.5	42.5	21	41.5	29.5	11
12	KQ2H12-00	20.9	44.5	22	58.3	46.1	14
16	KQ2H16-00	26.5	51	25	113	(96)	24

Note) ( ): Values for soft nylon.  
øD: max. diameter

One-touch Fittings

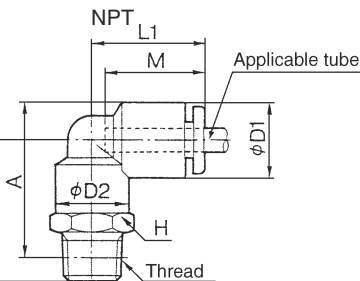
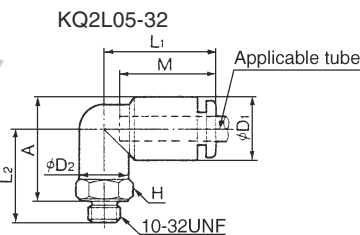
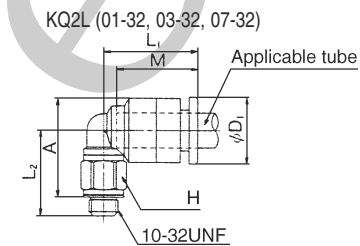
Series KQ2

Male elbow: KQ2L Inch



Applicable tube O.D. (inch)	Thread UNF NPT	Part No.	H (Hex.)	øD1	øD2	L1	L2	A	M	Min. hole dia.	Weight (g)			
1/8	10-32UNF	KQ2L01-32	7	8.4	—	15.3	13.2	14.4	12.7	2.3	2.5			
	1/16	KQ2L01-33S	11.11	9.6	10	17.5	21.5	22.5*	15.5	2.5	8			
	1/8	KQ2L01-34S	14.29									25.5	24.5*	18
	1/4	KQ2L01-35S	14.29											
5/32	10-32UNF	KQ2L03-32	7	9.3	—	15.6	13.7	15.4	12.7	2.3	2.7			
	1/16	KQ2L03-33S	11.11	10.4	10	18	22	23*	16	3	8			
	1/8	KQ2L03-34S	14.29									26	25*	18
	1/4	KQ2L03-35S	14.29											
3/16	10-32UNF	KQ2L05-32	11.11	11.4	10	19.5	20	22	16.5	2.3	5			
	1/8	KQ2L05-34S	14.29									22.5	24*	10
	1/4	KQ2L05-35S	14.29											
1/4	10-32UNF	KQ2L07-32	7	12	—	16.1	15.1	18.1	13.6	2.3	3.2			
	1/8	KQ2L07-34S	11.11	13.2	10	20.5	27.5	28*	17	4.6	10			
	1/4	KQ2L07-35S	14.29									29.5	30*	32
	3/8	KQ2L07-36S	17.46											
5/16	KQ2L09-34S	12.7	15.2									12	23.5	28.5
1/4	KQ2L09-35S	14.29		30.5	31.5*	28								
3/8	KQ2L09-36S	17.46												
3/8	1/8	KQ2L11-34S	11.11	17.9	17	25.5	26.5	31.5*	21	6	16			
	1/4	KQ2L11-35S	14.29									29.5	32.5*	23
	3/8	KQ2L11-36S	17.46											
	1/2	KQ2L11-37S	17.46											
1/2	1/4	KQ2L13-35S	11.11	21.7	17	28	31.5	36.5*	22	9	28			
	3/8	KQ2L13-36S	14.29									33.5	38.5*	36
	1/2	KQ2L13-37S	22.23											

\* Reference dimensions after NPT thread installation.  
Note) øD1: max. diameter



KQ2L Metric

Applicable tube O.D. (mm)	Thread R(PT)	Part No.	H (Hex.)	øD1	øD2	L1	L2	A*	M	Effective orifice(mm <sup>2</sup> )		Weight (g)			
										Nylon	Urethane				
3.2	M5×0.8	KQ2L23-M5	7	8.4	—	15.3	13.2	14.3	12.7	3	2.5	2.5			
	1/8	KQ2L23-01S	10	9.6	10	17.5	21.5	22.5	15.5				8		
	1/4	KQ2L23-02S	14	25.5	24.5	18									
4	M5×0.8	KQ2L04-M5	7	9.3	—	15.6	13.7	15.3	12.7	3.5	3.5	2.7			
	M6×1.0	KQ2L04-M6	8	12.7	—	15.6	14.7	15.3	12.7	4.2	4.2	10			
	1/8	KQ2L04-01S	10	10.4	10	18	22	23	16				19		
	1/4	KQ2L04-02S	14	26	25	19									
6	M5×0.8	KQ2L06-M5	7	11.6	—	16.1	14.7	17.4	13.5	3.5	3.5	3.2			
	M6×1.0	KQ2L06-M6	8	13.5	—	16.1	15.7	17.4	13.5	—	—	—			
	1/8	KQ2L06-01S	10	12.8	10	20	23	25.5	17	11.4	11.4	12			
	1/4	KQ2L06-02S	14										27	27.5	22
3/8	KQ2L06-03S	17	29												
8	1/8	KQ2L08-01S		12	15.2	12	23	24.5	28	18.5	21.6	14.9	13		
	1/4	KQ2L08-02S	14	28.5										30	21
	3/8	KQ2L08-03S	17												
10	1/8	KQ2L10-01S	11.11	18.5	17	26.5	27	32	21	21.6	14.9	25			
	1/4	KQ2L10-02S	14.29										30	33	26
	3/8	KQ2L10-03S	17.46												
	1/2	KQ2L10-04S	22.23										36	37	63
12	1/4	KQ2L12-02S	11.11	20.9	17	28.5	31	35.5	22	50.2	39.7	28			
	3/8	KQ2L12-03S	14.29										33	37	38
	1/2	KQ2L12-04S	22.23												
16	3/8	KQ2L16-03S	11.11	26.5	20.9	34	38	44.5	25	71	(71)	101			
	1/2	KQ2L16-04S	22.23										41	46	100

\*Reference dimensions after R(PT) thread installation.  
Note) ( ): Values for soft nylon.  
øD1: max. diameter



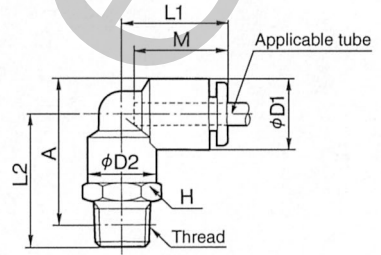
# Series KQ2

# One-touch Fittings

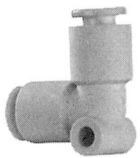
## Male elbow: KQ2L Inch size tube/metric thread (formerly IQ)



Applicable tube O.D. (inch)	Thread R(PT)	Part No.	H (Hex.)	øD1	øD2	L1	L2	A*	M	Min. hole dia.	Weight (g)
3/16	1/8	KQ2L05-01S	10	11.4	10	19.5	22.5	24	16.5	3.5	10
	1/4	KQ2L05-02S	14				26.5	26			19
1/4	1/8	KQ2L07-01S	10	13.2	10	20.5	23.5	26	17	4.6	10
	1/4	KQ2L07-02S	14				27.5	28			20
	3/8	KQ2L07-03S	17				29.5	29.5			32
5/16	1/8	KQ2L09-01S	12	15.2	12	23.5	24.5	28	18.5	6	12
	1/4	KQ2L09-02S	14				28.5	30			20
	3/8	KQ2L09-03S	17				30.5	31.5			28
3/8	1/4	KQ2L11-02S	17	17.9	17	25.5	29.5	32.5	21	7	23
	3/8	KQ2L11-03S	22				31.5	34			33
	1/2	KQ2L11-04S	22				35.5	36.5			59
1/2	1/4	KQ2L13-02S	17	21.7	17	28	31.5	36.5	22	9.6	28
	3/8	KQ2L13-03S	22				33.5	38.5			36
	1/2	KQ2L13-04S	22				37.5	40			62

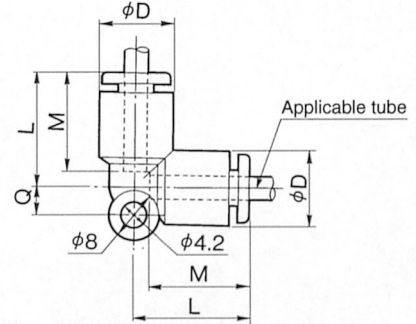


## Union elbow: KQ2L Inch



Applicable tube O.D. (inch)	Part No.	øD	L	Q	M	Min. hole dia.	Weight (g)
1/8	KQ2L01-00	9.6	17.5	4.3	15.5	2.5	3
5/32	KQ2L03-00	10.4	18	4.5	16	3	4
3/16	KQ2L05-00	11.4	19.5	4.8	16.5	3.5	5
1/4	KQ2L07-00	13.2	20.5	5.3	17	4.6	6
5/16	KQ2L09-00	15.2	23	6	18.5	6	8
3/8	KQ2L11-00	17.9	26	6.6	21	7	13
1/2	KQ2L13-00	21.7	29	7.8	22	9.6	18

Note) øD: max. diameter



## KQ2L Metric

Applicable tube O.D. (mm)	Part No.	øD	L	Q	M	Effective orifice(mm <sup>2</sup> )		Weight (g)
						Nylon	Urethane	
3.2	KQ2L23-00	9.6	17.5	4.3	15.5	3	2.5	3
4	KQ2L04-00	10.4	18	4.5	16	4.2	4.2	6
6	KQ2L06-00	12.8	20	5.3	17	11.4	11.4	7
8	KQ2L08-00	15.2	23	6	18.5	21.6	14.9	11
10	KQ2L10-00	18.5	26.5	6.8	21	35.2	25.0	17
12	KQ2L12-00	20.9	28.5	7.5	22	50.2	39.7	21
16	KQ2L16-00	26.5	34	10	25	100	(84)	29

Note) ( ): Values for soft nylon. øD: max. diameter

One-touch Fittings

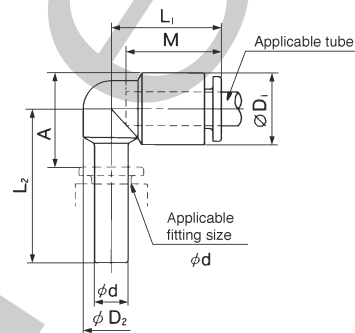
Series KQ2

Plug-in elbow: KQ2L Inch



Applicable tube O.D. (inch)	Applicable fitting size $\phi d$ (inch)	Part No.	$\phi D_1$	$\phi D_2$	L1	L2	A	M	Min. hole dia.	Weight (g)
1/8	1/8	KQ2L01-99	9.6	7	17	24.5	14	15	2.2	3
5/32	5/32	KQ2L03-99	10.4	8	18	25	14.5	16	2.5	3
3/16	3/16	KQ2L05-99	11.4	10	19.5	34	23.5	16.5	3.5	7
1/4	1/4	KQ2L07-99	13.2	10	20	27.5	17.5	17	4.6	8
5/16	5/16	KQ2L09-99	15.2	12	22.5	31.5	21	18.5	6	6
3/8	3/8	KQ2L11-99	17.9	17	25.5	42	30	21	7	19
1/2	1/2	KQ2L13-99	21.7	17	28	44.5	34	22	9.6	27

Note)  $\phi D_1$ : max. diameter



KQ2L Metric

Applicable tube O.D. (mm)	Applicable fitting size $\phi d$	Part No.	$\phi D_1$	$\phi D_2$	L1	L2	A	M	Effective orifice (mm <sup>2</sup> )		Weight (g)
									Nylon	Urethane	
3.2	3.2	KQ2L23-99	9.6	7	17	24.5	14	15.5	3	2.5	2
4	4	KQ2L04-99	10.4	8	18	25	14.5	16	4.2	4.2	3
6	6	KQ2L06-99	12.8	10	20	27.5	17	17	11.4	11.4	3
8	8	KQ2L08-99	15.2	12	22.5	31.5	21	18.5	21.6	14.9	5
10	10	KQ2L10-99	18.5	14	25.5	35.5	23.5	21	35.2	25.0	9
12	12	KQ2L12-99	20.9	16	27	37.5	26	22	50.2	39.7	10
16	16	KQ2L16-99	26.5	20.9	34	53	41	25	100	(84)	42

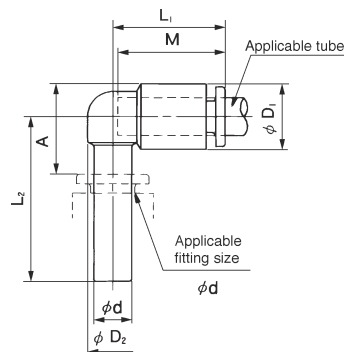
Note) ( ): Values for soft nylon.  
 $\phi D_1$ : max. diameter

Reducer elbow: KQ2L Inch



Applicable tube O.D. (inch)	Applicable fitting size $\phi d$ (inch)	Part No.	$\phi D_1$	$\phi D_2$	L1	L2	A	M	Min. hole dia.	Weight (g)
1/8	5/32	KQ2L01-03	9.6	7	17	25	13.5	15.5	2.2	3
	3/16	KQ2L01-05		10	17.5	33	21.5		2.5	7
5/32	3/16	KQ2L03-05	10.4	10	18	33.5	22.5	16	3	6
	1/4	KQ2L03-07		8	26	14.5	2.5		3	
3/16	1/4	KQ2L05-07	11.4	10	19.5	34.5	23.5	16.5	3.5	8
	5/16	KQ2L05-09		35.5	23	11				
1/4	5/16	KQ2L07-09	13.2	10	20.5	36.5	24.5	17	4.6	12
	3/8	KQ2L07-11		37.5	23.5	17				
5/16	3/8	KQ2L09-11	15.2	12	23.5	40.5	27.5	18.5	6	17
	1/2	KQ2L09-13		41.5	27.5	18.5	30			
3/8	1/2	KQ2L11-13	17.9	17	25.5	43	30	21	7	25

Note)  $\phi D_1$ : max. diameter



KQ2L Metric

Applicable tube O.D. (mm)	Applicable fitting size $\phi d$	Part No.	$\phi D_1$	$\phi D_2$	L1	L2	A	M	Effective orifice (mm <sup>2</sup> )		Weight (g)
									Nylon	Urethane	
3.2	4	KQ2L23-04	9.6	7	17	25	13.5	15.5	3	2.5	2
4	6	KQ2L04-06	10.4	8	18	26	14.5	16	4.2	4.2	3
	8	KQ2L04-08		10	35	22	11				
6	8	KQ2L06-08	12.8	10	20	36.5	24.5	17	11.4	11.4	12
	10	KQ2L06-10		38.5	24	19					
8	10	KQ2L08-10	15.2	12	23	39.5	26	18.5	21.6	14.9	20
	12	KQ2L08-12		40.5	26	27					
10	12	KQ2L10-12	18.5	17	26.5	42	30	21	35.2	25.0	29
12	16	KQ2L12-16	20.9	17	28.5	49.5	34.5	22	50.2	39.7	53

Note)  $\phi D_1$ : max. diameter

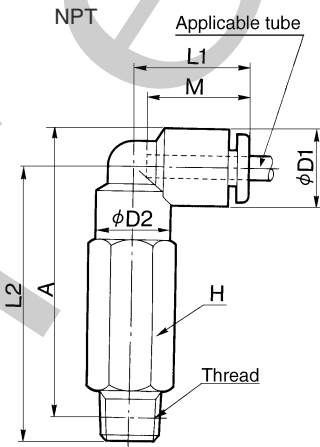
# Series KQ2

# One-touch Fittings

## Extended male elbow: KQ2W Inch



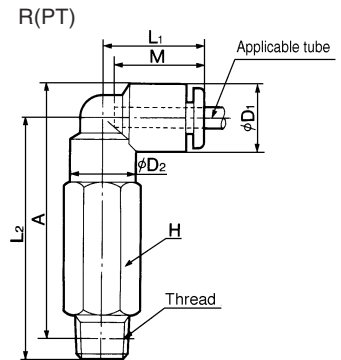
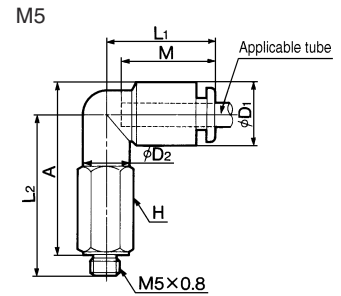
Applicable tube O.D. (inch)	Thread NPT	Part No.	H (Hex.)	øD1	øD2	L1	L2	A*	M	Min. hole dia.	Weight (g)
1/8	1/8	KQ2W01-34S	11.11	9.6	10	17.5	37	38	15.5	2.5	19
	1/4	KQ2W01-35S	14.29				43	42			41
5/32	1/8	KQ2W03-34S	11.11	10.4	10	18	37.5	38.5	16	3	19
	1/4	KQ2W03-35S	14.29				43.5	42.5			41
3/16	1/8	KQ2W05-34S	11.11	11.4	10	19.5	38	40	16.5	3.5	41
	1/4	KQ2W05-35S	14.29				44	43.5			19
1/4	1/8	KQ2W07-34S	11.11	13.2	10	20.5	40.5	43	17	4.6	20
	1/4	KQ2W07-35S	14.29				46.5	47			42
	3/8	KQ2W07-36S	17.46				48.5	49			69
5/16	1/8	KQ2W09-34S	12.7	15.2	12	23.5	43.5	47	18.5	6	30
	1/4	KQ2W09-35S	14.29				49.5	51			47
	3/8	KQ2W09-36S	17.46				51.5	53			74
3/8	1/4	KQ2W11-35S	17.46	17.9	17	25.5	56	59	21	7	69
	3/8	KQ2W11-36S	17.46				58	61			76
	1/2	KQ2W11-37S	22.23				64.5	65.5			147
1/2	1/4	KQ2W13-35S	17.46	21.7	17	28	58	63	22	9	72
	3/8	KQ2W13-36S	17.46				60	64.5			78
	1/2	KQ2W13-37S	22.23				66.5	69			149



\* Reference dimensions after NPT thread installation. Note) øD1: max. diameter

## KQ2W Metric

Applicable tube O.D. (mm)	Thread R(PT)	Part No.	H (Hex.)	øD1	øD2	L1	L2	A*	M	Effective orifice (mm <sup>2</sup> )		Weight (g)
										Nylon	Urethane	
3.2	M5×0.8	KQ2W23-M5	8	9.6	10	17.5	30	31	15.5	2.8	2.4	10
	1/8	KQ2W23-01S	10				37	38				19
	1/4	KQ2W23-02S	14				43	42				41
4	M5×0.8	KQ2W04-M5	8	10.4	10	18	30	32	16	3.0	3.0	11
	1/8	KQ2W04-01S	10				37.5	38.5				23
	1/4	KQ2W04-02S	14				43.5	42.5				38
6	M5×0.8	KQ2W06-M5	8	12.8	10	20	30.5	33.5	17	3	3	11
	1/8	KQ2W06-01S	10				40	42.5				26
	1/4	KQ2W06-02S	14				46	46.5				41
8	1/8	KQ2W08-01S	12	15.2	12	23	43.5	47	18.5	10.9	10.9	67
	1/4	KQ2W08-02S	14				49.5	51				30
	3/8	KQ2W08-03S	17				51.5	52.5				74
10	1/4	KQ2W10-02S	17	18.5	17	26.5	56.5	59.5	21	33.5	23.8	66
	3/8	KQ2W10-03S	17				58.5	61				76
	1/2	KQ2W10-04S	22				65	66				145
12	1/4	KQ2W12-02S	17	20.9	17	28.5	57.5	62	22	47.7	37.7	68
	3/8	KQ2W12-03S	17				59.5	63.5				78
	1/2	KQ2W12-04S	22				66	68.5				147
16	3/8	KQ2W16-03S	22	26.5	20.9	34	69.5	76	25	71	(71)	101
	1/2	KQ2W16-04S	22				75	80				105



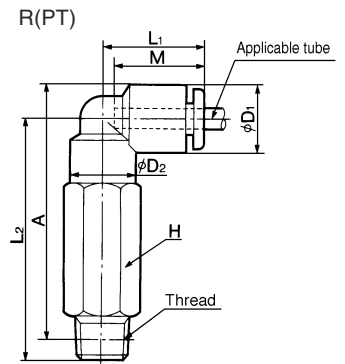
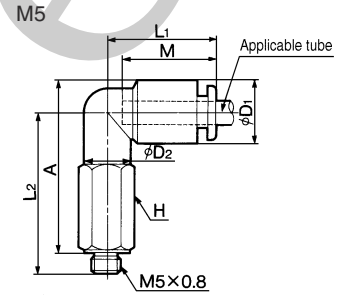
\* Reference dimensions after R(PT) thread installation. Note) ( ): Values for soft nylon. øD1: max. diameter



Extended male elbow: KQ2W Inch size tube/metric thread (formerly IQ)



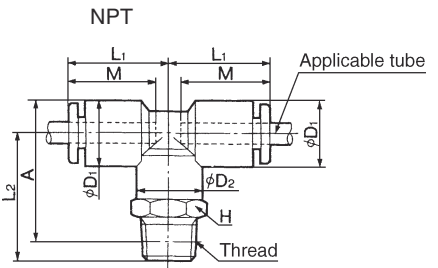
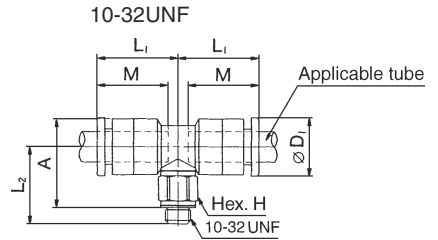
Applicable tube O.D. (mm)	Thread R(PT)	Part No.	H (Hex.)	øD1	øD2	L1	L2	A*	M	Min. hole dia.	Weight (g)
3/16	1/8	KQ2L05-01S	10	11.4	10	19.5	38	40	16.5	3.5	19
	1/4	KQ2L05-02S	14				44	43.5			41
1/4	1/8	KQ2L07-01S	10	13.2	10	20.5	40.5	43	17	4.6	20
	1/4	KQ2L07-02S	14				46.5	47			45
	3/8	KQ2L07-03S	17				48.5	49			69
5/16	1/8	KQ2L09-01S	12	15.2	12	23.5	43.5	47	18.5	6	30
	1/4	KQ2L09-02S	14				49.5	51			47
	3/8	KQ2L09-03S	17				51.5	53			74
3/8	1/4	KQ2L11-02S	17	17.9	17	25.5	56	59	21	7	69
	3/8	KQ2L11-03S					58	61			76
	1/2	KQ2L11-04S					64.5	65.5			147
1/2	1/4	KQ2L13-02S	17	21.7	17	28	58	63	22	9	72
	3/8	KQ2L13-03S					60	64.5			78
	1/2	KQ2L13-04S					66.5	69			149



Branch tee: KQ2T Inch



Applicable tube O.D. (inch)	Thread UNF NPT	Part No.	H (Hex.)	øD1	øD2	L1	L2	A	M	Min. hole dia.	Weight (g)
1/8	10-32UNF	KQ2T01-32	7	8.4	—	15.3	13.2	14.4	12.7	2.3	3.2
	1/16	KQ2T01-33S	11.11	9.6	10	17.5	21.5	22.5*	15.5	2.5	10
	1/8	KQ2T01-34S						25.5			
	1/4	KQ2T01-35S	14.29	26	25*	20					
5/32	10-32UNF	KQ2T03-32	7	9.3	—	15.6	13.7	15.4	12.7	2.3	3.5
	1/16	KQ2T03-33S	11.11	10.4	10	18	22	23*	16	3	10
	1/8	KQ2T03-34S						26			25*
	1/4	KQ2T03-35S	14.29	26	25*	20					
3/16	1/8	KQ2T05-34S	11.11	11.4	10	19.5	22.5	24*	16.5	3.5	12
	1/4	KQ2T05-35S	14.29				26.5	26*			21
1/4	10-32UNF	KQ2T07-32	7	12	—	16.1	15.1	18.1	13.6	2.3	4.4
	1/8	KQ2T07-34S	11.11	13.2	10	20.5	23.5	26*	17	4.6	12
	1/4	KQ2T07-35S						27.5			28*
	3/8	KQ2T07-36S	17.46	29.5	30*	35					
5/16	1/8	KQ2T09-34S	12.7	15.2	12	23	24.5	28*	18.5	6	16
	1/4	KQ2T09-35S	14.29				28.5	30*			24
	3/8	KQ2T09-36S	17.46				30.5	31.5*			36
3/8	1/8	KQ2T11-34S	17.46	17.9	17	25.5	26.5	31.5*	21	6	31
	1/4	KQ2T11-35S					29.5	32.5*			29
	3/8	KQ2T11-36S	31.5	34.5*	38						
	1/2	KQ2T11-37S	22.23	35.5	36.5*	64					
1/2	1/4	KQ2T13-35S	17.46	21.7	17	28	31.5	36.5*	22	9.6	34
	3/8	KQ2T13-36S					33.5	38.5*			43
	1/2	KQ2T13-37S	22.23	37.5	40*	69					



\* Reference dimensions after NPT thread installation.  
Note) øD1: max. diameter

# Series KQ2

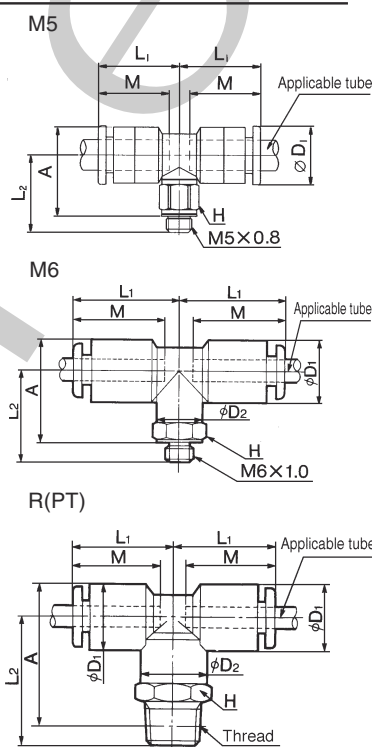
# One-touch Fittings

## Branch tee: KQ2T Metric



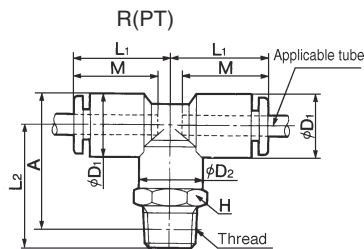
Applicable tube O.D. (mm)	Thread R(PT)	Part No.	H (Hex.)	øD1	øD2	L1	L2	A*	M	Effective orifice (mm <sup>2</sup> )		Weight (g)
										Nylon	Urethane	
3.2	M5×0.8	KQ2T23-M5	7	8.4	—	15.3	13.2	14.3	12.7	3.4	2.9	3.2
	1/8	KQ2T23-01S	10	9.6	10	17.5	21.5	22.5	15.5			10
	1/4	KQ2T23-02S	14									20
4	M5×0.8	KQ2T04-M5	7	9.3	—	15.6	13.7	15.3	12.7	4.3	4.3	3.5
	M6×1.0	KQ2T04-M6	8	10.4	10	18	22	23	16			6
	1/8	KQ2T04-01S	10									13
	1/4	KQ2T04-02S	14									19
6	M5×0.8	KQ2T06-M5	7	11.6	—	16.1	14.7	17.4	13.5	4.3	4.3	4.4
	M6×1.0	KQ2T06-M6	8	12.8	8	16.1	15.7	17.4	13.5			8
	1/8	KQ2T06-01S	10	12.8	10	20	23	25.5	17			13
	1/4	KQ2T06-02S	14									21
	3/8	KQ2T06-03S	17									35
1/8	KQ2T08-01S	12	15									
8	1/4	KQ2T08-02S	14	15.2	12	23	28.5	30	18.5	26.3	18.2	23
	3/8	KQ2T08-03S	17									37
	1/8	KQ2T10-01S	12									15
10	1/4	KQ2T10-02S	17	18.5	17	26.5	27	32	21	40.8	29.0	29
	3/8	KQ2T10-03S	17									39
	1/2	KQ2T10-04S	22									66
12	1/4	KQ2T12-02S	17	20.9	17	28.5	31	35.5	22	57.2	45.2	31
	3/8	KQ2T12-03S	17									41
	1/2	KQ2T12-04S	22									68
16	3/8	KQ2T16-03S	22	26.5	20.9	34	38	44.5	25	71	(71)	112
	1/2	KQ2T16-04S	22									116

\* Reference dimensions after R(PT) thread installation.  
 Note) ( ): Values for soft nylon.  
 øD1: max. diameter



## KQ2T Inch size tube/metric thread (formerly IQ)

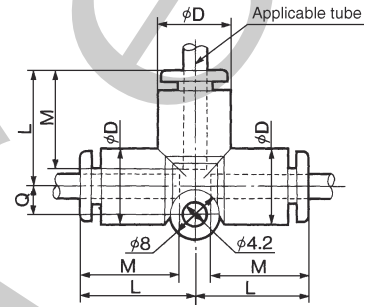
Applicable tube O.D. (inch)	Thread R(PT)	Part No.	H (Hex.)	øD1	øD2	L1	L2	A*	M	Min. hole dia.	Weight (g)
3/16	1/8	KQ2T05-01S	10	11.4	10	19.5	22.5	24	16.5	6	12
	1/4	KQ2T05-02S	14								21
1/4	1/8	KQ2T07-01S	10	13.2	10	20.5	23.5	26	17	4.6	12
	1/4	KQ2T07-02S	14								22
	3/8	KQ2T07-03S	17								35
5/16	1/8	KQ2T09-01S	12	15.2	12	23	24.5	28	18.5	6	16
	1/4	KQ2T09-02S	14								24
	3/8	KQ2T09-03S	17								36
3/8	1/4	KQ2T11-02S	17	17.9	17	25.5	29.5	32.5	21	7	29
	3/8	KQ2T11-03S	17								38
	1/2	KQ2T11-04S	22								64
1/2	1/4	KQ2T13-02S	17	21.7	17	28	31.5	36.5	22	9	34
	3/8	KQ2T13-03S	17								43
	1/2	KQ2T13-04S	22								69



Union tee: KQ2T Inch



Applicable tube O.D. (inch)	Part No.	øD	L	Q	M	Min. hole dia.	Weight (g)
1/8	KQ2T01-00	9.6	17.5	4.3	15.5	2.5	5
5/32	KQ2T03-00	10.4	18	4.5	16	3	5
3/16	KQ2T05-00	11.4	19.5	4.8	16.5	3.5	7
1/4	KQ2T07-00	13.2	20.5	5.3	17	4.6	9
5/16	KQ2T09-00	15.2	23	6	18.5	6	12
3/8	KQ2T11-00	17.9	26	6.6	21	7	18
1/2	KQ2T13-00	21.7	29	7.8	22	9.6	26



KQ2T Metric

Applicable tube O.D. (mm)	Part No.	ØD	L	Q	M	Effective orifice(mm <sup>2</sup> )		Weight (g)
						Nylon	Urethane	
3.2	KQ2T23-00	9.6	17.5	4.3	15.5	3.4	2.9	5
4	KQ2T04-00	10.4	18	4.5	16	6.4	6.4	8
6	KQ2T06-00	12.8	20	5.3	17	13.4	13.4	11
8	KQ2T08-00	15.2	23	6	18.5	25.6	17.7	16
10	KQ2T10-00	18.5	26.5	6.8	21	40	28.4	25
12	KQ2T12-00	20.9	28.5	7.5	22	57.4	45.4	29
16	KQ2T16-00	26.5	34	10	25	100	(84)	40

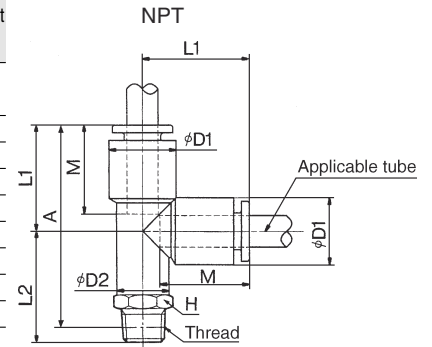
Note) ( ): Values for soft nylon.  
øD: max. diameter

Male run tee: KQ2Y Inch



Applicable tube O.D. (inch)	Thread NPT	Part No.	H (Hex.)	øD1	øD2	L1	L2	A*	M	Min. hole dia.	Weight (g)			
1/8	1/16	KQ2Y01-33S	11.11	9.6	10	17.5	21.5	35	15.5	2.5	10			
	1/8	KQ2Y01-34S												
	1/4	KQ2Y01-35S										14.29	25.5	37
5/32	1/16	KQ2Y03-33S	11.11	10.4	10	18	22	36	16	3	10			
	1/8	KQ2Y03-34S										14.29	26	38
	1/4	KQ2Y03-35S												
3/16	1/8	KQ2Y05-34S	11.11	11.4	10	19.5	22.5	38	16.5	3.5	12			
	1/4	KQ2Y05-35S										14.29	26.5	40
	1/8	KQ2Y07-34S										11.11	23.5	40
1/4	1/4	KQ2Y07-35S	14.29	13.2	10	20.5	27.5	42	17	4.6	12			
	3/8	KQ2Y07-36S										17.46	29.5	44
	1/8	KQ2Y09-34S										12.7	24.5	40
5/16	1/4	KQ2Y09-35S	14.29	15.2	12	23.5	28.5	46	18.5	6	16			
	3/8	KQ2Y09-36S										17.46	30.5	48
	1/4	KQ2Y11-35S										17.46	29.5	49
3/8	3/8	KQ2Y11-36S	17.46	17.9	17	25.5	31.5	51	21	7	29			
	1/2	KQ2Y11-37S										22.23	35.5	53
	1/4	KQ2Y13-35S										17.46	31.5	53.5
1/2	3/8	KQ2Y13-36S	22.23	21.7	17	28	33.5	55.5	22	9.6	34			
	1/2	KQ2Y13-37S										37.5	57	

\* Reference dimensions after NPT thread installation.  
Note) øD1: max. diameter





Series KQ2

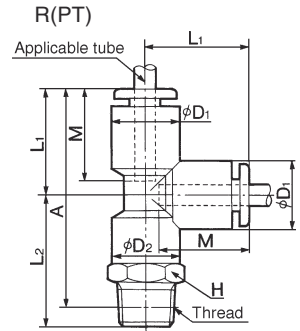
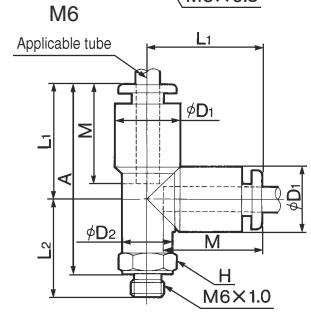
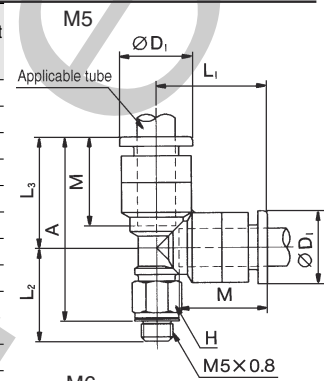
One-touch Fittings

Male run tee: KQ2Y Metric



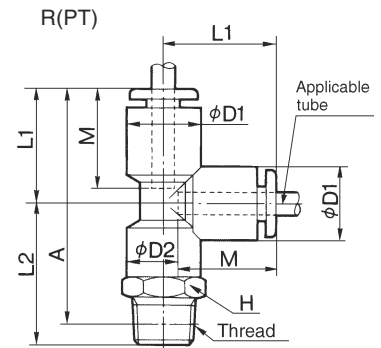
Applicable tube O.D. (mm)	Thread R(PT)	Part No.	H (Hex.)	øD1	øD2	L1	L2	L3	A*	M	Effective orifice(mm <sup>2</sup> )		Weight (g)		
											Nylon	Urethane			
3.2	M5×0.8	KQ2Y23-M5	7	8.4	—	15.4	13.2	14.8	24.9	12.7	3.4	2.9	3.2		
	1/8	KQ2Y23-01S	10	9.6	10	17.5	21.5	—	35	15.5	3.4	2.9	10		
	1/4	KQ2Y23-02S	14										25.5	37	20
4	M5×0.8	KQ2Y04-M5	7	9.3	—	15.6	13.7	14.8	25.4	12.7	4.6	4.6	3.5		
	M6×1.0	KQ2Y04-M6	8	9.3	8	15.6	14.7	—	25.4	12.7	4.6	4.6	6		
	1/8	KQ2Y04-01S	10	10.4	10	18	22	—	36	16	6.4	6.4	13		
	1/4	KQ2Y04-02S	14	10	20	26	26	—	38	17	6.4	6.4	19		
3/8	KQ2Y06-03S	17	29										42.5	35	
6	M5×0.8	KQ2Y06-M5	7	11.6	—	17.1	14.7	17.1	28.7	13.5	4.6	4.6	4.5		
	M6×1.0	KQ2Y06-M6	8	11.6	8	17.1	15.7	—	28.7	13.5	4.6	4.6	8		
	1/8	KQ2Y06-01S	10	12.8	10	20	23	—	39	17	13.4	13.4	13		
	1/4	KQ2Y06-02S	14										27	41	21
3/8	KQ2Y06-03S	17	29										42.5	35	
1/8	KQ2Y08-01S	12	24.5										43.5	15	
8	1/4	KQ2Y08-02S	14	15.2	12	23	28.5	—	45.5	18.5	25.6	17.7	23		
	3/8	KQ2Y08-03S	17	17	26.5	27	—	49.5	21	40.0	28.4	31			
	1/8	KQ2Y10-01S	12										27	43.5	15
10	1/4	KQ2Y10-02S	17	18.5	17	26.5	30	—	50.5	21	40.0	28.4	29		
	3/8	KQ2Y10-03S	17										32	52	39
	1/2	KQ2Y10-04S	22										36	54.5	66
	1/4	KQ2Y12-02S	17										31	53.5	31
12	3/8	KQ2Y12-03S	17	20.9	17	28.5	33	—	55	22	57.4	45.4	41		
	1/2	KQ2Y12-04S	22	20.9	34	38	—	65.5	25	81	(81)	112			
	3/8	KQ2Y16-03S	17										37	57.5	68
16	1/2	KQ2Y16-04S	22	26.5	20.9	34	41	—	67	25	113	(113)	116		

\* Reference dimensions after R(PT) thread installation.  
 Note) ( ): Values for soft nylon.  
 øD1: max. diameter



KQ2Y Inch size tube/metric thread (formerly IQ)

Applicable tube O.D. (Inch)	Thread R(PT)	Part No.	H (Hex.)	øD1	øD2	L1	L2	A*	M	Min. hole dia.	Weight (g)		
3/16	1/8	KQ2Y05-01S	10	11.4	10	19.5	22.5	24	16.5	3.5	12		
	1/4	KQ2Y05-02S	14								26.5	26	21
1/4	1/8	KQ2Y07-01S	10	13.2	10	20.5	23.5	26	17	4.5	12		
	1/4	KQ2Y07-02S	14								27.5	28	22
	3/8	KQ2Y07-03S	17								29.5	29.5	35
5/16	1/8	KQ2Y09-01S	12	15.2	12	23.5	24.5	28	18.5	6	16		
	1/4	KQ2Y09-02S	14								28.5	30	24
	3/8	KQ2Y09-03S	17								30.5	31.5	36
3/8	1/4	KQ2Y11-02S	17	17.9	17	25.5	29.5	32.5	21	7	29		
	3/8	KQ2Y11-03S	17								31.5	34	38
	1/2	KQ2Y11-04S	22								35.5	36.5	64
1/2	1/4	KQ2Y13-02S	17	21.7	17	28	31.5	36.5	22	9.5	34		
	3/8	KQ2Y13-03S	17								33.5	38.5	43
	1/2	KQ2Y13-04S	22								37.5	40	69



One-touch Fittings

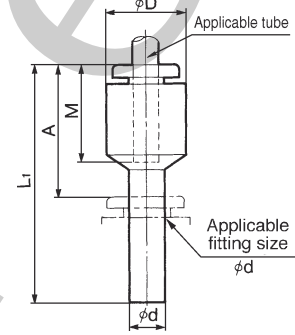
Series KQ2

Plug-in reducer: KQ2R Inch



Applicable tube O.D. (inch)	Applicable fitting size ød (inch)	Part No.	øD	L	A	M	Min. hole dia.	Weight (g)
1/8	5/32	KQ2R01-03	9.6	34.5	18.5	15.5	2.5	2
	3/16	KQ2R01-05	9.2	34	17.5			7
	1/4	KQ2R01-07			17			9
5/32	3/16	KQ2R03-05	10	34	17.5	16	3	8
	1/4	KQ2R03-07	10.4	34.5				9
3/16	1/4	KQ2R05-07	11.4	34.5	18.5	16.5	3.5	4
	5/16	KQ2R05-09	10.7	36.5	18			14
1/4	5/16	KQ2R07-09	12.5	37	18.5	17	4.6	17
	3/8	KQ2R07-11		39	18			19
5/16	3/8	KQ2R09-11	14	40	19	18.5	6	24
	1/2	KQ2R09-13		41				32
3/8	1/2	KQ2R11-13	16.5	42.5	20.5	21	7	32

Note) øD: max. diameter



KQ2R Metric

Applicable tube O.D. (mm)	Applicable fitting size ød	Part No.	øD	L	A	M	Effective orifice(mm <sup>2</sup> )		Weight (g)
							Nylon	Urethane	
3.2	4	KQ2R23-04	9.6	33.5	18.5	15.5	3.4	2.9	2
4	6	KQ2R04-06	10.4	34.5	17.5	16	5.6	5.6	2.1
	8	KQ2R04-08		36.5	18				2.3
	10	KQ2R04-10		12.8	39.5				18.5
6	4	KQ2R06-04	12.8	37	21	17	4	4	3
	8	KQ2R06-08		37	18.5				3
	10	KQ2R06-10		39.5	18.5				3.5
	12	KQ2R06-12		15.2	42				20
8	10	KQ2R08-10	15.2	41	20	18.5	26.1	18.0	4.5
	12	KQ2R08-12		42					5.1
10	12	KQ2R10-12	17	42	20	21	41.5	32.8	33
	16	KQ2R10-16	20.9	50.5	25.5				(29.5)
12	16	KQ2R12-16	20.9	50.5	25.5	22	58.3	(46.1)	37

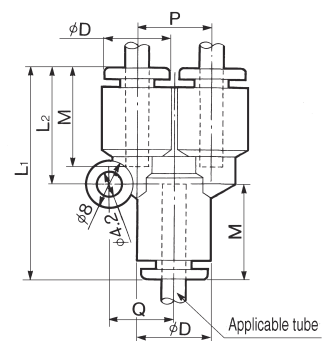
Note) ( ): Values for soft nylon.  
øD: max. diameter

Union "Y": KQ2U Inch



Applicable tube O.D. (inch)	Part No.	øD	L1	L2	P	Q	M	Min. hole dia.	Weight (g)
1/8	KQ2U01-00	9.6	33	17.5	9.6	9	15.5	2.5	6
5/32	KQ2U03-00	10.4	34	18	10.4	9.7	16	3	8
3/16	KQ2U05-00	11.4	36.5	20.5	11.4	10.6	16.5	3.5	9
1/4	KQ2U07-00	13.2	38	21.5	13.2	12	17	4.6	10
5/16	KQ2U09-00	15.2	42.5	24.5	15.2	13.7	18.5	6	12
3/8	KQ2U11-00	17.9	48	27.5	17.9	15.6	21	7	16

Note) øD: max. diameter



KQ2U Metric

Applicable tube O.D. (mm)	Part No.	øD	L1	L2	P	Q	M	Effective orifice(mm <sup>2</sup> )		Weight (g)
								Nylon	Urethane	
3.2	KQ2U23-00	9.6	33	17.5	9.6	9	15.5	3.4	2.9	5
4	KQ2U04-00	10.4	34	18	10.4	9.7	16	4.2	4.2	8
6	KQ2U06-00	12.8	37	20	12.8	11.7	17	13.4	13.4	10
8	KQ2U08-00	15.2	42.5	24.5	15.2	13.7	18.5	25.6	17.7	12
10	KQ2U10-00	18.5	48	27.5	18.5	16.1	21	40	28.4	16
12	KQ2U12-00	20.9	51	30	20.9	18.1	22	57.4	45.4	23
16	KQ2U16-00	26.5	61.5	36.5	26.5	23	25	113	(113)	54

Note) ( ): Values for soft nylon.  
øD: max. diameter

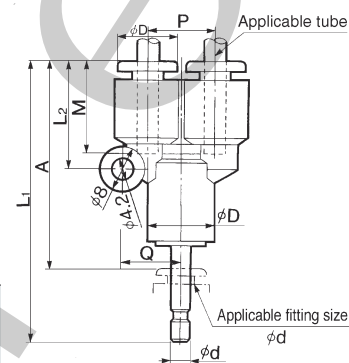
# Series KQ2

## One-touch Fittings

### Plug-in "Y": KQ2U Inch



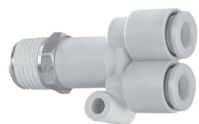
Applicable tube O.D. (inch)	Applicable fitting size ød (inch)	Part No.	øD	L1	L2	P	Q	A	M	Min. hole dia.	Weight (g)
1/8	1/8	KQ2U01-99	9.6	50	17.5	9.6	9	35	15.5	2	10
5/32	5/32	KQ2U03-99	10.4	51.5	18	10.4	9.7	35.5	16	2.5	12
3/16	3/16	KQ2U05-99	11.4	56	20.5	11.4	10.6	39.5	16.5	3.5	17
1/4	1/4	KQ2U07-99	13.2	56.5	21.5	13.2	12	39.5	17	4.6	19
5/16	5/16	KQ2U09-99	15.2	64.5	24.5	15.2	13.7	46	18.5	6	22



### KQ2U Metric

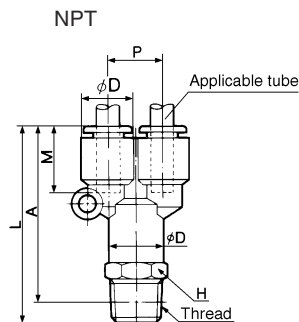
Applicable tube O.D. (mm)	Applicable fitting size ød	Part No.	øD	L1	L2	P	Q	A	M	Effective orifice (mm <sup>2</sup> )		Wt. (g)
										Nylon	Urethane	
3.2	3.2	KQ2U23-99	9.6	50	17.5	9.6	9	35	15.5	3.4	2.9	6
4	4	KQ2U04-99	10.4	51.5	18	10.4	9.7	35.5	16	4.2	4.2	12
6	6	KQ2U06-99	12.8	55.5	20	12.8	11.7	38.5	17	13.4	13.4	19
8	8	KQ2U08-99	15.2	64.5	24.5	15.2	13.7	46	18.5	25.6	17.7	22
10	10	KQ2U10-99	18.5	71.5	27.5	18.5	16.1	50.5	21	40	28.4	26
12	12	KQ2U12-99	20.9	75.5	30	20.9	18.1	53.5	22	57.4	45.4	32
16	16	KQ2U16-99	26.5	90	36.5	26.5	23	65	25	113	(113)	78

### Branch "Y": KQ2U Inch



Applicable tube O.D. (inch)	Thread NPT	Part No.	H (Hex.)	øD	L	P	Q	A*	M	Min. hole dia.	Weight (g)
1/8	1/8	KQ2U01-34S	12.7	9.6	40.5	9.6	9	36.5	15.5	2.5	14
	1/4	KQ2U01-35S	14.29		44.5			38.5			
5/32	1/8	KQ2U03-34S	12.7	10.4	42	10.4	9.7	38	16	3	16
	1/4	KQ2U03-35S	14.29		46			40			
3/16	1/8	KQ2U05-34S	12.7	11.4	44	11.4	10.6	40	16.5	3.5	18
	1/4	KQ2U05-35S	14.9		48.5			42.5			
1/4	1/8	KQ2U07-34S	14.29	13.2	46.5	13.2	12	42.5	17	4.6	20
	1/4	KQ2U07-35S			49.5			43.5			
	3/8	KQ2U07-36S			17.46			51.5			
5/16	1/8	KQ2U09-34S	17.46	15.2	52.5	15.2	13.7	48.5	18.5	6	22
	1/4	KQ2U09-35S			55.5			49.5			23
	3/8	KQ2U09-36S			56.5			50			36
3/8	1/4	KQ2U11-35S	19.05	17.9	60	17.9	15.6	54	21	7	42
	3/8	KQ2U11-36S			61			54.5			43
	1/2	KQ2U11-37S			22.23			64.5			56.5
1/2	1/4	KQ2U13-35S	22.23	21.7	64.5	21.7	18.8	58.5	22	9.6	31
	3/8	KQ2U13-36S			65.5			59			41
	1/2	KQ2U13-37S			68.5			60.5			68

\* Reference dimensions after NPT thread installation.

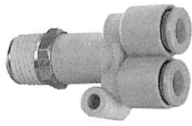




One-touch Fittings

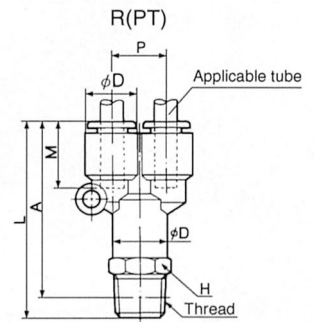
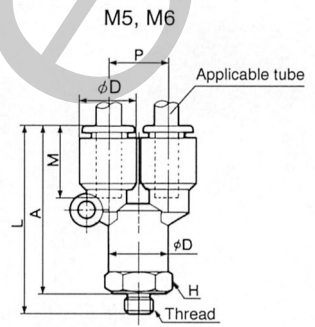
Series KQ2

Branch "Y": KQ2U Metric



Applicable tube O.D. (mm)	Thread R(PT)	Part No.	H (Hex.)	øD	L	P	A*	M	Effective orifice(mm <sup>2</sup> )		Weight (g)	
									Nylon	Urethane		
3.2	M5 × 0.8	KQ2U23-M5	10	9.6	38	9.6	34.5	15.5	2.2	2.2	9	
	1/8	KQ2U23-01S	11		41		37		3.4	2.9	14	
	1/4	KQ2U23-02S	14		44		38					
4	M5 × 0.8	KQ2U04-M5	11	10.4	39.5	10.4	36	16	2.2	2.2	4	
	M6 × 1.0	KQ2U04-M6			40							10
	1/8	KQ2U04-01S			42		38		4.2	4.2	11	
	1/4	KQ2U04-02S			46		40				20	
6	M5 × 0.8	KQ2U06-M5	13	12.8	42.5	12.8	39	17	2.2	2.2	13	
	M6 × 1.0	KQ2U06-M6			43							
	1/8	KQ2U06-01S			45.5		41.5				12	
	1/4	KQ2U06-02S			49		43		13.4	13.4	22	
	3/8	KQ2U06-03S			51		44.5				35	
8	1/8	KQ2U08-01S	17	15.2	52.5	15.2	48.5	18.5	25.6	17.7	16	
	1/4	KQ2U08-02S			55.5		49.5		24			
	3/8	KQ2U08-03S			56.5		50		36			
10	1/4	KQ2U10-02S	19	18.5	61	18.5	55	21	40	28.4	30	
	3/8	KQ2U10-03S			62		55.5		40	40		
	1/2	KQ2U10-04S			65		57				65	
12	1/4	KQ2U12-02S	22	20.9	64.5	20.9	58.5	22	57.4	45.4	32	
	3/8	KQ2U12-03S			65.5		59		40	40		
	1/2	KQ2U12-04S			68.5		60.5				65	
16	3/8	KQ2U16-03S	27	26.5	76	26.5	69.5	25	81	(81)	106	
	1/2	KQ2U16-04S			79		71		113	(113)	111	

\* Reference dimensions after R(PT) thread installation.  
 Note ( ) : Values for soft nylon.  
 øD: max. diameter



KQ2U Inch size tube/metric thread (formerly IQ)

Applicable tube O.D. (mm)	Thread R(PT)	Part No.	H (Hex.)	øD	L	P	A*	M	Min. hole dia.	Weight (g)
3/16	1/8	KQ2U05-01S	12	11.4	44	11.4	40	16.5	3.5	18
	1/4	KQ2U05-02S	14		48.5		42.5			18
1/4	1/8	KQ2U07-01S	14	13.2	46.5	13.2	42.5	17	4.6	20
	1/4	KQ2U07-02S			49.5		45			20
	3/8	KQ2U07-03S			51.5		45			20
5/16	1/8	KQ2U09-01S	17	15.2	52.5	15.2	48.5	18.5	6	22
	1/4	KQ2U09-02S			55.5		49.5			23
	3/8	KQ2U09-03S			56.5		50			36
3/8	1/4	KQ2U11-02S	19	17.9	60	17.9	54	21	7	42
	3/8	KQ2U11-03S			61		54.5			43
	1/2	KQ2U11-04S			64.5		56.5			56
1/2	1/4	KQ2U13-02S	22	21.7	64.5	21.7	58.5	22	9.5	31
	3/8	KQ2U13-03S			65.5		59			41
	1/2	KQ2U13-04S			68.5		60.5			68

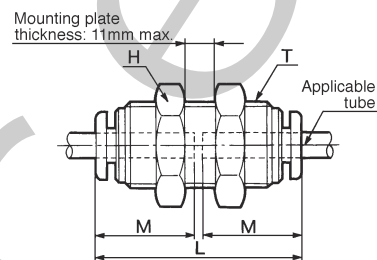
# Series KQ2

# One-touch Fittings

## Bulkhead union: KQ2E Inch



Applicable tube O.D. (inch)	Part No.	Thread UNF	H (Hex.)	L	Mounting hole	M	Min. hole dia.	Weight (g)
1/8	KQ2E01-00	1/2-20	17.46	31.5	13.5	15.5	2.5	26
5/32	KQ2E03-00	1/2-20	17.46	32.5	13.5	16	3	26
3/16	KQ2E05-00	9/16-18	17.46	34	15	16.5	3.5	33
1/4	KQ2E07-00	9/16-18	17.46	34.5	15	17	4.6	33
5/16	KQ2E09-00	3/4-16	22.23	38	20	18.5	6	52
3/8	KQ2E11-00	7/8-14	25.4	42.5	23	21	7	70
1/2	KQ2E13-00	1-12	28.6	44.5	26	22	9.6	97



## KQ2E Metric

Applicable tube O.D. (mm)	Part No.	T (M)	H (Hex.)	L	Mounting hole	M	Effective orifice (mm <sup>2</sup> )		Weight (g)
							Nylon	Urethane	
3.2	KQ2E23-00	M12 × 1	14	31.5	13	15.5	3.4	2.9	26
4	KQ2E04-00	M12 × 1	14	32.5	13	16	5.6	5.6	26
6	KQ2E06-00	M14 × 1	17	34.5	15	17	13.1	13.1	33
8	KQ2E08-00	M16 × 1	19	38	17	18.5	26.1	18.0	52
10	KQ2E10-00	M20 × 1	24	42.5	21	21	41.5	29.5	70
12	KQ2E12-00	M22 × 1	27	44	23	22	58.3	46.1	90
16	KQ2E16-00	M28 × 1.5	32	51	29	25	113	(96)	115

Note) ( ): Values for soft nylon.

## KQ2E Inch size tube/metric thread (formerly IQ)

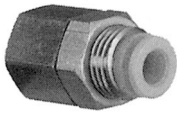
Applicable tube O.D. (mm)	Part No.	T (M)	H (Hex.)	L	Mounting hole	M	Min. hole dia.	Weight (g)
3/16	KQ2E05-00M	M14X1	17	34	15	16.5	3.5	30
1/4	KQ2E07-00M	M14X1	17	34.5	15	17	4.6	30
5/16	KQ2E09-00M	M16X1	19	38	17	18.5	6	48
3/8	KQ2E11-00M	M20X1	24	42.5	21	21	7	62
1/2	KQ2E13-00M	M22X1	27	44.5	23	22	9.6	85



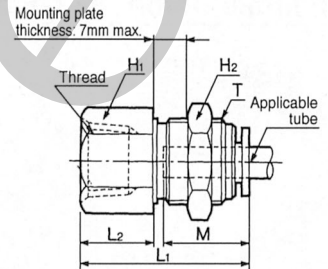
One-touch Fittings

Series KQ2

Bulkhead connector: KQ2E Inch



Applicable tube O.D. (inch)	Thread NPT	Part No.	Thread UNF	H1 (Hex.)	H2 (Hex.)	L1	L2	M	Min. hole dia.	Mounting hole	Weight (g)
1/8	1/4	KQ2E01-35	1/2-20	17.46	17.46	31	15	15.5	2.5	13.5	36
5/32	1/4	KQ2E03-35	1/2-20	17.46	17.46	31	15	16	3	13.5	36
3/16	1/8	KQ2E05-34	9/16-18	17.46	17.46	28	10	16.5	3.5	15	34
1/4	1/4	KQ2E07-35	9/16-18	17.46	17.46	32.5	14.5	17	4.6	15	34
5/16	3/8	KQ2E09-36	3/4-16	22.23	22.23	35	15	18.5	6	20	52
3/8	3/8	KQ2E11-36	1/8-14	25.4	25.4	37	14.5	21	7	23	96
1/2	3/8	KQ2E13-36	1-12	28.6	28.6	37	14	22	9.6	26	125
	1/2	KQ2E13-37	1-12			41.5	18				128



KQ2E Metric

Applicable tube O.D. (mm)	Thread Rc(PT)	Part No.	T (M)	H1 (Hex.)	H2 (Hex.)	L1	L2	Mounting hole	M	Effective orifice(mm <sup>2</sup> )		Weight (g)
										Nylon	Urethane	
3.2	1/4	KQ2E23-02	M12 × 1	17	14	31.5	15	13	15.5	3.4	2.9	13
4	1/8	KQ2E04-01	M12 × 1	14	14	27.5	11	13	16	5.6	5.6	16
	1/4	KQ2E04-02		31		15	35					
6	1/8	KQ2E06-01	M14 × 1	17	17	28	11	15	17	13.1	13.1	25
	1/4	KQ2E06-02				31.5	15					40
	3/8	KQ2E06-03		19	33.5	17	29					
8	1/8	KQ2E08-01	M16 × 1	17	19	27.5	7.5	17	18.5	26.1	18.0	28
	1/4	KQ2E08-02				33	13					27
	3/8	KQ2E08-03		19	35	15	48					
10	1/4	KQ2E10-02	M20 × 1	22	24	34.5	12.5	21	21	41.5	29.5	53
	3/8	KQ2E10-03		22		36.5	15					67
12	3/8	KQ2E12-03	M22 × 1	24	27	37	14	23	22	58.3	46.1	92
	1/2	KQ2E12-04				41	18					59
16	3/8	KQ2E16-03	M28 × 1.5	30	32	40	14	29	25	96	(96)	127
	1/2	KQ2E16-04				44	18			113		132

Note) ( ): Values for soft nylon.

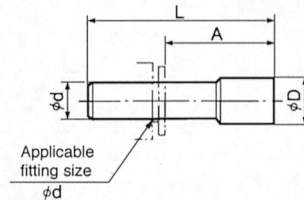
KQ2E Inch size tube/metric thread (formerly IQ)

Applicable tube O.D. (inch)	Applicable fitting size Rc(PT)	Part No.	T (M)	H1 (Hex.)	H2 (Hex.)	L1	L2	M	Min. hole dia.	Mounting hole	Wt. (g)
3/16	1/8	KQ2E05-01	M14X1	17	17	28	11.5	16.5	3.5	15	30
1/4	1/4	KQ2E07-02	M14X1	17	17	32.5	14.5	17	4.6	15	31
5/16	3/8	KQ2E09-03	M16X1	19	19	35	15	18.5	6	17	36
3/8	3/8	KQ2E11-03	M20X1	22	24	35	14.5	21	7	21	64
1/2	3/8	KQ2E13-03	M22X1	24	27	37	14.5	22	9.6	23	78
	1/2	KQ2E13-04				41.5	18.5				74

Plug: KQ2P Inch



Applicable fitting size ød (inch)	Part No.	øD	L	A	Weight (g)
1/8	KQ2P-01	5	31.5	16	1
5/32	KQ2P-03	6	32	16	1
3/16	KQ2P-05	6.8	34	17.5	1
1/4	KQ2P-07	8.5	35	18	1
5/16	KQ2P-09	10	39	20.5	2
3/8	KQ2P-11	11.5	43	22	3.5
1/2	KQ2P-13	15	46	24	5



KQ2P Metric

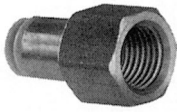
Applicable fitting size ød	Part No.	øD	L	A	Weight (g)
3.2	KQ2P-23	5	31.5	16	1
4	KQ2P-04	6	32	16	1
6	KQ2P-06	8	35	18	1
8	KQ2P-08	10	39	20.5	2
10	KQ2P-10	12	43	22	3.5
12	KQ2P-12	14	45.5	24	5
16	KQ2P-16	20.9	47	22	8



# Series KQ2

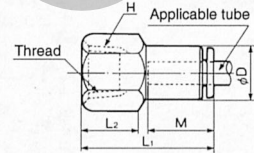
# One-touch Fittings

## Female union: KQ2F Inch



Applicable tube O.D. (inch)	Thread UNF NPT	Part No.	H (Hex.)	øD	L1	L2	M	Weight (g)																																																																											
1/8	1/8	KQ2F01-34	14.29	9.2	26.5	11.5	15.5	2.5																																																																											
	1/4	KQ2F01-35	17.46		30.5	14.5			5/32	1/8	KQ2F03-34	14.29	10	27	11	16	3	1/4	KQ2F03-35	17.46	31	13.5	1/4	1/8	KQ2F07-34	14.29	12.5	27.5	10.5	17	4.6	1/4	KQ2F07-35	17.46	31	13.5	5/16	1/8	KQ2F09-34	14.29	14	29	10.5	18.5	6	1/4	KQ2F09-35	17.46	32.5	13.5	3/8	KQ2F09-36	22.23	34.5	13	3/8	1/4	KQ2F11-35	17.46	16.5	34.5	15	21	7	3/8	KQ2F11-36	22.23	36.5	1/2	KQ2F11-37	23.81	40.5	19	1/2	3/8	KQ2F13-36	22.23	20	36.5	14.5	22	9.6	1/2
5/32	1/8	KQ2F03-34	14.29	10	27	11	16	3																																																																											
	1/4	KQ2F03-35	17.46		31	13.5			1/4	1/8	KQ2F07-34	14.29	12.5	27.5	10.5	17	4.6	1/4	KQ2F07-35	17.46	31	13.5	5/16	1/8	KQ2F09-34	14.29	14	29	10.5	18.5	6	1/4	KQ2F09-35	17.46	32.5	13.5		3/8	KQ2F09-36	22.23		34.5	13			3/8	1/4	KQ2F11-35	17.46	16.5	34.5	15	21	7	3/8		KQ2F11-36	22.23	36.5		1/2	KQ2F11-37			23.81	40.5	19	1/2	3/8	KQ2F13-36	22.23	20	36.5	14.5	22	9.6	1/2	KQ2F13-37	23.81	41	18.5		
1/4	1/8	KQ2F07-34	14.29	12.5	27.5	10.5	17	4.6																																																																											
	1/4	KQ2F07-35	17.46		31	13.5			5/16	1/8	KQ2F09-34	14.29	14	29	10.5	18.5	6	1/4	KQ2F09-35	17.46	32.5	13.5		3/8	KQ2F09-36	22.23		34.5	13			3/8	1/4	KQ2F11-35	17.46	16.5	34.5	15	21	7	3/8	KQ2F11-36	22.23	36.5	1/2		KQ2F11-37	23.81	40.5		19	1/2			3/8	KQ2F13-36	22.23	20	36.5	14.5	22	9.6	1/2	KQ2F13-37	23.81	41	18.5																
5/16	1/8	KQ2F09-34	14.29	14	29	10.5	18.5	6																																																																											
	1/4	KQ2F09-35	17.46		32.5	13.5																																																																													
	3/8	KQ2F09-36	22.23		34.5	13			3/8	1/4	KQ2F11-35	17.46	16.5	34.5	15	21	7	3/8	KQ2F11-36	22.23	36.5	1/2	KQ2F11-37	23.81	40.5	19	1/2	3/8	KQ2F13-36	22.23	20	36.5	14.5	22	9.6	1/2	KQ2F13-37	23.81	41	18.5																																											
3/8	1/4	KQ2F11-35	17.46	16.5	34.5	15	21	7																																																																											
	3/8	KQ2F11-36	22.23		36.5																																																																														
	1/2	KQ2F11-37	23.81		40.5	19			1/2	3/8	KQ2F13-36	22.23	20	36.5	14.5	22	9.6	1/2	KQ2F13-37	23.81	41	18.5																																																													
1/2	3/8	KQ2F13-36	22.23	20	36.5	14.5	22	9.6																																																																											
	1/2	KQ2F13-37	23.81		41	18.5																																																																													

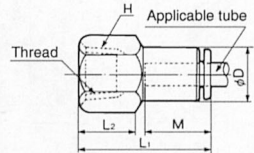
NPT



## KQ2F Metric

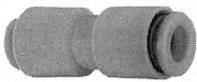
Applicable tube O.D. (mm)	Thread Rc(PT)	Part No.	H (Hex.)	øD	L1	L2	M	Effective orifice(mm <sup>2</sup> )		Weight (g)
								Nylon	Urethane	
4	1/8	KQ2F04-01	14	10	27	11	16	5.6	5.6	15
	1/4	KQ2F04-02	17		31	14				23
6	1/8	KQ2F06-01	14	12	27.5	11	17	13.1	13.1	15
	1/4	KQ2F06-02	17		31	13				22
	3/8	KQ2F06-03	19		33.5	15				25
8	1/8	KQ2F08-01	14	14	29	11	18.5	26.1	18.0	17
	1/4	KQ2F08-02	17		32.5	13				24
	3/8	KQ2F08-03	19		33.5	14				24
10	1/4	KQ2F10-02	17	17	34.5	14	21	41.5	18.0	27
	3/8	KQ2F10-03	19		36.5	15				30
12	1/4	KQ2F12-02	19	19	35	14	22	58.3	46.1	36
	3/8	KQ2F12-03	19		37	14				31
	1/2	KQ2F12-04	24		41	18				52
16	3/8	KQ2F16-03	24	25.7	38	15	25	81	(81)	59
	1/2	KQ2F16-04	24		43	19				113

KQ2F 04 to 16

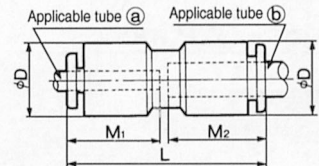


Note) ( ): Values for soft nylon, øD2: max. diameter

## Different dia.straight: KQ2H Inch



Applicable tube O.D. (inch)		Part No.	øD	L	M1	M2	Weight (g)
a	b						
1/8	5/32	KQ2H01-03	10.4	32.5	15.5	16	2.5
	1/4	KQ2H01-07	13.2	34.5		17	
5/32	3/16	KQ2H03-05	11.4	34	16	16.5	3
	1/4	KQ2H03-07	13.2	34.5		17	
3/16	1/4	KQ2H05-07	13.2	34.5	16.5	17	3.5
	5/16	KQ2H07-09	15.2	38.5		17	
1/4	3/8	KQ2H07-11	17.9	42	17	21	4.6
	5/16	KQ2H09-11	17.9	42		18.5	
5/16	1/2	KQ2H09-13	21.7	44	18.5	22	6
	3/8	KQ2H11-13	21.7	44		21	



## KQ2H Metric

Applicable tube O.D. (mm)		Part No.	øD	L	M1	M2	Effective orifice(mm <sup>2</sup> )		Weight (g)
(a)	(b)						Nylon	Urethane	
3.2	4	KQ2H23-04	10.4	32.5	15.5	16	3.2	2.7	3
4	6	KQ2H04-06	12.8	34.5	16	17	4.2	4.2	5
6	8	KQ2H06-08	15.2	38.5	17	18.5	10.7	10.7	7
8	10	KQ2H08-10	18.5	42	18.5	21	24.1	16.7	11
10	12	KQ2H10-12	20.9	44.5	21	22	37.6	28.2	14
12	16	KQ2H12-16	26.5	56.5	22	25	58.3	46.1	47

Note) øD: max. diameter



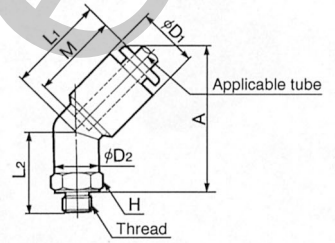
One-touch Fittings

Series KQ2

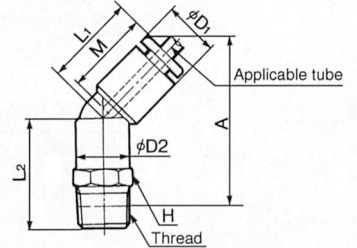
45° male elbow: KQ2K Inch

Applicable tube O.D. (inch)	Thread UNF NPT	Part No.	H (Hex.)	øD1	øD2	L1	L2	A*	M	Weight (g)
1/8	10-32 UNF	KQ2K01-32	8	9.6	8	16.5	15	25.5	15.5	2.3
	1/8	KQ2K01-34S	11.11		10	16.5	22.5	33	15.5	2.5
5/32	10-32 UNF	KQ2K03-32	8	10.4	8	17	14.5	26	16	2.3
	1/8	KQ2K03-34S	11.11		10	20.5	32	16.5	2.8	
3/16	1/8	KQ2K05-34S	11.11	11.4	10	18	20.5	32.5	16.5	3.6
1/4	10-32 UNF	KQ2K07-32	11.11	13.2	10	19	18	32	17	4.6
	1/8	KQ2K07-34S					20.5	34		
	1/4	KQ2K07-35S					24.5	36		
	3/8	KQ2K07-36S					26.5	37.5		
5/16	1/8	KQ2K09-34S	12.7	15.2	12	20.5	22	37	18.5	6
	1/4	KQ2K09-35S					26	39		
	3/8	KQ2K09-36S					28	41		
3/8	1/8	KQ2K11-34S	17.46	17.9	17	23.5	24	42	21	7
	1/4	KQ2K11-35S					27	43		
	3/8	KQ2K11-36S					29	44.5		
	1/2	KQ2K11-37S					33	46.5		
1/2	1/4	KQ2K13-35S	17.46	21.7	17	25.5	27.5	46.5	22	8
	3/8	KQ2K13-36S					29.5	48		
	1/2	KQ2K13-37S					33.5	50		

10-32 UNF, M5, M6



NPT, R(PT)



KQ2K Metric

Applicable tube O.D. (mm)	Thread R(PT)	Part No.	H (Hex.)	øD1	øD2	L1	L2	A*	M	Effective orifice(mm <sup>2</sup> )		Weight (g)	
										Nylon	Urethane		
4	M5 × 0.8	KQ2K04-M5	8	10.4	8	14.5	26	16	3.4	3.4		4	
	M6 × 1.0	KQ2K04-M6											15
	1/8	KQ2K04-01S	10		20.5	32	10						
	1/4	KQ2K04-02S	14		24.5	34	19						
6	M5 × 0.8	KQ2K06-M5	8	12.8	8	18	14.5	27.5	17	8.7	8.7	6	
	M6 × 1.0	KQ2K06-M6				18.5	15						5
	1/8	KQ2K06-01S	10		20.5	33	12						
	1/4	KQ2K06-02S	14		24.5	35	10						
	3/8	KQ2K06-03S	17		26.5	36.5	33						
8	1/8	KQ2K08-01S	12	15.2	12	20.5	22	37	18.5	19.7	19.7	13	
	1/4	KQ2K08-02S					26	39					21
	3/8	KQ2K08-03S					28	41					35
10	1/8	KQ2K10-01S	17	18.5	17	24	24	42	21	30.9	23.2	25	
	1/4	KQ2K10-02S					27	43.5					26
	3/8	KQ2K10-03S					29	45					36
	1/2	KQ2K10-04S					33	47.5					63
12	1/4	KQ2K12-02S	17	20.9	17	25	27.5	45.5	22	44.5	35.1	28	
	3/8	KQ2K12-03S					29.5	47.5					38
	1/2	KQ2K12-04S					33.5	49.5					65
16	3/8	KQ2K16-03S	22	26.5	20.9	30	32	55	25	65.8	(65.8)	52	
	1/2	KQ2K16-04S					35	56.5		91.9	(78.3)	58	

\* Reference dimensions after R(PT) thread installation.  
 Note) ( ): Values for soft nylon.  
 øD1: max. diameter



# Series KQ2

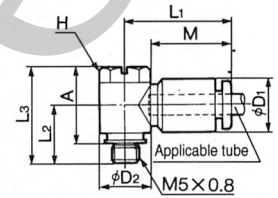
# One-touch Fittings

## Universal male elbow: KQ2V Inch

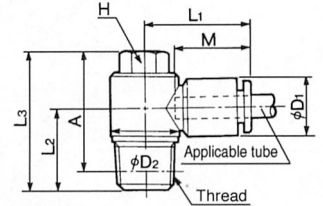


Applicable tube O.D. (inch)	Thread UNF NPT	Part No.	H (Hex.)	øD1	øD2	L1	L2	L3	A*	M	Weight (g)
1/8	10-32 UNF	KQ2V01-32	8	8.4	9.8	17.2	11	18.5	15	12.7	2.3
	1/8	KQ2V01-34S		9.6	13.4	21.5	14.5	26.5	22.5	15.5	2.5
5/32	10-32 UNF	KQ2V03-32	8	10.4	9.8	20.5	11	18.5	15	16	2.3
	1/8	KQ2V03-34S			13.4	22	14.5	26.5	22.5		2.8
3/16	1/8	KQ2V05-34S	8	11.4	13.4	23	14.5	26.5	22.5	16.5	3.5
1/4	10-32 UNF	KQ2V07-32	8	13.2	13.4	24	12	24	20.5	17	2.3
	1/8	KQ2V07-34S				14.5	26.5	22.5	4.6		
	1/4	KQ2V07-35S				15.3	23.5	19	32.5		26.5
5/16	1/8	KQ2V09-34S	11.11	15.2	17.6	28.5	15.5	28.5	24.5	18.5	6
	1/4	KQ2V09-35S					18.5	31.5	25.5		
	3/8	KQ2V09-36S					20.6	27.5	20.5		
3/8	1/4	KQ2V11-35S	12.7	17.9	20.6	30.5	19.5	35.5	29.5	21	7
	3/8	KQ2V11-36S					20.5	36.5	30		
1/2	3/8	KQ2V13-36S	17.46	21.7	27	35.5	21.5	36	30	22	9
	1/2	KQ2V13-37S					24.5	39	31		

10-32 UNF, M5



NPT, R(PT)



## KQ2V Metric

Applicable tube O.D. (mm)	Thread R(PT)	Part No.	H (Hex.)	øD1	øD2	L1	L2	L3	A*	M	Effective orifice (mm <sup>2</sup> )		Weight (g)
											Nylon	Urethane	
4	M5×0.8	KQ2V04-M5	8	10.4	9.8	20.5	11	18.5	15	16	2.9	2.9	6
	1/8	KQ2V04-01S			13.4	22	14.5	26.5	22.5				14
6	M5×0.8	KQ2V06-M5	8	12.8	9.8	23.5	12	18.5	15	17	3.8	3.8	7
	1/8	KQ2V06-01S			13.4	24	14.5	26.5	22.5				15
	1/4	KQ2V06-02S			10	15.4	23.5	18.5	31				25
8	1/8	KQ2V08-01S	12	15.2	17.6	28.5	15.5	28.5	24.5	18.5	16	11.2	24
	1/4	KQ2V08-02S					18.5	31.5	25.5				30
	3/8	KQ2V08-03S					14	20.6	27.5				20.5
10	1/4	KQ2V10-02S	14	18.5	20.6	31	19.5	35.5	29.5	21	27	20.3	40
	3/8	KQ2V10-03S					20.5	36.5	30				49
12	3/8	KQ2V12-03S	17	20.9	25.2	34	22	38.5	32	22	39	30.8	63
	1/2	KQ2V12-04S					25	41.5	33.5				80
16	3/8	KQ2V16-03S	21	26.5	32.3	39	26.5	46.5	40.5	25	55	(55)	103
	1/2	KQ2V16-04S					29.5	49.5	41.5				78

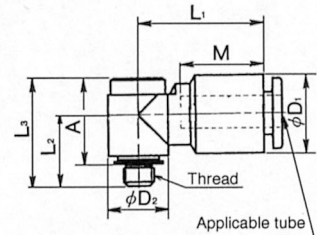
\* Reference dimensions after R(PT) thread installation.  
Note) ( ): Values for soft nylon.  
øD1: max. diameter

## Hexagon socket head universal male elbow: KQ2VS Inch

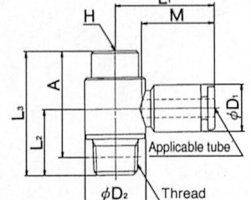


Applicable tube O.D. (inch)	Thread UNF NPT	Part No.	H (Hex.)	øD1	øD2	L1	L2	L3	A*	M	Weight (g)
1/8	10-32 UNF	KQ2VS01-32	4	8.4	9.8	17.2	10.9	18.5	15	12.7	2.3
	1/8	KQ2VS01-34S	6.35	9.6	13.4	21.5	14.5	26.5	22.5	15.5	2.5
5/32	10-32 UNF	KQ2VS03-32	4	10.4	9.8	20.5	11	18.5	15	16	2.3
	1/8	KQ2VS03-34S	6.35		13.4	22	14.5	26.5	22.5		2.8
3/16	1/8	KQ2VS05-34S	8	11.4	13.4	23	14.5	26.5	22.5	16.5	3.5
1/4	10-32 UNF	KQ2VS07-32	6.35	13.2	13.4	24	12	24	19	17	2.3
	1/8	KQ2VS07-34S				14.5	26.5	22.5	4.6		
	1/4	KQ2VS07-35S				15.3	23.5	19	28.5		
5/16	1/8	KQ2VS09-34S	8	15.2	17.6	28.5	15.5	27	23	18.5	6
	1/4	KQ2VS09-35S					18.5	30	24		
	3/8	KQ2VS09-36S					20.6	27.5	20.5		
3/8	1/4	KQ2VS11-35S	8	17.9	20.6	31	19.5	31.5	25.5	21	7
	3/8	KQ2VS11-36S					20.5	32.5	26		
1/2	3/8	KQ2VS13-36S	9.53	21.7	27	34.5	21.5	34.5	28.5	22	9
	1/2	KQ2VS13-37S					24.5	37.5	29.5		

10-32 UNF



NPT





One-touch Fittings

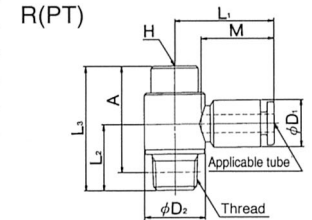
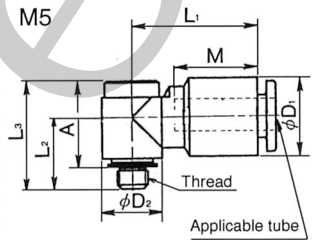
Series KQ2

Hexagon socket head universal male elbow: KQ2VS Metric



Applicable tube O.D. (mm)	Thread R(PT)	Part No.	H (Hex.)	øD1	øD2	L1	L2	L3	A*	M	Effective orifice(mm <sup>2</sup> )		Weight (g)			
											Nylon	Urethane				
4	M5	KQ2VS04-M5	4	10.4	9.8	20.5	10.5	18	15	16	2.9	2.9	6			
	1/8	KQ2VS04-01S	6		13.4	22	14.5	26.5	22.5		14					
6	M5	KQ2VS06-M5	4	12.8	9.8	23.5	12	18	15	17	3.8	3.8	7			
	1/8	KQ2VS06-01S	6		13.4	24	14.5	26.5	22.5		15					
	1/4	KQ2VS06-02S	6	15.3	23.5	18.5	27	21	21	17	7.5	7.5	22			
	1/8	KQ2VS08-01S	8	15.2	17.6	28.5	15.5	27	23	18.5	16	11.2	24			
1/4	KQ2VS08-02S	18.5												30	24	26
3/8	KQ2VS08-03S	20.6												27.5	20.5	32.5
10	1/4	KQ2VS10-02S	8	18.5	20.6	31	19.5	31.5	25	21	27	20.3	32			
	3/8	KQ2VS10-03S					20.5	32.5	26				26	39		
12	3/8	KQ2VS12-03S	10	20.9	25.2	34	22	36	30	22	39	30.8	48			
	1/2	KQ2VS12-04S					25	39	31				26	67		

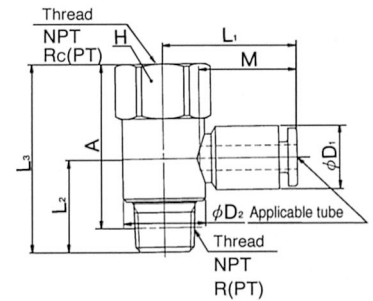
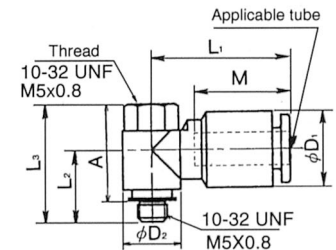
\* Reference dimensions after R(PT) thread installation.  
Note) øD1: max. diameter



Universal female elbow: KQ2VF Inch



Applicable tube O.D. (inch)	Thread UNF NPT	Part No.	H (Hex.)	øD1	øD2	L1	L2	L3	A*	M	Weight (g)	
1/8	10-32 UNF	KQ2VF01-32	8	8.4	9.8	17.2	10	20	16.5	12.7	2.3	2.3
	1/8	KQ2VF01-34S	14.29	9.6	13.4	21.5	14	29.5	25.5	15.5	2.5	2.5
5/32	10-32 UNF	KQ2VF03-32	8	10.4	9.8	20.5	11	20	16	16	2.5	2.5
	1/8	KQ2VF03-34S	14.29		13.4	22	15.5	29.5	25.5		16	2.8
3/16	10-32 UNF	KQ2VF07-32	14.29	13.2	11.4	23	14	29.5	25.5	17	3.5	3.5
	1/8	KQ2VF07-34S	14.29		13.4	24	11.5	27	23.5		17	2.3
1/4	1/4	KQ2VF07-35S	17.46	15.2	17.6	25	17.5	38.5	32.5	18.5	4.6	4.6
	1/8	KQ2VF09-34S	17.46		17.6	28.5	17	31	27		17	4.6
5/16	1/4	KQ2VF09-35S	22.23	17.9	20.6	31	17.5	41	35	21	7	7
	3/8	KQ2VF09-36S	22.23		25.5	29.5	20.5	45	39		21	7
3/8	1/4	KQ2VF11-35S	22.23	21.7	20.6	31	17.5	41	35	22	9	9
	3/8	KQ2VF11-36S	22.23		25.2	31.5	19.5	45	39		22	9
1/2	3/8	KQ2VF13-36S	22.23	25.4	21	42	39	39	39	22	9	9
	1/2	KQ2VF13-37S	25.4		27	35.5	21	42	39		22	9



KQ2VF Metric

Applicable tube O.D. (mm)	Thread Rc(PT) R(PT)	Part No.	H (Hex.)	øD1	øD2	L1	L2	L3	A*	M	Weight (g)				
4	M5 × 0.8	KQ2VF04-M5	8	10.4	9.8	20.5	11	20	16	16	6	6			
	1/8	KQ2VF04-01S	14		13.4	22	15.5	29.5	25.5		19				
6	M5 × 0.8	KQ2VF06-M5	8	12.8	9.8	23.5	12.5	20	16	17	7	7			
	1/8	KQ2VF06-01S	14		13.4	24.5	15.5	29.5	25.5		19				
	1/4	KQ2VF06-02S	17	17.6	25	20	38.5	32.5	17	36	36	36			
	1/8	KQ2VF08-01S	8	15.2	17.6	28.5	17	31	27	18.5	29	29			
1/4	KQ2VF08-02S	20											38.5	32.5	37
3/8	KQ2VF08-03S	22											25.2	29.5	25.5
10	1/4	KQ2VF10-02S	19	18.5	20.6	31.5	22	41	35	21	48	48			
	3/8	KQ2VF10-03S	22		25.2	24.5	45.5	39	68						
12	3/8	KQ2VF12-03S	22	20.9	25.2	34	24.5	45.5	39	22	70	70			
	1/2	KQ2VF12-04S	24		27	35	25.5	50	42		93				

\* Reference dimensions after R(PT) thread installation.  
Note) øD1: max. diameter

# Series KQ2

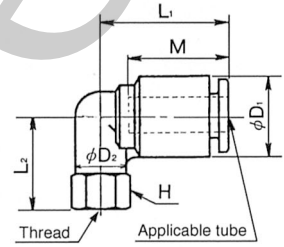
# One-touch Fittings

## Female elbow: KQ2LF Inch

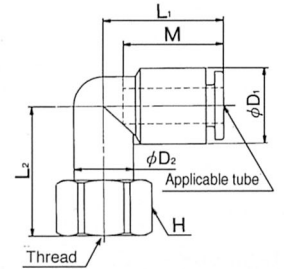


Applicable tube O.D. (inch)	Thread UNF NPT	Part No.	H (Hex.)	øD1	øD2	L1	L2	M	Weight (g)
1/8	1/8	KQ2LF01-34	14.29	9.6	10	17.5	20	15.5	2.5
	1/4	KQ2LF01-35	17.46				23.5		
5/32	1/8	KQ2LF03-34	14.29	10.4	10	18	20.5	16	3
	1/4	KQ2LF03-35	17.46				24		
1/4	1/8	KQ2LF07-34	14.29	13.2	10	20.5	22	17	4.6
	1/4	KQ2LF07-35	17.46				25.5		
	3/8	KQ2LF07-36	22.23				26		
3/8	1/4	KQ2LF11-35	17.46	17.9	17	25.5	27.5	21	7
	3/8	KQ2LF11-36	22.23				28		
	1/2	KQ2LF11-37	23.81				32		
1/2	3/8	KQ2LF13-36	22.23	21.7	17	28	30	22	9.6
	1/2	KQ2LF13-37	23.81				34		

10-32 UNF, M5, M6



NPT, Rc(PT)

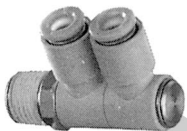


## KQ2LF Metric

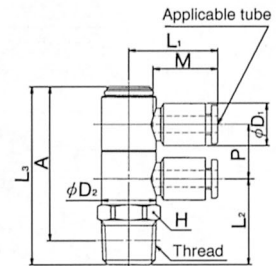
Applicable tube O.D. (mm)	Thread Rc(PT)	Part No.	H (Hex.)	øD1	øD2	L1	L2	M	Effective orifice(mm <sup>2</sup> )		Weight (g)
									Nylon	Urethane	
4	M5 × 0.8	KQ2LF04-M5	8	10.4	8	18.5	14.5	16	3.5	3.5	5
	M6 × 1.0	KQ2LF04-M6									
	1/8	KQ2LF04-01	14		21				4.2	4.2	13
	1/4	KQ2LF04-02	17		24.5				4.2	4.2	20
6	M5 × 0.8	KQ2LF06-M5	8	12.8	8	20.5	15	17	3.5	3.5	5
	M6 × 1.0	KQ2LF06-M6									
	1/8	KQ2LF06-01	14		22				11.4	11.4	13
	1/4	KQ2LF06-02	17		25.5				11.4	11.4	20
6	3/8	KQ2LF06-03	19	26	11.4	11.4	20				
	1/8	KQ2LF08-01	14	23	16	16					
	1/4	KQ2LF08-02	17	23.5	18.5	21.6	14.9	22			
8	3/8	KQ2LF08-03	19	27	18.5	21.6	14.9	23			
	1/4	KQ2LF10-02	17	28	21.6	14.9	27				
	3/8	KQ2LF10-03	19	28.5	35.2	25.0	46				
10	1/2	KQ2LF10-04	24	32.5	35.2	25.0	46				
	1/4	KQ2LF12-02	17	29.5	22	50.2	39.7	29			
12	3/8	KQ2LF12-03	19	30	22	50.2	39.7	29			
	1/2	KQ2LF12-04	24	34	22	50.2	39.7	48			

Note) øD1: max. diameter

## Double universal male elbow: KQ2VD Inch



Applicable tube O.D. (inch)	Thread UNF NPT	Part No.	H (Hex.)	øD1	øD2	L1	L2	L3	A*	M	P	Weight (g)
1/8	10-32 UNF	KQ2VD01-32	14.29	9.6	13.4	22	15.5	38.5	35	15.5	13.4	2.3
		KQ2VD01-34S	18				41	37	2.5			
5/32	10-32 UNF	KQ2VD03-32	14.29	10.4	13.4	22	15.5	38.5	35	16	13.4	2.3
		KQ2VD03-34S	18.5				41	37	3			
3/16	1/8	KQ2VD05-34S	14.29	11.4	13.4	23	18	41	37	16.5	13.4	3.5
1/4	10-32 UNF	KQ2VD07-32	14.29	13.2	13.4	24	15.5	39	35.5	17	13.8	4.6
		KQ2VD07-34S					18.5	41.5	37.5			
		KQ2VD07-35S					21.5	44.5	38.5			
		KQ2VD07-36S					23.5	46.5	40.5			
5/16	1/4	KQ2VD09-35S	19	15.2	17.6	28.5	24	51	45	18.5	15.9	6
		KQ2VD09-36S					25	52	45.5			
		KQ2VD09-37S					28.5	55.5	47.5			
3/8	3/8	KQ2VD11-35S	22.23	17.9	20.6	31	26	58	52	21	19.2	7
		KQ2VD11-36S					27	59	52.5			
		KQ2VD11-37S					30	62	54			
1/2	3/8	KQ2VD13-36S	25.4	21.7	27	35.5	32	66.5	60.5	22	22.3	9.6
		KQ2VD13-37S					35	69.5	61.5			

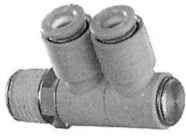




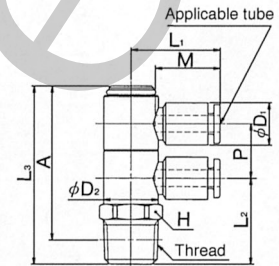
One-touch Fittings

Series KQ2

Double universal male elbow: KQ2VD Metric



Applicable tube O.D. (mm)	Thread R(PT)	Part No.	H (Hex.)	øD1	øD2	L1	L2	L3	A*	M	P	Weight (g)
4	1/8	KQ2VD04-01S	14	10.4	13.4	22	18.5	41	37	16	13.4	23
	1/4	KQ2VD04-02S	17				21.5	44	38			29
	3/8	KQ2VD04-03S	17				23.5	46	40			42
6	1/8	KQ2VD06-01S	14	12.8	13.4	24.5	18.5	41	37	17	13.4	25
	1/4	KQ2VD06-02S	17				21.5	44	38			31
	3/8	KQ2VD06-03S	17				23.5	46	40			43
8	1/8	KQ2VD08-01S	19	15.2	17.6	28.5	21	48	44	18.5	15.9	54
	1/4	KQ2VD08-02S	19				24	51	45			52
	3/8	KQ2VD08-03S	21				25	52	45.5			61
10	1/2	KQ2VD08-04S	21	18.5	20.6	31.5	28.5	55.5	47.5	21	19.2	83
	1/4	KQ2VD10-02S	21				26.5	58	52			71
	3/8	KQ2VD10-03S	21				27.5	59	53			74
12	1/2	KQ2VD10-04S	21	20.9	25.2	34	30.5	62	54	22	21.6	91
	1/4	KQ2VD12-02S	26				28.5	64.5	58.5			118
	3/8	KQ2VD12-03S	26				29.5	65.5	59			113
	1/2	KQ2VD12-04S	26	32.5	68.5	60						125

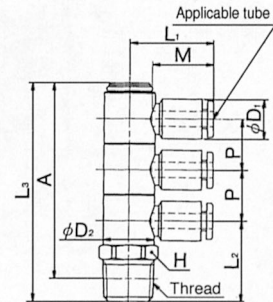


\* Reference dimensions after R(PT) thread installation.  
Note) øD1: max. diameter

Triple universal male elbow: KQ2VT Inch



Applicable tube O.D. (inch)	Thread UNF NPT	Part No.	H (Hex.)	øD1	øD2	L1	L2	L3	A*	M	P	Weight (g)
1/8	10-32 UNF	KQ2VT01-32	14.29	9.6	13.4	22	15.5	52	48.5	15.5	13.4	2.3
	1/8	KQ2VT01-34S	14.29				18	54.5	50.5			2.5
5/32	10-32 UNF	KQ2VT03-32	14.29	10.4	13.4	22	15.5	52	48.5	16	13.4	2.3
	1/8	KQ2VT03-34S	14.29				18.5	54.5	50.5			3
3/16	10-32 UNF	KQ2VT07-32	14.29	11.4	13.4	23	18	54.5	50.5	16.5	13.4	3.5
	1/8	KQ2VT07-34S	14.29				18.5	55.5	51.5			
1/4	1/4	KQ2VT07-35S	17.46	13.2	13.4	24	21.5	58.5	52.5	17	13.8	4.6
	3/8	KQ2VT07-36S	17.46				23.5	60.5	54			
	1/4	KQ2VT09-35S	19				24	67	61			
5/16	3/8	KQ2VT09-36S	19	15.2	17.6	28.5	25	68	61.5	18.5	15.9	6
	1/2	KQ2VT09-37S	22.23				28.5	71.5	63.5			
	1/4	KQ2VT11-35S	22.23				26	77.5	71.5			
3/8	3/8	KQ2VT11-36S	22.23	17.9	20.6	31	27	78.5	72	21	19.2	7
	1/2	KQ2VT11-37S	22.23				30	81.5	73			
	3/8	KQ2VT13-36S	25.4				32	89	83			
1/2	1/2	KQ2VT13-37S	25.4	21.7	27	35.5	35	92	84	22	22.3	9.6



KQ2VT Metric

Applicable tube O.D. (mm)	Thread R(PT)	Part No.	H (Hex.)	øD1	øD2	L1	L2	L3	A*	M	P	Weight (g)
4	1/8	KQ2VT04-01S	14	10.4	13.4	22	18.5	54.5	50.5	16	13.4	30
	1/4	KQ2VT04-02S	17				21.5	57.5	51.5			35
	3/8	KQ2VT04-03S	17				23.5	59.5	53.5			49
6	1/8	KQ2VT06-01S	14	12.8	13.4	24.5	18.5	54.5	50.5	17	13.4	32
	1/4	KQ2VT06-02S	17				21.5	57.5	51.5			38
	3/8	KQ2VT06-03S	17				23.5	59.5	53.5			51
8	1/8	KQ2VT08-01S	19	15.2	17.6	28.5	21	64	60	18.5	15.9	72
	1/4	KQ2VT08-02S	19				24	67	61			67
	3/8	KQ2VT08-03S	21				25	68	61.5			76
10	1/2	KQ2VT08-04S	21	18.5	20.6	31.5	28.5	71.5	63.5	21	19.2	97
	1/4	KQ2VT10-02S	21				26.5	77.5	71.5			94
	3/8	KQ2VT10-03S	21				27.5	78.5	72			
12	1/2	KQ2VT10-04S	21	20.9	25.2	34	30.5	81.5	73.5	22	21.6	111
	1/4	KQ2VT12-02S	26				28.5	86	80			153
	3/8	KQ2VT12-03S	26				29.5	87	80.5			142
	1/2	KQ2VT12-04S	26	32.5	90	82						154

\* Reference dimensions after R(PT) thread installation.  
Note) øD1: max. diameter



# Series KQ2

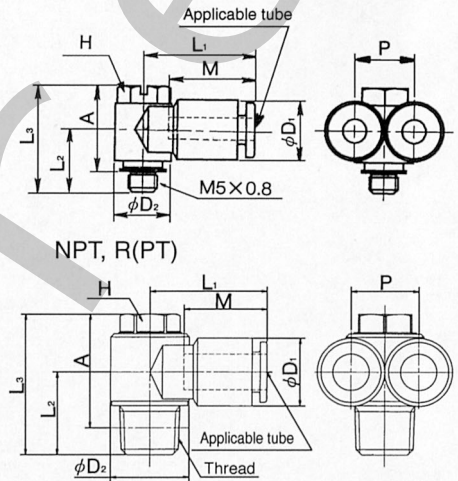
# One-touch Fittings

## Branch universal male elbow: KQ2Z Inch



Applicable tube O.D. (inch)	Thread UNF NPT	Part No.	H (Hex.)	øD <sub>1</sub>	øD <sub>2</sub>	L <sub>1</sub>	L <sub>2</sub>	L <sub>3</sub>	A*	M	P	Weight (g)	
1/8	10-32 UNF	KQ2Z01-32	8	8.4	9.8	16	11.2	18.5	15	12.7	8.4	2.3	
	1/8	KQ2Z01-34S		9.6	13.4	20.5	14.5	26.5	22.5	15.5	9.6	2.5	
5/32	10-32 UNF	KQ2Z03-32	8	10.4	9.8	19.5	11	18.5	15	16	10.4	2.3	
	1/8	KQ2Z03-34S		13.4	21	14.5	26.5	22.5	16	10.4	2.8		
3/16	10-32 UNF	KQ2Z05-32	8	11.4	13.4	21.5	14.5	26.5	22.5	16.5	11.4	3.5	
	1/8	KQ2Z05-34S		13.4	21.5	14.5	26.5	22.5	16.5	11.4	3.5		
1/4	10-32 UNF	KQ2Z07-32	8	13.2	13.4	21.5	12	24	20.5	17	13.2	2.3	
	1/8	KQ2Z07-34S		14.5	26.5	22.5	17	13.2	4.6				
	1/4	KQ2Z07-35S		11.11	15.2	17.6	26	18.5	31.5				25.5
5/16	10-32 UNF	KQ2Z09-32	8	15.2	17.6	26	15.5	28.5	24.5	18.5	15.2	6	
	1/8	KQ2Z09-34S		11.11	15.2	17.6	26	18.5	31.5				25.5
	3/8	KQ2Z09-36S		12.7	20.6	27	20.5	36.5	30				
3/8	10-32 UNF	KQ2Z11-32	8	17.9	20.6	28.5	19.5	35.5	29.5	21	17.9	7	
	1/4	KQ2Z11-35S		12.7	17.9	20.6	28.5	20.5	36.5				30
1/2	10-32 UNF	KQ2Z13-32	8	21.7	27	33	21.5	36	30	21.7	21.7	9	
	3/8	KQ2Z13-36S		17.46	21.7	27	33	24.5	39				31

10 - 32 UNF, M5

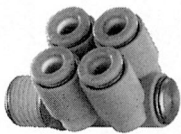


## KQ2Z Metric

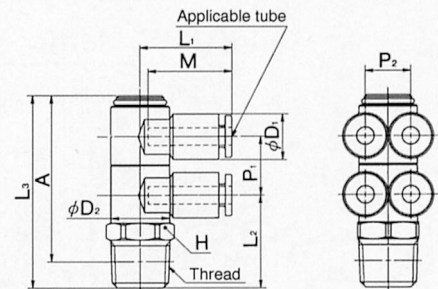
Applicable tube O.D. (mm)	Thread R(PT)	Part No.	H (Hex.)	øD <sub>1</sub>	øD <sub>2</sub>	L <sub>1</sub>	L <sub>2</sub>	L <sub>3</sub>	A*	M	P	Effective orifice (mm <sup>2</sup> )		Weight (g)				
												Nylon	Urethane					
4	M5×0.8	KQ2Z04-M5	8	10.4	9.8	19.5	11	18.5	15	16	10.4	3.4	3.4	8				
	1/8	KQ2Z04-01S			13.4	21	14.5	26.5	22.5			4.7	4.7	16				
6	1/8	KQ2Z06-01S	8	13.4	22	14.5	26.5	22.5	17	12.8	10.8	10.8	18					
	1/4	KQ2Z06-02S			12.8	20.6	25.5	19.5						35.5	29.5	40		
	3/8	KQ2Z06-03S			14	20.6	27	20.5						36.5	30	48		
8	1/8	KQ2Z08-01S	12	15.2	17.6	26	15.5	28.5	24.5	18.5	15.2	20.5	14.2	28				
	1/4	KQ2Z08-02S			12	17.6	26	18.5	31.5					25.5	34			
	3/8	KQ2Z08-03S			14	20.6	27	20.5	36.5					30	50			
10	1/4	KQ2Z10-02S	14	18.5	20.6	29	19.5	35.5	29.5	21	18.5	31.8	22.6	46				
	3/8	KQ2Z10-03S					14	18.5	20.6					29	20.5	36.5	30	54
	1/2	KQ2Z10-04S					17	20.9	25.2					32.5	22	39	32.5	71
12	1/2	KQ2Z12-04S	17	20.9	25.2	32.5	25	42	34	22	20.9	44.6	35.3	88				

\*Reference dimensions after R(PT) thread installation.  
Note) øD<sub>1</sub>: max. diameter

## Double branch universal male elbow: KQ2ZD Inch

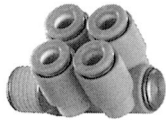


Applicable tube O.D. (inch)	Thread UNF NPT	Part No.	H (Hex.)	øD <sub>1</sub>	øD <sub>2</sub>	L <sub>1</sub>	L <sub>2</sub>	L <sub>3</sub>	A*	M	P <sub>1</sub>	P <sub>2</sub>	Weight (g)			
1/8	1/8	KQ2ZD01-34S	14.29	9.6	13.4	20.5	18	41	37	15.5	13.4	9.6	2.5			
5/32	1/8	KQ2ZD03-34S	14.29	10.4	13.4	21	18.5	41	37	16	13.4	10.4	3			
3/16	1/8	KQ2ZD05-34S	14.29	11.4	13.4	21.5	18	41	37	16.5	13.4	11.4	3.5			
	1/8	KQ2ZD07-34S												18.5	41.5	37.5
1/4	1/4	KQ2ZD07-35S	14.29	13.2	13.4	21.5	21.5	44.5	38.5	17	13.8	13.2	4.6			
	3/8	KQ2ZD07-36S												17.46	23.5	46.5
5/16	1/4	KQ2ZD09-35S	19	15.2	17.6	26	24	51	45	18.5	15.9	15.2	6			
	3/8	KQ2ZD09-36S												25	52	45.5
	1/2	KQ2ZD09-37S												22.23	28.5	55.5
3/8	1/4	KQ2ZD11-35S	22.23	17.9	20.6	28.5	26	58	52	21	19.2	17.9	7			
	3/8	KQ2ZD11-36S												27	59	52.5
	1/2	KQ2ZD11-37S												30	62	54
1/2	3/8	KQ2ZD13-36S	25.4	21.7	27	33	32	66.5	60.5	22	22.3	21.7	9.6			
	1/2	KQ2ZD13-37S												35	69.5	61.5

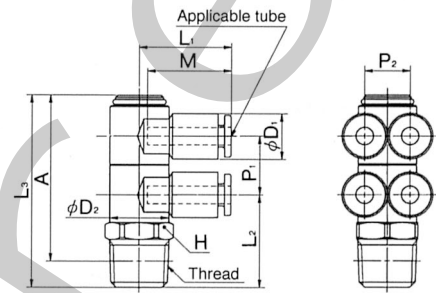




Double branch universal male elbow: KQ2ZD Metric



Applicable tube O.D. (mm)	Thread R(PT)	Part No.	H (Hex)	øD1	øD2	L1	L2	L3	A*	M	P1	P2	Weight (g)
4	1/8	KQ2ZD04-01S	14	10.4	13.4	21	18.5	41	37	16	13.4	10.4	35
	1/4	KQ2ZD04-02S					21.5	44	38				41
	3/8	KQ2ZD04-03S					23.5	46	40				54
6	1/8	KQ2ZD06-01S	14	12.8	13.4	22	18.5	41	37	17	13.4	12.8	40
	1/4	KQ2ZD06-02S					21.5	44	38				45
	3/8	KQ2ZD06-03S					23.5	46	40				59
8	1/8	KQ2ZD08-01S	19	15.2	17.6	26	21	48	44	18.5	15.9	15.2	78
	1/4	KQ2ZD08-02S					24	51	45				74
	3/8	KQ2ZD08-03S					25	52	45.5				83
	1/2	KQ2ZD08-04S					28.5	55.5	47.5				104
10	1/4	KQ2ZD10-02S	21	18.5	20.6	29	26.5	58	52	21	19.2	18.5	111
	3/8	KQ2ZD10-03S					27.5	59	53				128
	1/2	KQ2ZD10-04S					30.5	62	54				178
12	1/4	KQ2ZD12-02S	26	20.9	25.2	32	28.5	64.5	58.5	22	21.6	20.9	167
	3/8	KQ2ZD12-03S					29.5	65.5	59				179
	1/2	KQ2ZD12-04S					32.5	68.5	60				

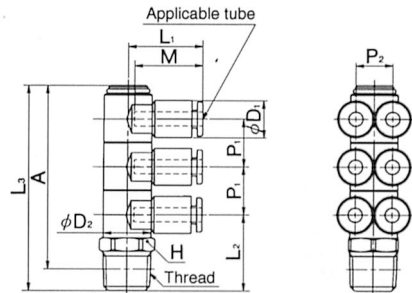


\* Reference dimensions after R(PT) thread installation.  
 (Note) øD1: max. diameter

Triple branch universal male elbow: KQ2ZT Inch



Applicable tube O.D. (inch)	Thread UNF NPT	Part No.	H (Hex)	øD1	øD2	L1	L2	L3	A*	M	P1	P2	Weight (g)
1/8	1/8	KQ2ZT01-34S	14.29	9.6	13.4	20.5	18	54.5	50.5	15.5	13.4	9.6	2.5
5/32	1/8	KQ2ZT03-34S	14.29	10.4	13.4	21	18.5	54.5	50.5	16	13.4	10.4	3
3/16	1/8	KQ2ZT05-34S	14.29	11.4	13.4	21.5	18	54.5	50.5	16.5	13.4	11.4	3.5
1/4	1/8	KQ2ZT07-34S	14.29	13.2	13.4	21.5	18.5	55.5	51.5	17	13.8	13.2	4.6
	1/4	KQ2ZT07-35S					23.5	60.5	54				
	3/8	KQ2ZT07-36S					24	67	61				
5/16	1/4	KQ2ZT09-35S	19	15.2	17.6	26	25	68	61.5	18.5	15.9	15.2	6
	3/8	KQ2ZT09-36S					28.5	71.5	63.5				
	1/2	KQ2ZT09-37S					22.23						
3/8	1/4	KQ2ZD11-35S	22.23	17.9	20.6	28.5	26	77.5	71.5	21	19.2	17.9	7
	3/8	KQ2ZT11-36S					27	78.5	72				
	1/2	KQ2ZT11-37S					30	81.5	73				
1/2	3/8	KQ2ZT13-36S	25.4	21.7	27	33	32	89	83	22	22.3	21.7	9.6
	1/2	KQ2ZT13-37S					35	92	84				



KQ2ZT Metric

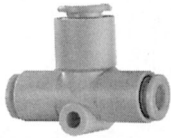
Applicable tube O.D. (mm)	Thread R(PT)	Part No.	H (Hex)	øD1	øD2	L1	L2	L3	A*	M	P1	P2	Weight (g)
4	1/8	KQ2ZT04-01S	14	10.4	13.4	21	18.5	54.5	50.5	16	13.4	10.4	27
	1/4	KQ2ZT04-02S					21.5	57.5	51.5				33
	3/8	KQ2ZT04-03S					23.5	59.5	53.5				46
6	1/8	KQ2ZT06-01S	14	12.8	13.4	22	18.5	54.5	50.5	17	13.4	12.8	30
	1/4	KQ2ZT06-02S					21.5	57.5	51.5				36
	3/8	KQ2ZT06-03S					23.5	59.5	53.5				49
8	1/8	KQ2ZT08-01S	19	15.2	17.6	26	21	64	60	18.5	15.9	15.2	59
	1/4	KQ2ZT08-02S					24	67	61				57
	3/8	KQ2ZT08-03S					25	68	61.5				65
	1/2	KQ2ZT08-04S					28.5	71.5	63.5				88
10	1/4	KQ2ZT10-02S	21	18.5	20.6	29	26.5	77.5	71.5	21	19.2	18.5	83
	3/8	KQ2ZT10-03S					27.5	78.5	72				85
	1/2	KQ2ZT10-04S					30.5	81.5	73.5				102
12	1/4	KQ2ZT12-02S	26	20.9	25.2	32	28.5	86	80	22	21.6	20.9	134
	3/8	KQ2ZT12-03S					29.5	87	80.5				130
	1/2	KQ2ZT12-04S					32.5	90	82				141

\* Reference dimensions after R(PT) thread installation.  
 (Note) øD1: max. diameter

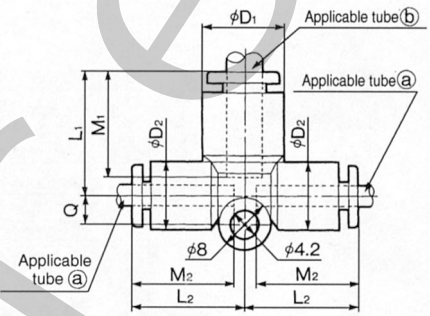
# Series KQ2

# One-touch Fittings

## Different dia. tee: KQ2T Inch



Applicable tube O.D. (inch)		Part No.	øD	L1	L2	P	Q	M1	M2	Weight (g)
a	b									
1/8	5/32	KQ2T01-03	10.4	18	18	10.4	9.7	16	16	2.5
	1/4	KQ2T01-07	13.2	38	21.5	13.2	12	15.5	17	
5/32	3/16	KQ2T03-05	11.4	36.5	20.5	11.4	10.6	16	16.5	3
	1/4	KQ2T03-07	13.2	38	21.5	13.2	12	16	17	
3/16	1/4	KQ2T05-07	13.2	38	21.5	13.2	12	16.5	17	3.5
	5/16	KQ2T07-09	15.2	42.5	24.5	15.2	13.7	17	18.5	
1/4	3/8	KQ2T07-11	17.9	47	27.5	17.9	15.6	17	21	4.6
	5/16	KQ2T09-11	17.9	47	27.5	17.9	15.6	18.5	21	
5/16	1/2	KQ2T09-13	21.7	51	30	21.7	18.8	18.5	22	6
	3/8	KQ2T11-13	21.7	51.5	30.5	21.7	18.8	21	22	



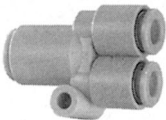
## KQ2T Metric

Applicable tube O.D. (mm)		Part No.	øD1	øD2	L1	L2	Q	M1	M2	Effective orifice (mm <sup>2</sup> )		Weight (g)
(a)	(b)									Nylon	Urethane	
3.2	4	KQ2T23-04	10.4	9.6	18	17.5	4.3	16	15.5	3.8	3.5	5
4	6	KQ2T04-06	12.8	10.4	19.5	18	4.5	17	16	7.1	6.5	6
6	8	KQ2T06-08	15.2	12.8	22.5	20	5.3	18.5	17	16.4	16.4	9
8	10	KQ2T08-10	18.5	15.2	26.5	23	6	21	18.5	36	27.2	14
10	12	KQ2T10-12	20.9	18.5	28.5	26.5	6.8	22	21	56	44.5	21
12	16	KQ2T12-16	26.5	26.5	34	39	10	25	22	108.5	92.2	88

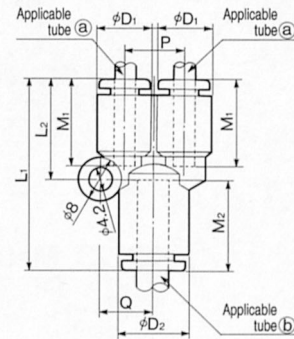
Note) øD1: max. diameter

## Different dia. union "Y": KQ2U Inch

## KQ2U Metric



Applicable tube O.D. (inch)		Part No.	øD	L	Q	M1	M2	Weight (g)
a	b							
1/8	5/32	KQ2U01-03	10.4	18	4.5	16	16	2.5
	1/4	KQ2U01-07	13.2	20.5	5.3	17	15.5	
5/32	3/16	KQ2U03-05	11.4	19.5	4.8	16.5	16	3
	1/4	KQ2U03-07	13.2	20.5	5.3	17	16	
3/16	1/4	KQ2U05-07	13.2	20.5	5.3	17	16.5	3.5
	5/16	KQ2U07-09	15.2	23	6	18.5	17	
1/4	3/8	KQ2U07-11	17.9	26	6.6	21	17	4.6
	5/16	KQ2U09-11	17.9	26	6.6	21	18.5	
5/16	1/2	KQ2U09-13	21.7	29	7.8	22	21	6
	3/8	KQ2U11-13	21.7	29	7.8	22	21	



## KQ2U Metric

Applicable tube O.D. (mm)		Part No.	øD1	øD2	L1	L2	P	Q	M1	M2	Effective orifice (mm <sup>2</sup> )		Weight (g)
(a)	(b)										Nylon	Urethane	
3.2	4	KQ2U23-04	9.6	10.4	33.5	17.5	9.6	9	15.5	16	3.2	2.7	5
4	6	KQ2U04-06	10.4	12.8	35	18	10.4	9.7	16	17	4.2	4.2	7
6	8	KQ2U06-08	12.8	15.2	39.5	20	12.8	11.7	17	18.5	13.4	13.4	12
8	10	KQ2U08-10	15.2	18.5	45	24.5	15.2	13.7	18.5	21	25.6	17.7	19
10	12	KQ2U10-12	18.5	20.9	49	27.5	18.5	16.1	21	22	40	28.4	27
12	16	KQ2U12-16	26.5	26.5	66.5	41.5	26.5	23	22	25	57.4	45.4	100

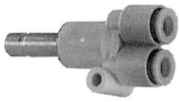
Note) øD1, øD2: max. diameter



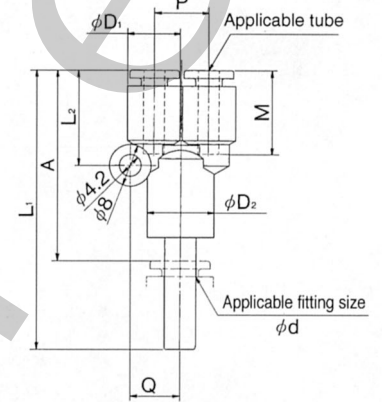
One-touch Fittings

Series KQ2

Different dia. plug-in "Y": KQ2X Inch



Applicable tube O.D. (inch)	Applicable fitting size $\phi d$	Part No.	$\phi D$	L1	L2	A	P	Q	M	Weight (g)
1/8	5/32	KQ2X01-03	10.4	51.5	18	35.5	10.4	9.7	15.5	2.5
5/32	3/16	KQ2X03-05	11.4	56	20.5	39.5	11.4	10.6	16	3.5
3/16	1/4	KQ2X05-07	13.2	56.5	21.5	39.5	13.2	12	16.5	4.6
1/4	5/16	KQ2X07-09	15.2	64.5	24.5	46	15.2	13.7	17	6



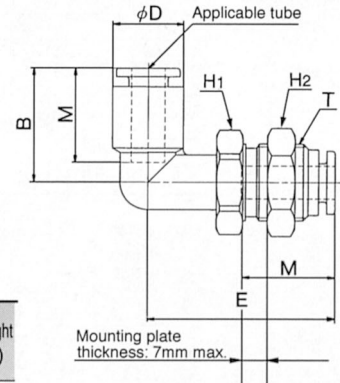
KQ2X Metric

Applicable tube O.D. (mm)	Applicable fitting size $\phi d$	Part No.	$\phi D_1$	$\phi D_2$	L1	L2	A	P	Q	M	Effective orifice (mm <sup>2</sup> )		Wt. (g)
											Nylon	Urethane	
4	6	KQ2X04-06	10.4	12.8	53.5	18.5	36.5	10.4	9.7	16	4.2	4.2	7
6	8	KQ2X06-08	12.8	15.2	61.5	20.5	43	12.8	11.7	17	13.4	13.4	19
8	10	KQ2X08-10	15.2	18.5	68.5	24.5	47.5	15.2	13.7	18.5	25.6	17.7	29
10	12	KQ2X10-12	18.5	20.9	73.5	27.5	51.5	18.5	16.1	21	40	28.4	42

Bulkhead male elbow: KQ2LE Inch



Applicable tube O.D. (inch)	Part No.	T	H1 (Hex.)	H2 (Hex.)	B	E	$\phi D$	Mounting Hole	M	Weight (g)
1/8	KQ2LE01-00	1/2-20UNF	17.46	17.46	17.5	31	9.6	13.5	15.5	2.5
5/32	KQ2LE03-00	1/2-20UNF	17.46	17.46	18	31	10.4	13.5	16	3
3/16	KQ2LE05-00	9/16-18UNF	17.46	17.46	19.5	34.5	11.4	15	16.5	3.5
1/4	KQ2LE07-00	9/16-18UNF	17.46	17.46	20.5	35	13.2	15	17	4.6
5/16	KQ2LE09-00	3/4-16UNF	22.23	22.23	23.5	38.5	15.2	20	18.5	6
3/8	KQ2LE11-00	7/8-14UNF	25.4	25.4	25.5	43	17.9	23	21	7
1/2	KQ2LE13-00	1-12UNF	28.6	28.6	28	46	21.7	26	22	9.6

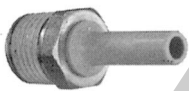


KQ2LE Metric

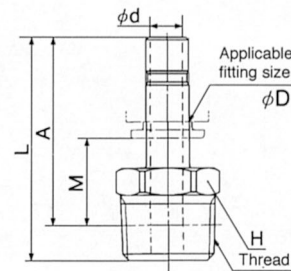
Applicable tube O.D. (mm)	Part No.	T	H1 (Hex.)	H2 (Hex.)	B	E	$\phi D$	Mounting hole	M	Effective orifice (mm <sup>2</sup> )		Weight (g)
										Nylon	Urethane	
4	KQ2LE04-00	M12 x 1	14	14	18.5	31	10.4	13	16	4.2	4.2	18
6	KQ2LE06-00	M14 x 1	17	17	20.5	34	12.8	15	17	11.4	11.4	25
8	KQ2LE08-00	M16 x 1	17	19	23.5	38.5	15.2	17	18.5	21.6	14.9	33
10	KQ2LE10-00	M20 x 1	22	24	26.5	43.5	18.5	21	21	35.2	25.0	63
12	KQ2LE12-00	M22 x 1	24	27	28.5	45.5	20.9	23	22	50.2	39.7	77

Note)  $\phi D$ : max. diameter

Adaptor: KQ2N Metric



Applicable fitting size $\phi d$	Thread R(PT)	Part No.	H (Hex.)	L	A	M	$\phi d$	Weight (g)
4	M5 x 0.8	KQ2N04-M5	7	32	29	13	2.5	2
	1/8	KQ2N04-01S	10	34	30	14		6
6	M5 x 0.8	KQ2N06-M5	7	33	30	13	2.5	2
	1/8	KQ2N06-01S	10	35	31	14		5
8	1/4	KQ2N06-02S	14	37.5	31.5	14.5	4.5	14
	1/4	KQ2N08-02S	14	39	33	14.5		17
10	3/8	KQ2N08-03S	17	41	34.5	16	6	30
	3/8	KQ2N10-03S	17	46	39.5	18.5		31



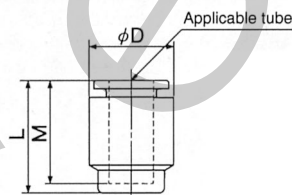
# Series KQ2

# One-touch Fittings

## Tube cap: KQ2C Inch



Applicable tube O.D. (inch)	Part No.	øD <sub>1</sub>	L	M
5/32	KQ2C03-00	10.4	17	16
1/4	KQ2C07-00	13.2	18	17
5/16	KQ2C09-00	15.2	20.5	18.5
3/8	KQ2C11-00	17.9	22.5	21



### KQ2C Metric

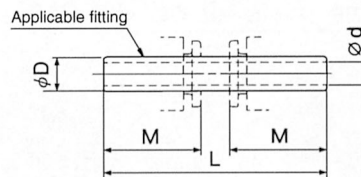
Applicable tube O.D. (mm)	Part No.	øD	L	M	Weight (g)
4	KQ2C04-00	10.4	17	16	3
6	KQ2C06-00	12.8	18.5	17	3
8	KQ2C08-00	15.2	20.5	18.5	4
10	KQ2C10-00	18.5	23	21	6
12	KQ2C12-00	20.9	24	22	8
16	KQ2C16-00	26.5	28	25	13

Note) øD: max. diameter

## Nipple: KQ2N Inch



Applicable tube O.D. (Inch)	Part No.	L	M	øD
1/8	KQ2N01-99	36	15.5	2.2
3/16	KQ2N05-99	38	16.5	3.5
1/4	KQ2N07-99	39	17	4.6
3/8	KQ2N11-99	49	21	7.5
1/2	KQ2N13-99	51	22	10



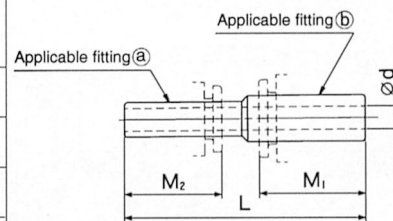
### KQ2N Metric

Applicable fitting øD	Part No.	L	M	ød	Weight (g)
4	KQ2N04-99	37	16	2.5	1
6	KQ2N06-99	39	17	4	2
8	KQ2N08-99	43	18.5	6	2
10	KQ2N10-99	49	21	7.5	4
12	KQ2N12-99	52	22	9	20.6
16	KQ2N16-99	57	25	13	31

## Reducer nipple: KQ2N Inch



Applicable tube O.D. (inch)	Applicable fitting size ød (inch)	Part No.	L	M <sub>1</sub>	M <sub>2</sub>	ø d
1/8	5/32	KQ2N01-03	36.5	16	15.5	2.2
	3/16	KQ2N01-05	37	16.5		
5/32	3/16	KQ2N03-05	37.5	16.5	16	2.5
	1/4	KQ2N03-07	38	17		
3/16	1/4	KQ2N05-07	38.5	17	16.5	3.5
	5/16	KQ2N05-09	41	18.5		
1/4	5/16	KQ2N07-09	41.5	18.5	17	4.5
	3/8	KQ2N07-11	45	21		
5/16	3/8	KQ2N09-11	46.5	21	18.5	6
	1/2	KQ2N09-13	47.5	22		
3/8	1/2	KQ2N11-13	50	22	21	7



### KQ2N Metric

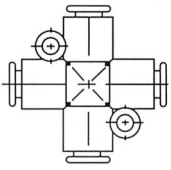
Applicable fitting		Part No.	L	M <sub>1</sub>	M <sub>2</sub>	ø d	Weight (g)
(a)	(b)						
4	6	KQ2N04-06	38	17	16	2.5	2
6	8	KQ2N06-08	42	18.5	17	4	2
8	10	KQ2N08-10	47	21	18.5	6	13.2
10	12	KQ2N10-12	51	22	21	8	18.2
12	16	KQ2N12-16	55	25	22	9	29



One-touch Fittings

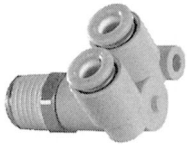
Series KQ2

Cross union:



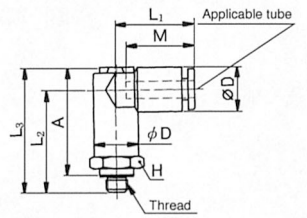
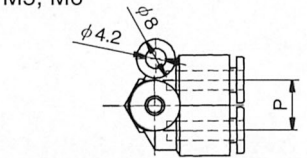
Applicable tube O.D. (inch)	Part No.	øD	L	Q	M	Weight (g)
1/4	KQ2TW07-00	10.4	18	8.7	16	3
3/8	KQ2TW11-00	13.2	20.5	10.1	17	4.6
1/2	KQ2TW13-00	15.2	23	11.1	18.5	6
1/2	KQ2TW13-00	17.9	26	12.5	21	7
1/2	KQ2TW13-00	21.7	29	14.4	22	9.6

Branch union: KQ2LU Metric

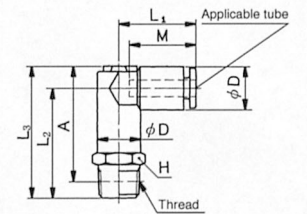
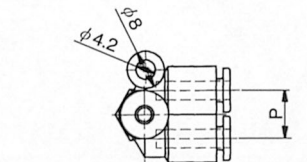


Applicable tube O.D. (mm)	Thread R(PT)	Part No.	H (Hex.)	øD	L1	L2	L3	A*	M	P	Effective orifice(mm²)		Weight (g)		
											Nylon	Urethane			
4	M5×0.8	KQ2LU04-M5	11	10.4	18.5	24	29.5	25.5	16	10.4	4.3	4.3	10		
	M6×1.0	KQ2LU04-M6				24.5	30								
	1/8	KQ2LU04-01S				26.5	32	27.5						6.0	6.0
	1/4	KQ2LU04-02S				30.5	36	30							
6	M5×0.8	KQ2LU06-M5	13	12.8	21	26.5	33	29.5	17	12.8	4.3	4.3	14		
	M6×1.0	KQ2LU06-M6				27	33.5								
	1/8	KQ2LU06-01S				29.5	36	32						13.9	13.9
	1/4	KQ2LU06-02S				33	39.5	33.5							
	3/8	KQ2LU06-03S				35	41.5	35						28	28
	1/8	KQ2LU08-01S				34	41.5	38							
8	1/4	KQ2LU08-02S	17	15.2	24	37	44.5	38.5	18.5	15.2	26.3	18.2	36		
	3/8	KQ2LU08-03S				38	45.5	39							
	1/4	KQ2LU10-02S				40	49.5	43.5						21	18.5
3/8	KQ2LU10-03S	41	50.5	44											
10	1/2	KQ2LU10-04S	22	18.5	27	44.5	54	45.5	21	18.5	40.8	29.0	42		
	1/4	KQ2LU12-02S	22	20.9	29	42.5	53	47							
12	3/8	KQ2LU12-03S	22	20.9	29	43.5	54	47.5	22	20.9	57.2	45.2	58		
	1/2	KQ2LU12-04S				46.5	57	49							

M5, M6



R(PT)



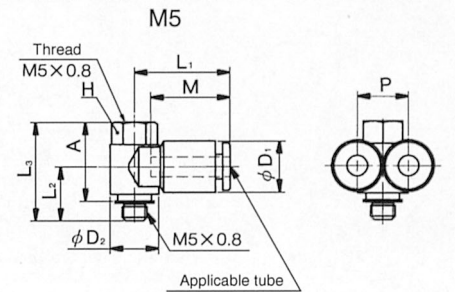
\* Reference dimensions after R(PT) thread installation.  
Note) øD: max. diameter

Branch universal female elbow: KQ2ZF Metric

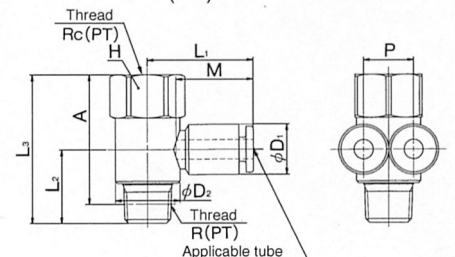


Applicable tube O.D. (mm)	Thread R(PT)	Part No.	H (Hex.)	øD1	øD2	L1	L2	L3	A*	M	P	Weight (g)
4	M5×0.8	KQ2ZF04-M5	8	10.4	9.8	19.5	11	20	16.5	16	10.4	8
	1/8	KQ2ZF04-01S	14		13.4	21	15.5	29.5	25.5			21
6	1/8	KQ2ZF06-01S	14	12.8	13.4	22	15.5	29.5	25.5	17	12.8	22
	1/4	KQ2ZF06-02S	19		20.6	25.5	22	41	35			48
8	1/8	KQ2ZF08-01S	17	15.2	17.6	25.5	17	31	27	18.5	15.2	33
	1/4	KQ2ZF08-02S	19		20.6	27	22	41	35			50
10	1/4	KQ2ZF10-02S	19	18.5	20.6	29	22	41	35	21	18.5	54
	3/8	KQ2ZF10-03S	22		25.2	31.5	24.5	45.5	39			74
12	3/8	KQ2ZF12-03S	22	20.9	25.2	32.5	24.5	45.5	39	22	20.9	77
	1/2	KQ2ZF12-04S	24		27	33	25	50	42			101

\* Reference dimensions after R(PT) thread installation.  
Note) øD1: max. diameter



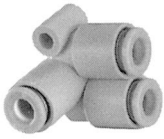
R(PT)



# Series KQ2

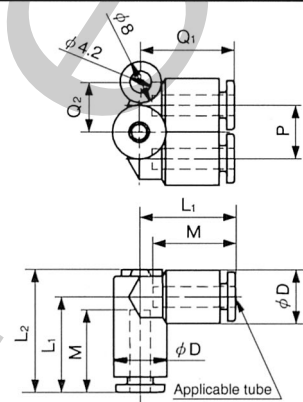
# One-touch Fittings

## Branch union elbow: KQ2LU Metric

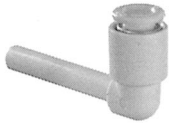


Applicable tube O.D. (mm)	Part No.	øD	L1	L2	Q1	Q2	M	P	Effective orifice(mm <sup>2</sup> )		Weight (g)
									Nylon	Urethane	
4	KQ2LU04-00	10.4	18.5	24	18.5	10	16	10.4	6.0	6.0	7
6	KQ2LU06-00	12.8	21	27.5	20.5	12	17	12.8	13.9	13.9	9
8	KQ2LU08-00	15.2	24	32	24.5	14	18.5	15.2	26.3	18.2	16
10	KQ2LU10-00	18.5	27	36.5	28	16	21	18.5	40.8	29.0	25
12	KQ2LU12-00	20.9	29	40	30	18	22	20.9	57.2	45.2	32

Note) øD: max. diameter

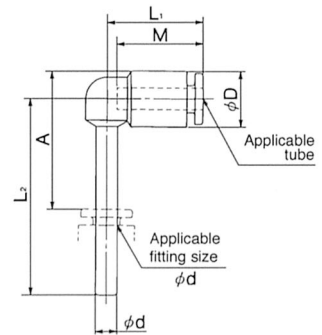


## Extended plug-in elbow: KQ2W Metric



Applicable tube O.D. (mm)	Applicable fitting size ød	Part No.	øD	L1	L2	A	M	Effective orifice(mm <sup>2</sup> )		Weight (g)
								Nylon	Urethane	
3.2	3.2	KQ2W23-99	9.6	17.5	35	24.5	15.5	3	2.5	2
4	4	KQ2W04-99	10.4	18	37	26	16	4.2	4.2	3
6	6	KQ2W06-99	12.8	20	41.5	31	17	11.4	11.4	4
8	8	KQ2W08-99	15.2	22.5	48	37	18.5	21.6	14.9	6
10	10	KQ2W10-99	18.5	25.5	55	43.5	21	35.2	25.0	9
12	12	KQ2W12-99	20.9	27	59.5	48	22	50.2	39.7	13

Note) øD: max. diameter



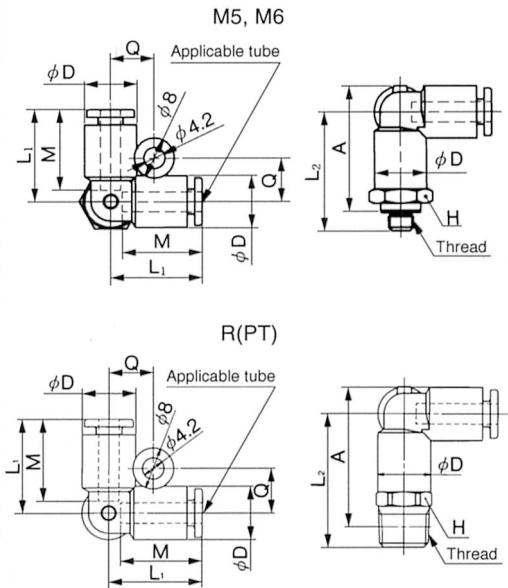
## Delta union: KQ2D Metric



R(PT)

Applicable tube O.D. (mm)	Thread R(PT)	Part No.	H (Hex)	øD	L1	L2	A*	M	Q	Effective orifice(mm <sup>2</sup> )		Weight (g)
										Nylon	Urethane	
4	M5×0.8	KQ2D04-M5	11	10.4	18.5	24	25.5	16	8.7	2.2	2.2	10
	M6×1.0	KQ2D04-M6				24.5	27.5			4.3	4.3	
	1/8	KQ2D04-01S				26.5	27.5			6.0	6.0	
	1/4	KQ2D04-02S				30.5	29.5			6.0	6.0	
6	M5×0.8	KQ2D06-M5	13	12.8	20.5	26	28.5	17	9.9	4.3	4.3	13
	M6×1.0	KQ2D06-M6				26.5	28.5			4.3	4.3	
	1/8	KQ2D06-01S				29	31.5			13.9	13.9	
	1/4	KQ2D06-02S				32.5	33			13.9	13.9	
8	3/8	KQ2D06-03S	17	15.2	23.5	34.5	34.5	18.5	11.1	26.3	18.2	27
	1/8	KQ2D08-01S	33.5			37	36					
	1/4	KQ2D08-02S	37.5			38.5						
	3/8	KQ2D08-03S	39.5			43						
10	1/4	KQ2D10-02S	19	18.5	26.5	39.5	43	21	12.8	40.8	29.0	40
	3/8	KQ2D10-03S	42			45	62					
	1/2	KQ2D10-04S	44			45						
	1/4	KQ2D12-02S	22			42	46.5					
12	3/8	KQ2D12-03S	22	20.9	28.5	43	47	22	13.9	57.2	45.2	56
	1/2	KQ2D12-04S	46			48.5	63					

\* Reference dimensions after R(PT) thread installation.  
Note) øD: max. diameter

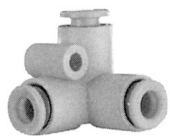




One-touch Fittings

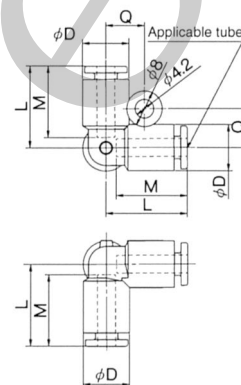
Series KQ2

Delta: KQ2D Metric

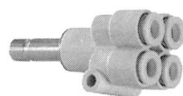


Applicable tube O.D. (mm)	Part No.	øD	L	Q	M	Effective orifice(mm <sup>2</sup> )		Weight (g)
						Nylon	Urethane	
4	KQ2D04-00	10.4	18.5	8.7	16	6.0	6.0	6
6	KQ2D06-00	12.8	20.5	9.9	17	13.9	13.9	8
8	KQ2D08-00	15.2	23.5	11.1	18.5	26.3	18.2	12
10	KQ2D10-00	18.5	26.5	12.8	21	40.8	29.0	19
12	KQ2D12-00	20.9	28.5	13.9	22	57.2	45.2	24

Note) øD: max. diameter

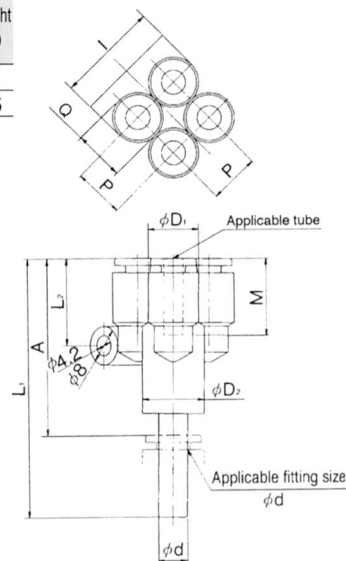


Double plug-in "Y": KQ2XD Metric

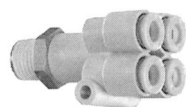


Applicable tube O.D. (mm)	Applicable fitting size ød	Part No.	øD1	øD2	L1	L2	I	Q	A	P	M	Effective orifice(mm <sup>2</sup> )		Weight (g)
												Nylon	Urethane	
4	6	KQ2XD04-06	10.4	12.8	54	18.2	21	9.7	37	10.4	16	4.2	4.2	11
6	8	KQ2XD06-08	12.8	15.2	62.5	20.3	26	11.7	44	12.8	17	13.4	13.4	25

Note) øD1: max. diameter



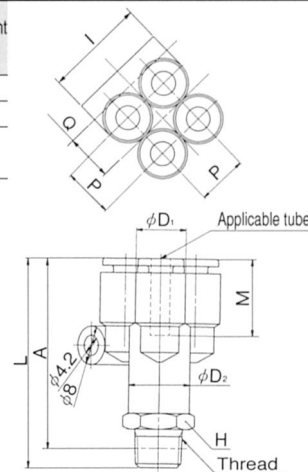
Delta branch: KQ2UD Metric



Applicable tube O.D. (mm)	Thread R(PT)	Part No.	H (Hex)	øD1	øD2	L	I	A*	Q	M	P	Effective orifice(mm <sup>2</sup> )		Weight (g)
												Nylon	Urethane	
4	1/8	KQ2UD04-01S	13	10.4	12.8	43.5	21	39.5	9.7	16	10.4	4.2	4.2	18
	1/4	KQ2UD04-02S	14			47		41						26
6	1/8	KQ2UD06-01S	17	12.8	15.2	50.5	26	46.5	11.7	17	12.8	13.4	13.4	31
	1/4	KQ2UD06-02S				53.5		47.5						

\* Reference dimensions after R(PT) thread installation.

Note) øD1: max. diameter

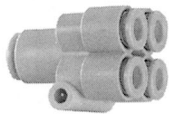




# Series KQ2

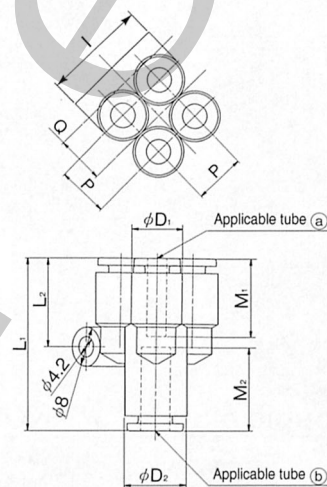
# One-touch Fittings

## Different dia. double union "Y": KQ2UD Metric



Applicable tube O.D. (mm)		Part No.	øD1	øD2	L1	L2	P	I	Q	M1	M2	Effective orifice (mm <sup>2</sup> )		Weight (g)
(a)	(b)											Nylon	Urethane	
4	6	KQ2UD04-06	10.4	12.8	35.5	18.2	10.4	21	9.7	16	17	4.2	4.2	11
6	8	KQ2UD06-08	12.8	15.2	40.5	20.3	12.8	26	11.7	17	18.5	13.4	13.4	19

Note) øD1, øD2: max. diameter

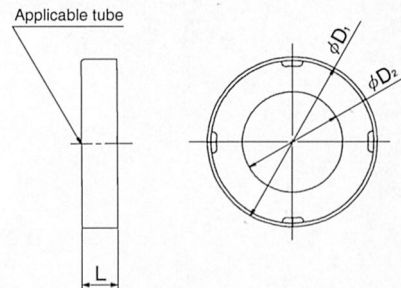


## Color cap: KQ2C Metric



Applicable tube O.D. (mm)	Part No.	øD1	øD2	L	Weight (g)	Note
4	KQ2C-04	10.1	5.2	2.9	0.1	
4	KQ2C-04A-	8.5	5	2.2	0.1	KQH, KQ2H04-M5, M6 KQS, KQ2S04-M5, M6 KQL, KQ2L04-M5, M6 KQT, KQ2T04-M5, M6 KQY, KQ2Y04-M5, M6
4	KQ2C-04B-	9.7	5	2.2	0.1	
6	KQ2C-06	12.1	7.2	2.9	0.1	
6	KQ2C-06A-	10.5	7	2.2	0.1	KQH, KQ2H06-M5, M6 KQS, KQ2S06-M5, M6 KQL, KQ2L06-M5, M6 KQT, KQ2T06-M5, M6 KQY, KQ2Y06-M5, M6
6	KQ2C-06B-	12.0	7	2.2	0.1	
8	KQ2C-08	14.1	9.2	2.9	0.1	
10	KQ2C-10	17.1	11.2	2.9	0.2	
12	KQ2C-12	19.1	13.2	2.9	0.2	
16	KQ2C-16	26.3	17.2	3.9	0.3	

□ → B(Black), R(Red), YR(Orange), BR(Brown), Y(Yellow)  
G(Green), CB(Sky Blue), W(White)





# Made to Order

**Series KQ2** Consult P/A with regard to detailed specifications, dimensions and delivery.

## ① Oil-less applications — Vaseline is used as lubricant.

For use in oil-less applications, for example, in paint air lines.

**Specification** — Same as KQ2 series.

**Dimension** — Same as KQ2 series.

**How to Order** — Add “-X12” at the end of the standard part number. (Example, KQ2H 06-02-X12)

## ② Stainless steel One-touch fittings

For use in highly corrosive atmospheres where brass is not acceptable.

**Specification** — Same as KQ2 series.

**Dimension** — Same as KQ2 series.  
(Some may be different, consult P/A)

### Materials in each part

Body*	SUS□, PBT
Stud *	SUS□ (Thread portion)
Chuck	SUS304
Guide*	SUS□, POM
Collet, release bushing	POM
Packing, O-ring	NBR

\* Every one of SUS303, SUS304 and SUS316 is possible to use.

**How to Order** — Consult P/A.

