

Hyperflare™

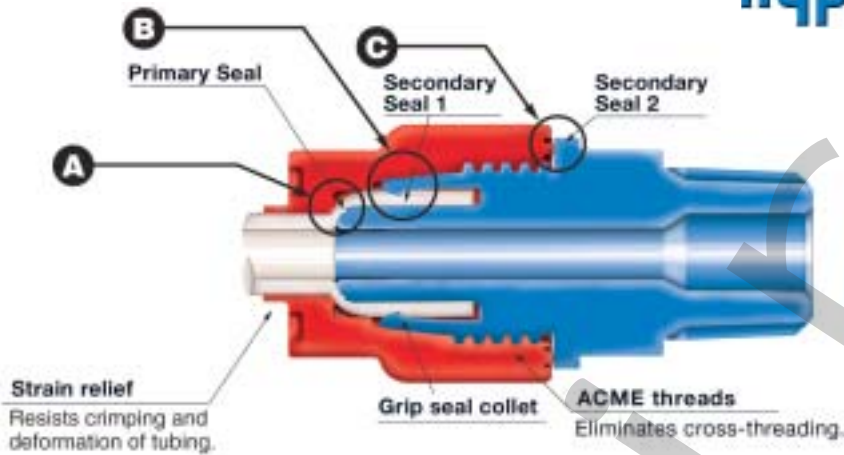
Series LQ3

High Purity Fluororesin Fitting



- Grip seal construction with Hyperflare™
- 3-point seal
- Easy to assemble & construct
- Greater swept flow characteristics
- Excellent heat resistance
- 150°C operating temperature

Hyperflare™



Series **LQ3**

High Purity Fluororesin Fitting

How to Order

Threaded connection

LQ3 H 1A M

Fitting Style

Symbol	Style
H	Straight
L	Elbow

Thread Type

Symbol	Type
Nil	R, Rc
N	NPT

Piping Type

Symbol	Type
M	Male

Size Combination

Class	Combination	Tubing Size (Inch)	Thread Size
1	A	1/8 x 0.086	1/8"
2	A	1/4 x 5/32	1/8"
2	B	1/4 x 5/32	1/4"
3	A	3/8 x 1/4	1/8"
3	B	3/8 x 1/4	1/4"
3	C	3/8 x 1/4	3/8"
4	A	1/2 x 3/8	1/4"
4	B	1/2 x 3/8	3/8"
4	C	1/2 x 3/8	1/2"
5	A	3/4 x 5/8	3/8"
5	B	3/4 x 5/8	1/2"
5	C	3/4 x 5/8	3/4"
6	A	1 x 7/8	1/2"
6	B	1 x 7/8	3/4"
6	C	1 x 7/8	1"

Tubing Connection

LQ3 E 1A

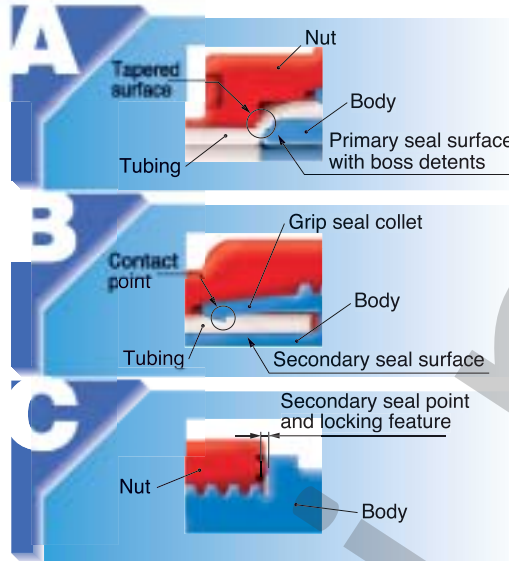
Fitting Style

Symbol	Style
E	Elbow Union
T	Tee Union
P	Panel Union
U	Straight Union

Size Combination

Class	Combination	Tube Size (Inch)
1	A	1/8" x 0.086"
2	A	1/4" x 5/32"
3	A	3/8" x 1/4"
4	A	1/2" x 3/8"
5	A	3/4" x 5/8"
6	A	1" x 7/8"

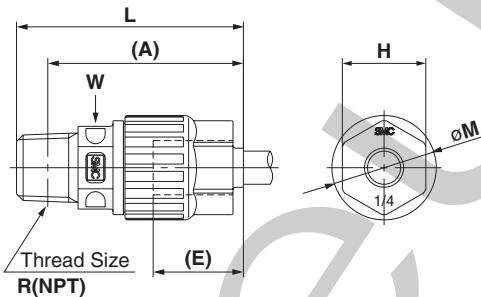
Triple seal construction



Series LQ3

Dimensions

Straight Male Connector : LQ3H-M

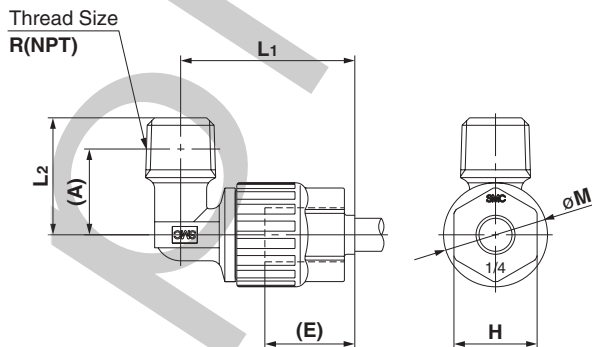


Inch Size

(mm)

Model	Tubing O.D.	Thread Size R-NPT	A	E	H	L	M	W
LQ3H1A-M	1/8"	1/8"	29.5	10	11	33.5	14	10
LQ3H2A-M	1/4"	1/8"	37.5	17	16	43.5	20	14
LQ3H2B-M		1/4"						
LQ3H3A-M	3/8"	1/8"	48.5	22.5	21	55	25	18
LQ3H3B-M		1/4"						
LQ3H3C-M	3/8"	3/8"						
LQ3H4A-M	1/2"	1/4"	56	24.5	24	64	29	22
LQ3H4B-M		3/8"						
LQ3H4C-M		1/2"						
LQ3H5A-M	3/4"	3/8"	66.5	27	32	76	37	30
LQ3H5B-M		1/2"						
LQ3H5C-M		3/4"						
LQ3H6A-M	1"	1/2"	77.5	30	41	88	49	36
LQ3H6B-M		3/4"						
LQ3H6C-M		1"						

Male Elbow : LQ3L-M



Inch Size

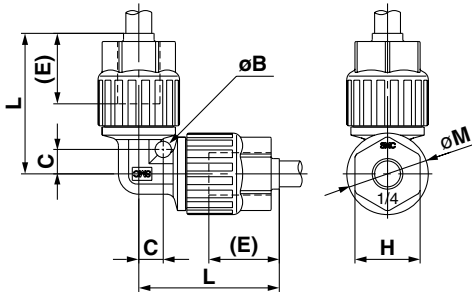
(mm)

Model	Tubing O.D.	Thread Size R-NPT	A	E	H	L ₁	L ₂	M
LQ3L1A-M	1/8"	1/8"	12.5	10	11	26	16.5	14
LQ3L2A-M	1/4"	1/8"	16.5	17	16	33.5	22.5	20
LQ3L2B-M		1/4"						
LQ3L3A-M	3/8"	1/8"	21.5	22.5	21	46	28	25
LQ3L3B-M		1/4"						
LQ3L3C-M	3/8"	3/8"						
LQ3L4A-M	1/2"	1/4"	25	24.5	24	54.5	33	29
LQ3L4B-M		3/8"						
LQ3L4C-M		1/2"						
LQ3L5A-M	3/4"	3/8"	30.5	27	32	64	40	37
LQ3L5B-M		1/2"						
LQ3L5C-M		3/4"						
LQ3L6A-M	1"	1/2"	35.5	30	41	77	46	49
LQ3L6B-M		3/4"						
LQ3L6C-M		1"						

Series LQ3

Dimensions

Elbow Union : LQ3E

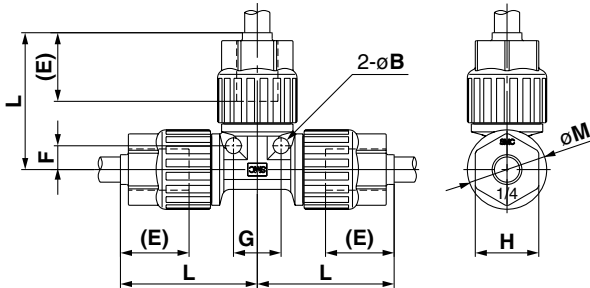


Inch Size

(mm)

Model	Tubing O.D.	B	C	E	H	L	M
LQ3E1A	1/8"	3.5	4.8	10	11	28.5	14
LQ3E2A	1/4"	4	6	17	16	34.5	20
LQ3E3A	3/8"	5	9	22.5	21	47.5	25
LQ3E4A	1/2"	6	10	24.5	24	52.5	29
LQ3E5A	3/4"	7	14	27	32	64	37
LQ3E6A	1"	8	18	30	41	78	49

Tee Union : LQ3T

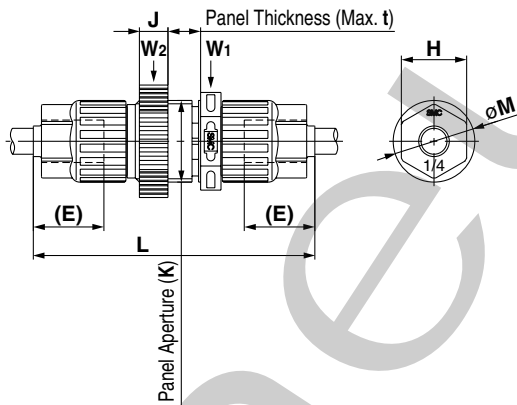


Inch Size

(mm)

Model	Tubing O.D.	B	E	F	G	H	L	M
LQ3T1A	1/8"	3.5	10	4.8	9.5	11	28.5	14
LQ3T2A	1/4"	4	17	6	12	16	34.5	20
LQ3T3A	3/8"	5	22.5	9	18	21	47.5	25
LQ3T4A	1/2"	6	24.5	10	20	24	52.5	29
LQ3T5A	3/4"	7	27	14	28	32	64	37
LQ3T6A	1"	8	30	18	36	41	78	49

Panel Union : LQ3P

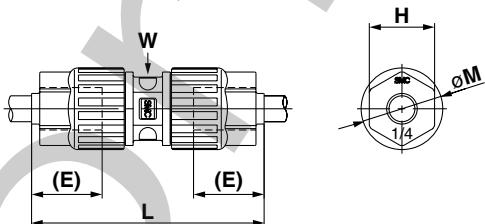


Inch Size

(mm)

Model	Tubing O.D.	E	H	J	K	L	M	t	W ₁	W ₂
LQ3P1A	1/8"	10	11	6	14.5	58	14	8	16	17
LQ3P2A	1/4"	17	16	7	20.5	69	20	8	21	24
LQ3P3A	3/8"	22.5	21	7	24.5	89	25	8	26	28
LQ3P4A	1/2"	24.5	24	9	30.5	100	29	8	32	36
LQ3P5A	3/4"	27	32	9	36.5	117	37	13	41	43
LQ3P6A	1"	30	41	10	48.5	136	49	13	50	55

Straight Union : LQ3U



Inch Size

(mm)

Model	Tubing O.D.	E	H	L	M	W
LQ3U1A	1/8"	10	11	46.5	14	10
LQ3U2A	1/4"	17	16	57	20	14
LQ3U3A	3/8"	22.5	21	79	25	18
LQ3U4A	1/2"	24.5	24	88	29	22
LQ3U5A	3/4"	27	32	103	37	30
LQ3U6A	1"	30	41	122	49	36