

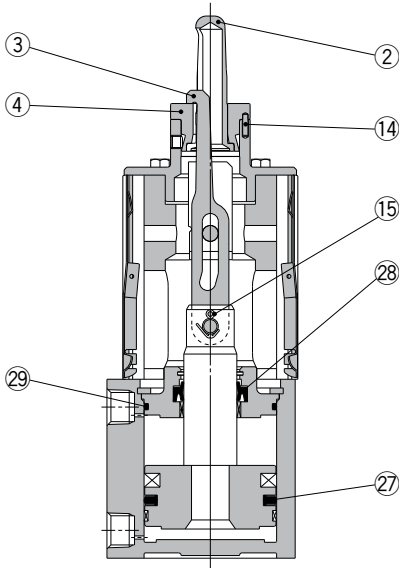
# Series CKQGK/CKQPK

Replacement Procedure is P.374

## Construction

### CKQGKC50

\* The below figures indicate the CKQGKC50-□RAL.

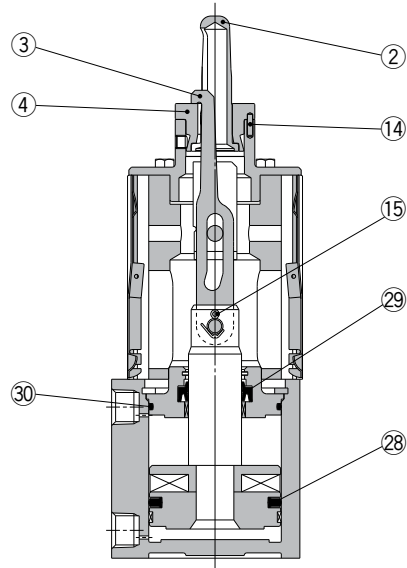


\* There's no seal kit for CKQGKC50.

\* The numbers are the same as the "Construction" of the Best Pneumatics No.3 Series CKQ□K/CLKQ□K.

### CKQPKC50

\* The below figures indicate the CKQPKC50-□RAL.



\* There's no seal kit for CKQPKC50.

\* The numbers are the same as the "Construction" of the Best Pneumatics No.3 Series CKQ□K/CLKQ□K.

### Seal Kit List

| No. | Description | Material | Note |
|-----|-------------|----------|------|
| 27  | Piston seal | NBR      |      |
| 28  | Rod seal    |          |      |
| 29  | Tube gasket |          |      |

### Replacement Parts: Seal Kit

| Kit no.                   | Content                       |
|---------------------------|-------------------------------|
| <a href="#">CQ2B50-PS</a> | Set of nos. above. 27, 28, 29 |

\* Consult SMC for maintenance service. Seal kit for maintenance of the CLKQ series with lock is not available.

### Replacement Parts: Grease Pack

| Grease pack part no.     | Content               |
|--------------------------|-----------------------|
| <a href="#">GR-S-010</a> | Grease 10 g (Lithium) |

\* Consult SMC when replacing the actuating cylinders.

### Seal Kit List

| No. | Description | Material | Note |
|-----|-------------|----------|------|
| 28  | Piston seal | NBR      |      |
| 29  | Rod seal    |          |      |
| 30  | Tube gasket |          |      |

### Replacement Parts: Seal Kit

| Kit no.                   | Content                       |
|---------------------------|-------------------------------|
| <a href="#">CQ2B50-PS</a> | Set of nos. above. 28, 29, 30 |

\* Consult SMC for maintenance service. Seal kit for maintenance of the CLKQ series with lock is not available.

### Replacement Parts: Grease Pack

| Grease pack part no.     | Content               |
|--------------------------|-----------------------|
| <a href="#">GR-S-010</a> | Grease 10 g (Lithium) |

\* Consult SMC when replacing the actuating cylinders.

### Guide Pins Assembly List

| No. | Description         | Material        | Note |
|-----|---------------------|-----------------|------|
| 2 4 | Guide pins assembly | Stainless steel |      |
| 14  | Parallel pin        | Tool steel      |      |

\* Refer to page 183 for the guide pins assembly.

### Clamp Arm Assembly List

| No. | Description | Material         | Note |
|-----|-------------|------------------|------|
| 3   | Clamp arm   | Structural steel |      |
| 15  | Cotter pin  | Stainless steel  |      |

Actuators

Modular F.R.L.  
Pressure Control Equipment

Air Preparation  
Equipment

Industrial Filters

Replacement  
Procedure

Actuators

Modular F.R.L.  
Pressure Control Equipment

Industrial Filters