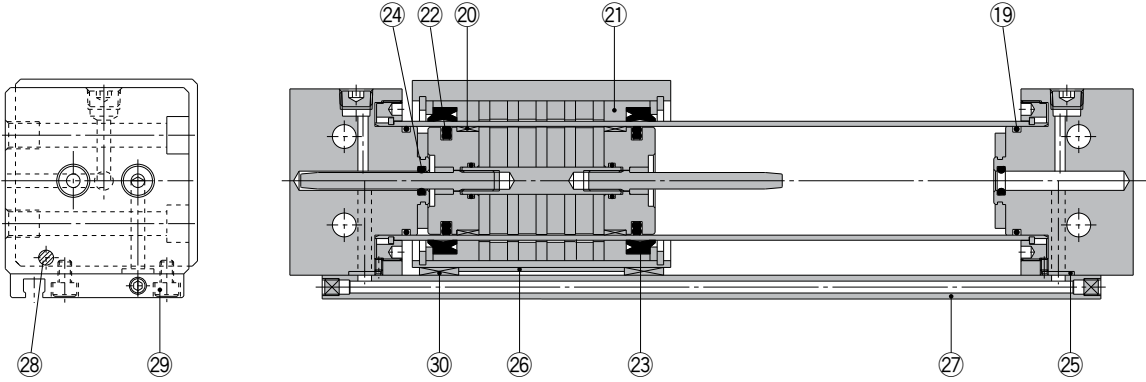


# Series REBR

ø15, ø25, ø32

Replacement  
Procedure is  
P.316

## Construction



\* The numbers are the same as the "Construction" of the Best Pneumatics No.3 Series REBR.

### Seal Kit List

No.	Description	Material	Note
19	Cylinder tube gasket	NBR	26 to 29 are non-replaceable parts, so they are not included in the seal kit.
20	Wear ring A	Special resin	
21	Wear ring B	Special resin	
22	Piston seal	NBR	
23	Scraper	NBR	
24	Cushion seal	NBR	
25	Switch rail gasket	NBR	
26	Magnetic shielding plate	Rolled steel plate/Chromated	
27	Switch rail	Aluminum alloy/Clear anodized	
28	Magnet	—	
29	Hexagon socket head cap screw	Chromium steel/Nickel plated	
30	Wear ring C	Special resin	

\*[BLUE](#) links will lead to purchase pages.

### Replacement Parts: Seal Kit

Bore size (mm)	Kit no.	Contents
15	<a href="#">REBR15-PS</a>	Set of left nos. 19, 20, 21, 22, 23, 24, 25, 30
25	<a href="#">REBR25-PS</a>	
32	<a href="#">REBR32-PS</a>	

Note) Cushion seal 24 may be difficult to be replaced.

\* Seal kit includes a grease pack (10 g).

Order with the following part number when only the grease pack is needed.

Grease pack part no.: GR-S-010 (10 g)

Actuators

Modular F.R.L.  
Pressure Control Equipment

Air Preparation  
Equipment

Industrial Filters

Replacement  
Procedure

Actuators

Modular F.R.L.  
Pressure Control Equipment

Industrial Filters