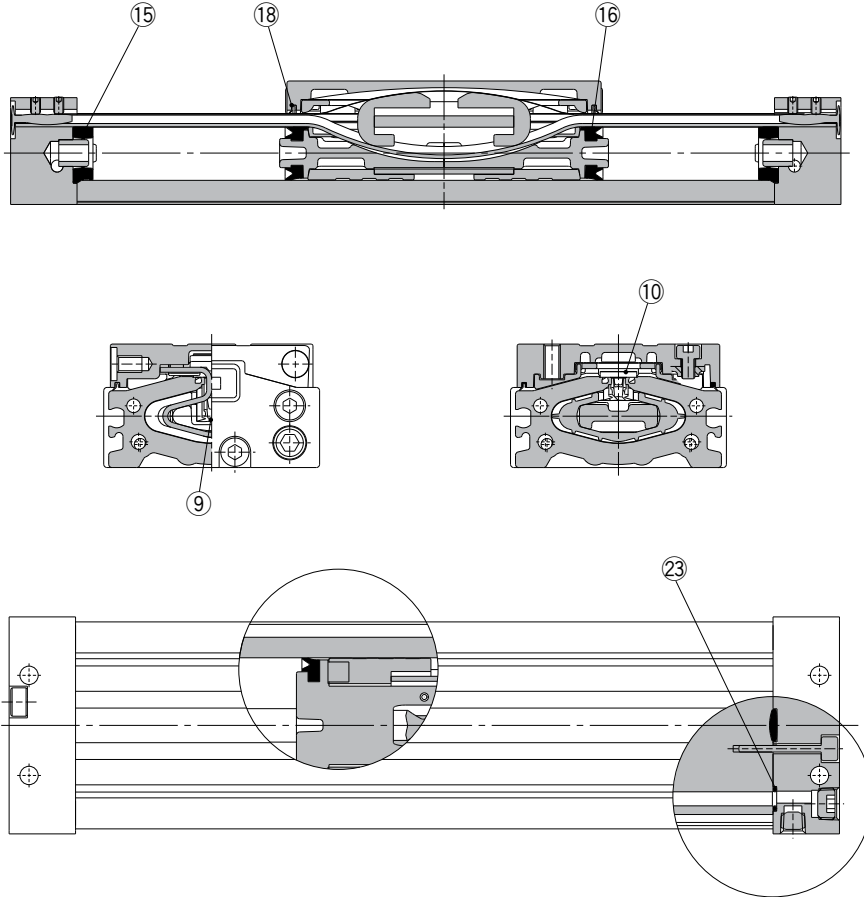


# Series MY3A $\phi 16, \phi 25, \phi 40, \phi 63$

Replacement Procedure is P.312

## Construction



\* The numbers are the same as the "Construction" of the MY3 series catalog (CAT.ES20-165).

\*[BLUE links will lead to purchase pages.](#)  
Call or email us at [sales@smcpneumatics.com](mailto:sales@smcpneumatics.com) for request.

### Replacement Parts: Seal (Order them as required with by individual part numbers.)

No.	Description	Material	Qty.	MY3A16	MY3A25	MY3A40	MY3A63
9	Seal belt	Polyamide	1	MY3A16-16A-Stroke	MY3A25-16A-Stroke	MY3A40-16A-Stroke	MY3A63-16A-Stroke
10	Dust seal band	Stainless steel	1	MY3A16-16B-Stroke	MY3A25-16B-Stroke	MY3A40-16B-Stroke	MY3A63-16B-Stroke
15	Gasket bumper	NBR	2	RMA-16	RMA-25	RMA-40	RMA-63
16	Piston seal	NBR	2	RMY-16	RMY-25	RMY-40	RMY-63
18	Scraper	Polyamide	1	MYA16-15-R6656	MYA25-15-R6657	MYA40-15-R6658	MYA63-15-R6659
23	O-ring	NBR	4	KA00020 ( $\phi 6.2 \times \phi 3 \times \phi 1.6$ )	KA00048 —	KA00156 ( $\phi 10.5 \times \phi 8.5 \times \phi 1$ )	KA00036 —

\* When 9 and 10 are shipped as single units, a grease pack is included (10 g per 1000 strokes).

Order with the following part number when only the grease pack is needed.

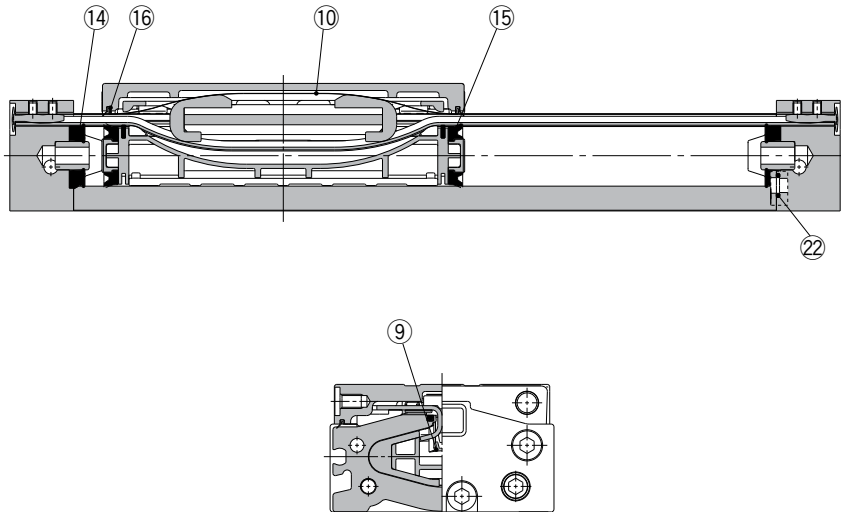
Grease pack part no.: GR-S-010 (10 g), GR-S-020 (20 g)

\* For instructions on how to replace replacement parts/seals, refer to the operation manual.

# Series MY3A ø20, ø32, ø50

Replacement  
Procedure is  
P.312

## Construction



\* The numbers are the same as the "Construction" of the MY3 series catalog (CAT.ES20-165).

\*[BLUE](#) links will lead to purchase pages.  
Call or email us at [sales@smcpneumatics.com](mailto:sales@smcpneumatics.com) for request.

### Replacement Parts: Seal (Order them as required with by individual part numbers.)

No.	Description	Material	Qty.	MY3A20	MY3A32	MY3A50
9	Seal belt	Polyamide	1	MY3A20-16A- <a href="#">Stroke</a>	MY3A32-16A- <a href="#">Stroke</a>	MY3A50-16A- <a href="#">Stroke</a>
10	Dust seal band	Stainless steel	1	MY3A20-16B- <a href="#">Stroke</a>	MY3A32-16B- <a href="#">Stroke</a>	MY3A50-16B- <a href="#">Stroke</a>
14	Gasket bumper	NBR	2	RMA-20	RMA-32	RMA-50
15	Piston seal	NBR	2	RMY-20	RMY-32	RMY-50
16	Scraper	Polyamie	2	MYA20-15-AC594	MYA32-15-AC595	MYA50-15-AC596
22	O-ring	NBR	4	KA00048	KA00050	KA00035

\* When ⑨ and ⑩ are shipped as single units, a grease pack is included (10 g per 1000 strokes).

Order with the following part number when only the grease pack is needed.

Grease pack part no.: **GR-S-010** (10 g), **GR-S-020** (20 g)

\* For instructions on how to replace replacement parts/seals, refer to the operation manual.