

Series 11-22-MXP/MXPJ6

Air slide table
ø6, ø10, ø12, ø16

How to Order

• Clean series
11 Vacuum suction type

11 — MXP 12 — 15 — — — M9N —

22 — MXP 12 — 15 — — — M9N —

• Copper, fluorine and silicon-free + low particle generation
22 Vacuum suction type

• Bore size - Stroke mm

ø6	5, 10
ø10	10, 20
ø12	15, 25
ø16	20, 30

• Number of auto switches

Nil	2 pcs.
s	1 pc.
n	n pcs.

• Type of auto switch

Nil	Without auto switch
-----	---------------------

* Refer to the table below for auto switch part numbers.

• Adjuster option


Nil	Rubber stopper
C	Metal stopper
H	Without adjuster

* Adjuster for series 11-MXP6 is available for one side only. Without adjuster type is unavailable for series 11-MXP6.

• Auto switch

Nil	With magnet and rail
N	Without magnet and rail

* Auto switch cannot be mounted on types without magnet and rail (N).



11-MXP

How to Order 11- MXPJ6

• Clean series
11 Vacuum suction type

11 — MXPJ6 — 10


22 — MXPJ6 — 10

• Copper, fluorine and silicon-free + low particle generation
22 Vacuum suction type

* With auto switch type is unavailable for 11-MXPJ6.

• Stroke

5	5mm
10	10mm



11-MXPJ6

Auto switch specifications (Refer to Best Pneumatics catalog for detailed specifications and auto switches not in the following table.)

Style	Special function	Electrical entry	Indicator light	Wiring (Output)	Load voltage			Auto switch model	Lead wire length (m)*		Applicable load	
					DC	AC	Electrical entry direction		0.5 (Nil)	3 (L)		
Reed switch	—	Grommet	Yes	2-wire	24V	12V	100V	A93	●	●	—	Relay, PLC
Solid state switch	—	Grommet	Yes	3-wire (NPN)	24V	12V	—	M9N	●	●	—	Relay, PLC
				2-wire				M9B	●	●	—	

* Lead wire symbol 0.5m.....Nil (Example) A93
3m.....L A93L

PLC: Programmable Logic Controller

Refer to applicable auto switch list — Page 182.

Specifications

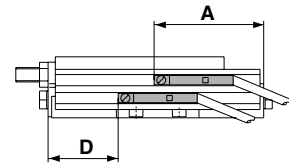
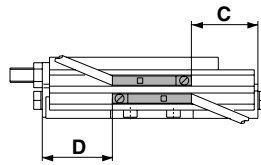
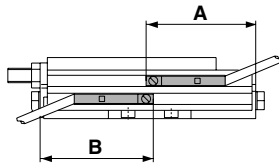
Model	11-/22-MXPJ6		11-/22-MXP6	11-/22-MXP10	11-/22-MXP12	11-/22-MXP16
Bore size (mm)	6		6	10	12	16
Piping port size	M3 x 0.5			M5 x 0.8		
Fluid	Air					
Action	Double acting					
Operating pressure	0.15 to 0.7 MPa					
Proof pressure	1.05 MPa					
Ambient and fluid temperature	-10 to 60°C					
Piston speed	30 to 200 mm/s					
Cushion	Rubber bumper	Rubber bumper (Rubber stopper)				
		— Rubber bumper (Without adjuster)				
		No (Metal stopper)				
Lubrication	Non-lube					
Stroke adjuster	—		Standard equipment (MXP6 : Adjustable on one side only)			
Stroke adjustment range	Rubber stopper	—		0 to 5mm on one side only	0 to 3 mm at both ends	
	Metal stopper	—		0 to 6mm on one side only	0 to 5 mm at both ends	0 to 4 mm at both ends
Stroke length tolerance	+1 0 mm					
Grease	11-: Fluorine grease					
	22-: Lithium soap base grease					
Particle generation grade (Refer to front matter pages 13 to 22 for details.)	Without adjuster	Grade 1	—		Grade 1	
	Rubber stopper	—	Grade 2	Grade 2		
	Metal stopper	—	Grade 4	Grade 4		

Suction flow rate of vacuum type (Reference values)

Size	Suction flow rate ℓ/min (ANR)
6	1
10	3
12	4
16	6

Auto switches / Proper mounting position for stroke end detection

11-/22- MXP6



Reed switch D-A93

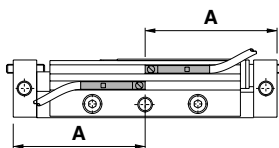
Model		Stroke (mm)		Auto switch operating range
		10		
11-/22-MXP 6	A	34.5		5
	B	35.5		
	C	14.5		
	D	15.5		

Solid state switch D-M9B, D-M9N

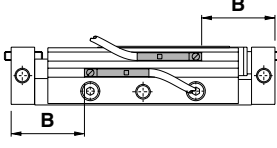
Model		Stroke (mm)		Auto switch operating range
		5	10	
11-/22-MXP 6	A	25.5	30.5	3
	B	26.5	31.5	
	C	13.5	18.5	
	D	14.5	19.5	

11-/22-MXP10, 12, 16

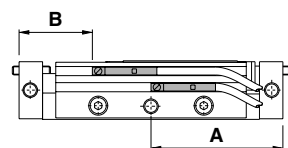
· Electrical entry from outside



· Electrical entry from inside



· Parallel electrical entry



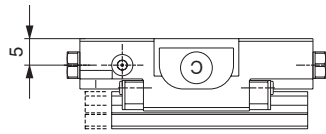
Reed switch D-A93

Model		Stroke (mm)					Auto switch operating range
		10	15	20	25	30	
11-/22-MXP10	A	35	—	45	—	—	5
	B	15	—	25	—	—	
11-/22-MXP12	A	—	40.5	—	50.5	—	
	B	—	20.5	—	30.5	—	
11-/22-MXP16	A	—	—	51	—	59	
	B	—	—	31	—	39	

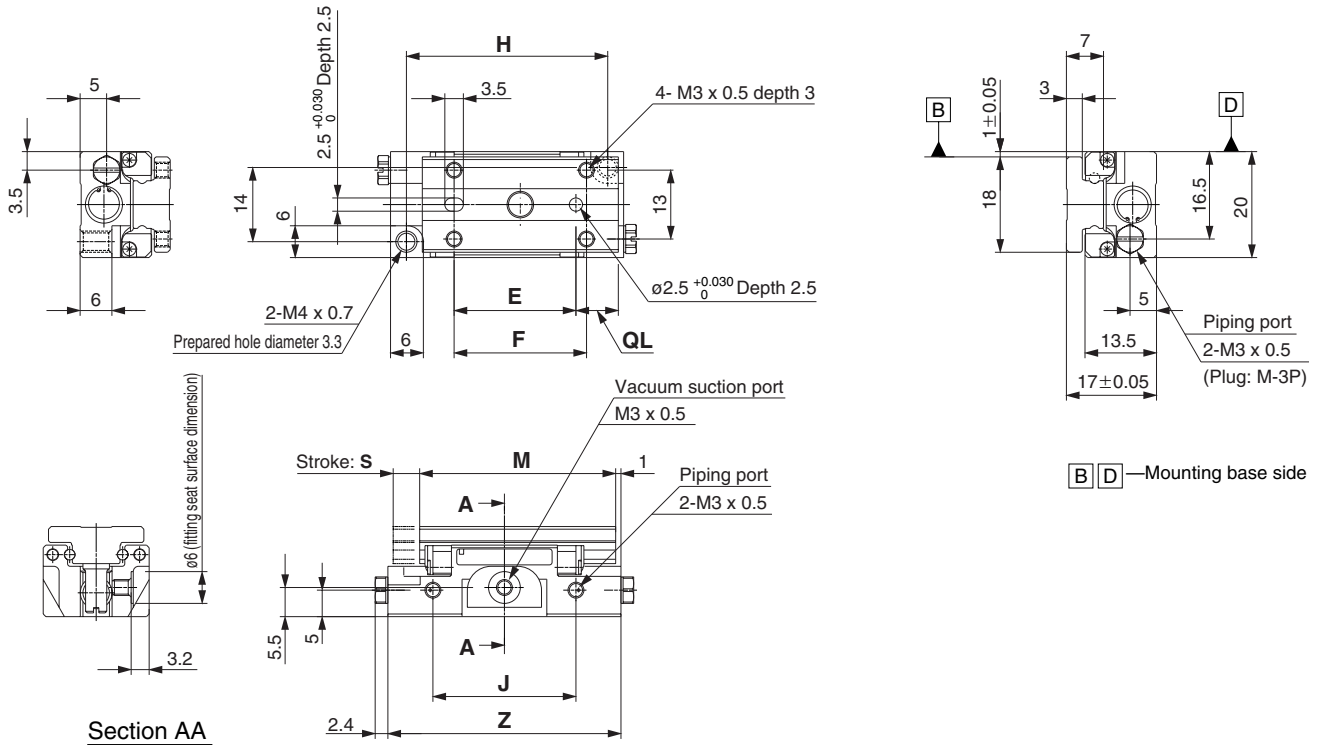
Solid state switch D-M9B, D-M9N

Model		Stroke (mm)					Auto switch operating range
		10	15	20	25	30	
11-/22-MXP10	A	31	—	41	—	—	3
	B	19	—	29	—	—	
11-/22-MXP12	A	—	36.5	—	46.5	—	
	B	—	24.5	—	34.5	—	
11-/22-MXP16	A	—	—	47	—	55	
	B	—	—	35	—	43	

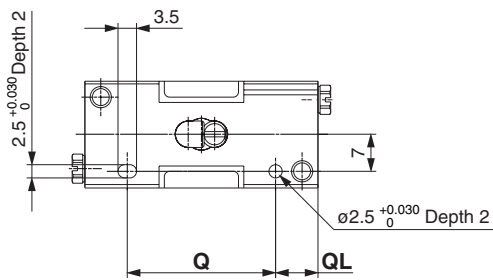
Dimensions / 11-22-MXPJ6



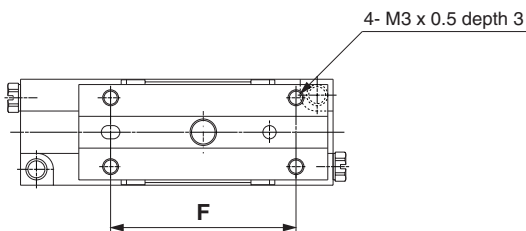
11-22-MXPJ6-5



B D — Mounting base side



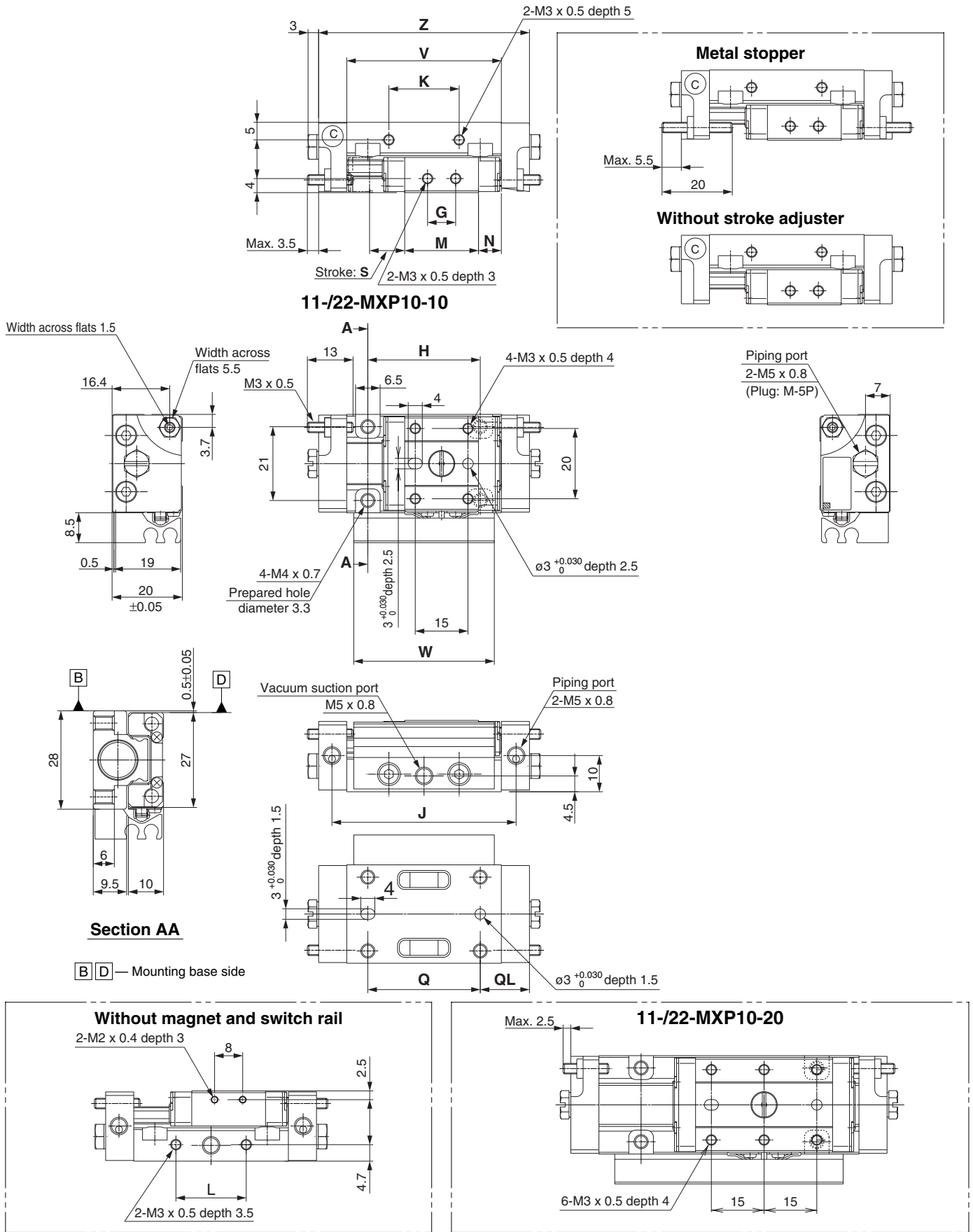
11-22-MXPJ6-10



(mm)

Model	E	F	H	J	M	Q	QL	S	Z
11-22-MXPJ6-5	23	25	38	27	37	28	8	5	44
11-22-MXPJ6-10	30	35	53	42	47	37	11	10	59

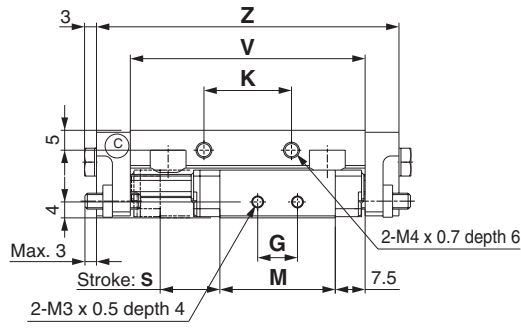
Dimensions: 11-22-MXP10



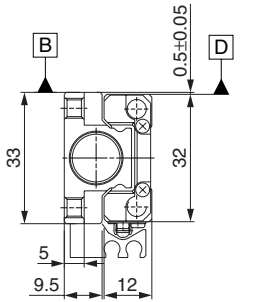
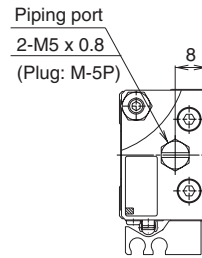
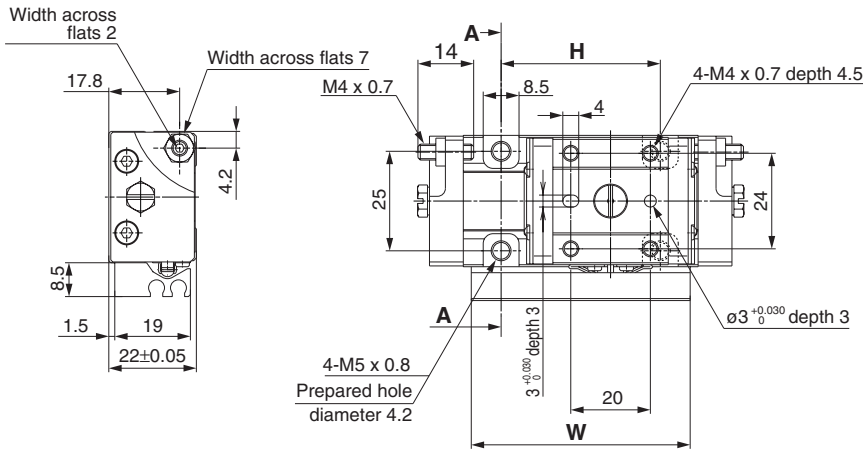
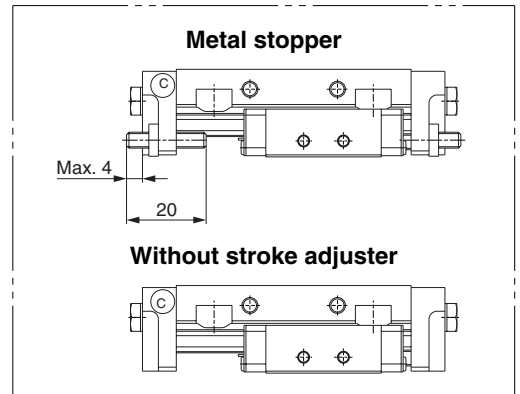
(mm)

Model	G	H	J	K	L	M	N	Q	QL	S	V	W	Z
11-22-MXP10-10	8	32	52.4	20	20	21	6.5	32	14	10	44	40	60
11-22-MXP10-20	20	50	82.4	36	36	39	7.5	50	20	20	74	65	90

Dimensions: 11-22-MXP12

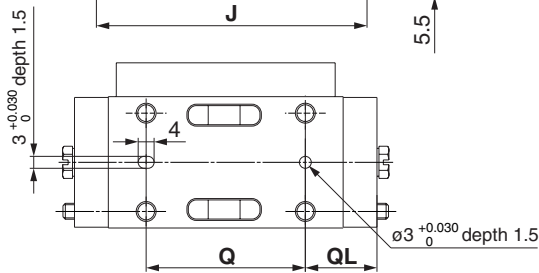
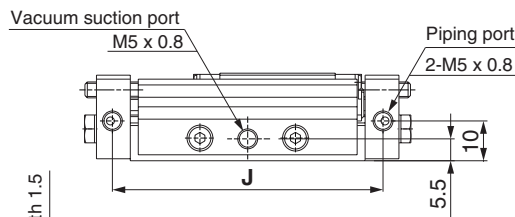


11-22-MXP12-15

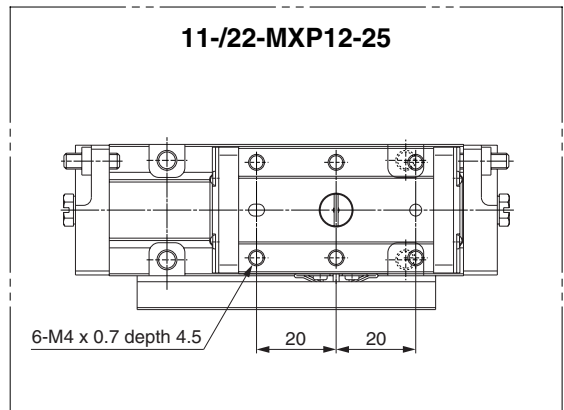
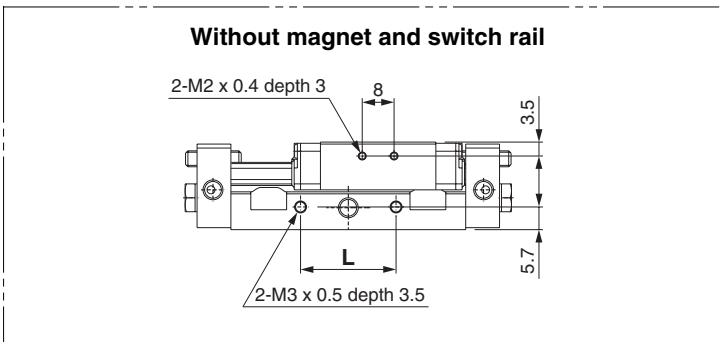


Section AA

B D — Mounting base side



11-22-MXP12-25



Model	G	H	J	K	L	M	Q	QL	S	V	W	Z
11-22-MXP12-15	10	40	68	22	24	29	40	18	15	59	55	76
11-22-MXP12-25	30	60	98	40	42	49	60	23	25	89	75	106

(mm)

Made to Order

Anti-corrosive specifications for guide unit	-X42
--	------

11-/22-MXP Standard model no. -X42

11-/22-MXPJ6 Standard model no. -X42

Martensitic stainless steel is used for body, table and guide block. Use this treatment if more effective anti-corrosiveness is necessary. Anti-corrosive treatment ^{Note 2)} is applied to the body, table and guide block.

Note 1) Dimensions are the same as standard type.

Note 2) Special anti-corrosive treatment makes the body, the table and the guide black.

! Specific Product Precautions

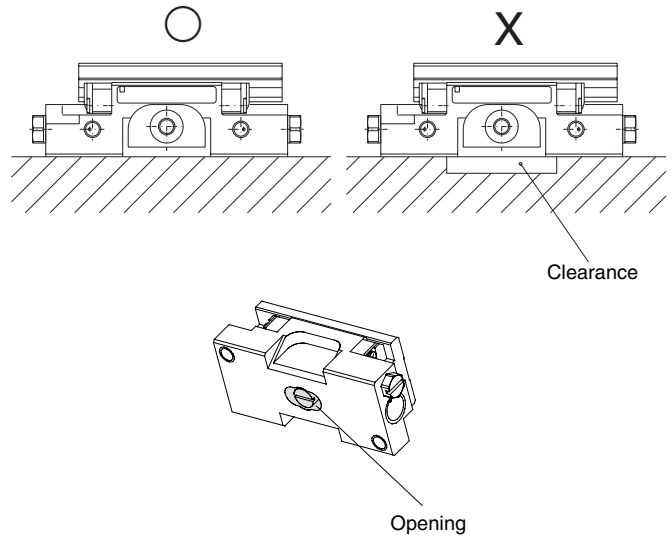
Be sure to read before handling.

Mounting

! Caution

Mount the body on a flat surface in case of 11-/22-MXPJ6 series.

11-/22-MXPJ6 series has an opening on the bottom surface of the body and the opening is connected to the vacuum suction port. Sufficient vacuum suction may not be achieved in presence of any clearances.



Air cylinder

Rotary actuator

Air gripper

Directional control valve

Flow control equipment

Filter, Pressure control equipment

Fittings & Tubing

Air preparation equipment

Pressure switch

Clean gas filter