



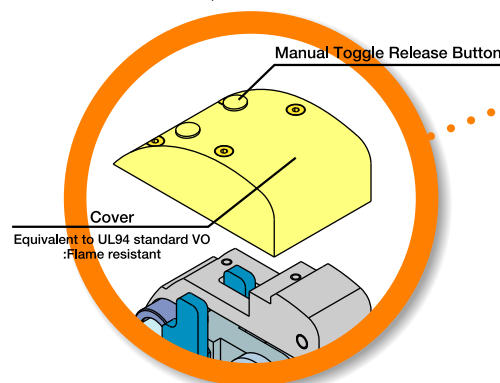
NAAMS

NPP-00-2
NEW PRODUCTS
REVIEW

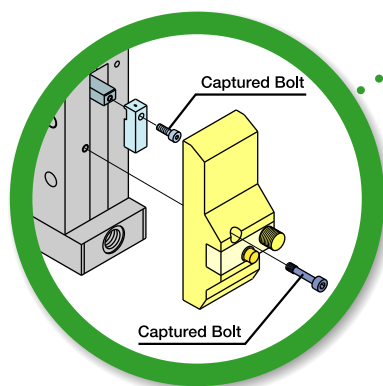
Lean & Mean

Rounded cover design reduces weld spatter accumulation

The release button only protrudes a small amount. This design prevents failure of the release mechanism due to weld spatter accumulation.

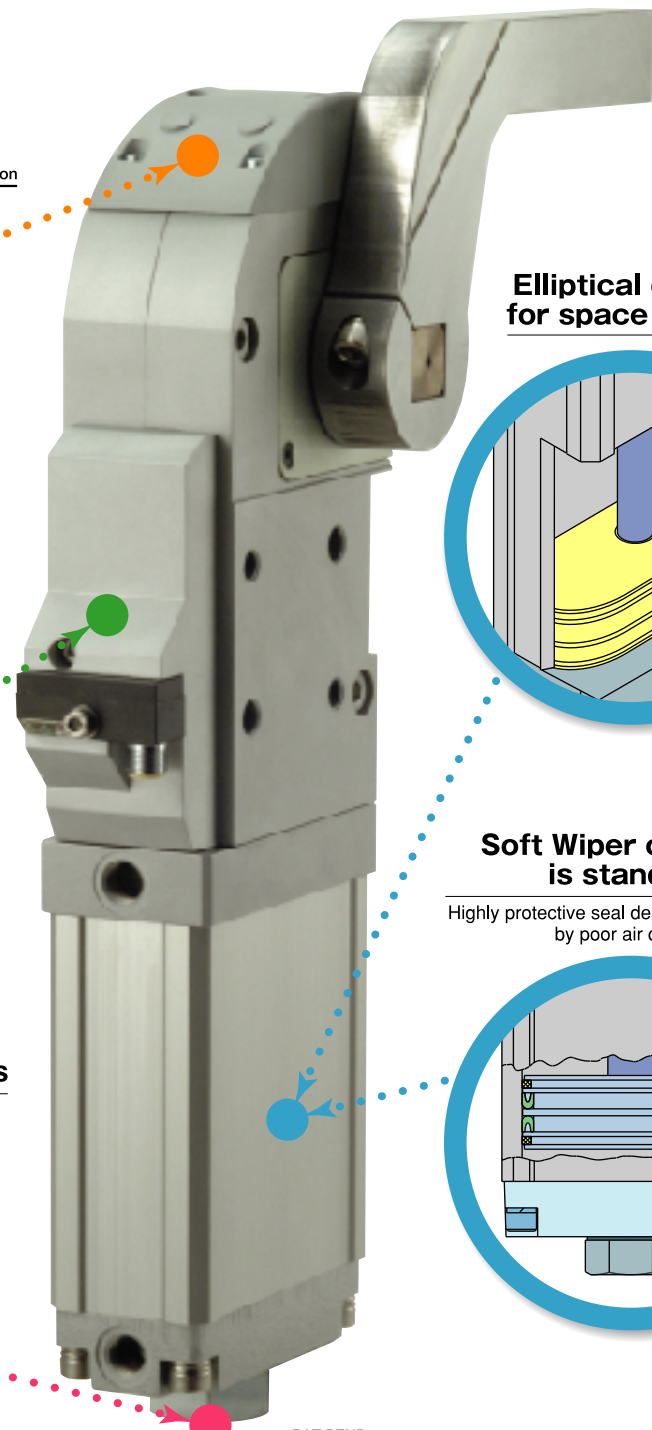
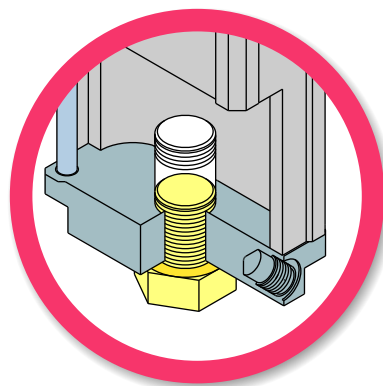


Proximity cassette installation and removal easily accomplished by unfastening a single bolt

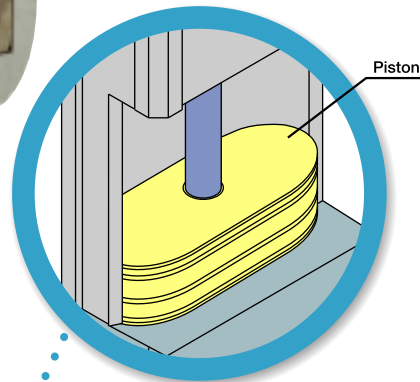


Simple Arm Opening Angle Changes

Cylinder disassembly is not necessary. The arm opening angle can be changed by replacing the stopper bolt.

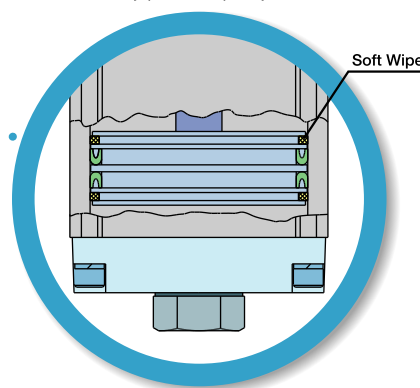


Elliptical design for space saving



Soft Wiper on piston is standard

Highly protective seal design is less effected by poor air quality.



Slim Line Power Clamp Cylinder

Series CKZN

① Toggle Link Mechanism

Maintains secure and powerful support.

② Fulcrum Stopper

Coordinates with the external stopper and forms the toggle mechanism.

③ External Stopper

④ Proximity Switch

Both TURCK and P&F switches are available.

⑤ Bumper

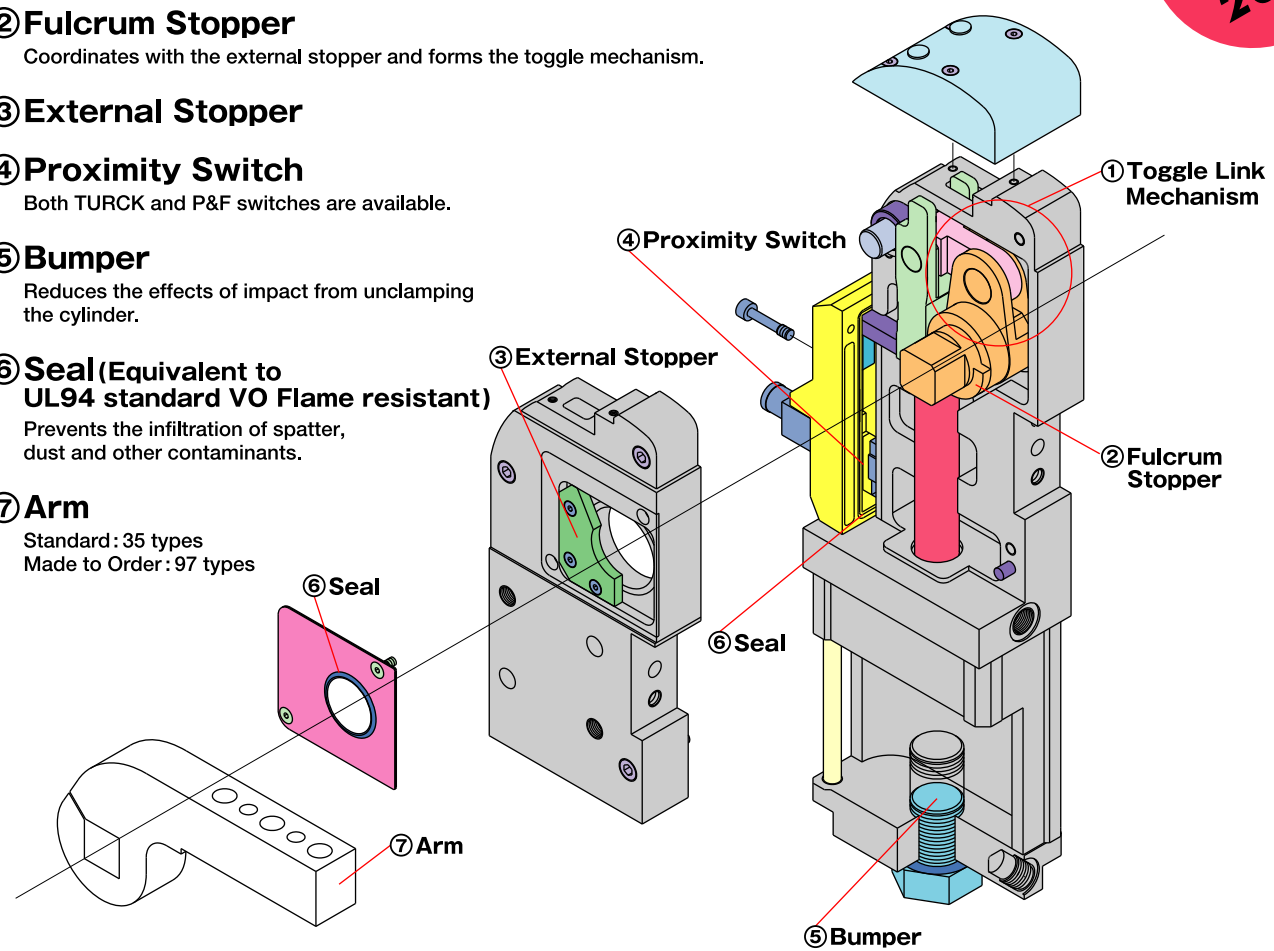
Reduces the effects of impact from unclamping the cylinder.

⑥ Seal (Equivalent to UL94 standard V0 Flame resistant)

Prevents the infiltration of spatter, dust and other contaminants.

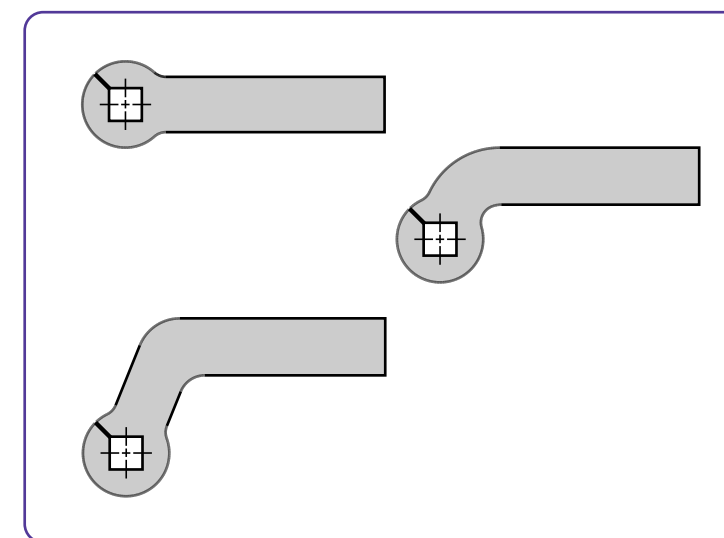
⑦ Arm

Standard: 35 types
Made to Order: 97 types



Coming out in
February, 2001

■ Arm Variations



■ Series Variations

Series	CKZN		
Bore Size (mm)	ø 50 Equivalent	ø 63 Equivalent	ø 80 Equivalent
Arm Opening Angle	30°, 45°, 60°, 75° 90°, 105°, 120°, 135°		
Switch	TURCK/P&F		
Port Thread Type	NPT/G		

SMC CORPORATION

1-16-4 Shimbashi, Minato-ku, Tokyo 105-0004, JAPAN
Tel: 03-3502-2740 Fax: 03-3508-2480
URL <http://www.smcworld.com>
© 2001 SMC CORPORATION All Rights Reserved

1st printing FO D-AMZ P-50 (AMZ)

This pamphlet is printed on recycled paper with concern for the global environment.

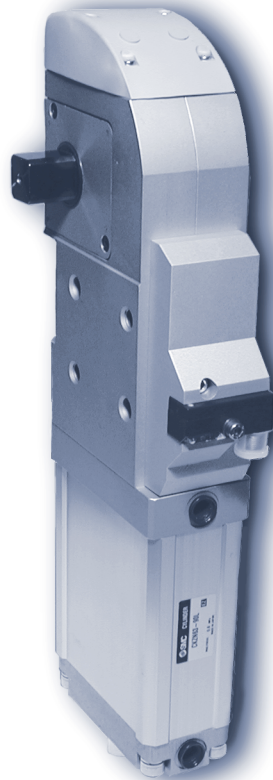
Specifications are subject to change without prior notice and any obligation on the part of the manufacturer.

Printed in Japan.

 **SMC** Corporation of America
The world's leader in pneumatics

*Solve Space Limitations with
SMC's Series CKZN...*

“Slim Line Power Clamp”



Automotive

Please insert into your SMC Pneumatics Product Binder

PRODUCT OF THE WEEK

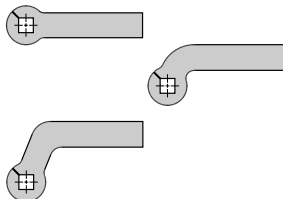
Slim Line Power Clamp

With the changing demands in the automotive industry to make things smaller and stronger, SMC is pleased to announce our new Slim Line Power Clamp. The CKZN clamp offers many advantages to welding applications. The rounded cover design reduces weld spatter accumulation. The small protruding release button minimizes spatter accumulation preventing release failure. Replacing the stopper adjustment bolt located at the bottom of the clamp can change cylinder arm angle. A compact body size is achieved by an elliptical piston design. An added soft wiper seal protects from poor air quality.

Clamp Specifications

Bore size	50, 63, 80mm
Arm opening angle	30°, 45°, 60°, 90°, 105°, 120°, 135°
Switch	TURCK/P&F
Port thread	NPT/G

Arm Variation



How to Order

CKZN 63 TF - 120 R T - A A001

Bore size

50	50mm bore
63	63mm bore
80	80mm bore

Cylinder port

Blank	NPT
TF	G(PF)

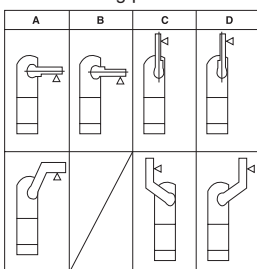
Arm opening angle

30°, 45°, 60°, 75°, 90°, 105°, 120°, 130°

Arm positions

R	Right
L	Left
D	Both sides

Arm mounting position



Type of switch

T	Turck
P	P&F

Note: 24VDC standard

① Toggle Link Mechanism

Maintains secure and powerful support.

② Fulcrum Stopper

Coordinates with the external stopper and forms the toggle mechanisms.

③ External Stopper

Both TURCK and P&F switches are available.

④ Proximity Switch

Both TURCK and P&F switches are available.

⑤ Bumper

Reduces the effects of impact from unclamping the cylinder.

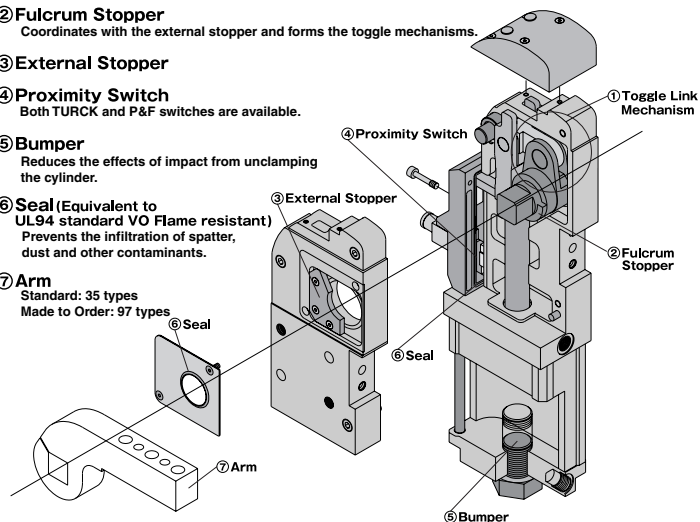
⑥ Seal (Equivalent to UL94 standard VO Flame resistant)

Prevents the infiltration of spatter, dust and other contaminants.

⑦ Arm

Standard: 35 types

Made to Order: 97 types



Arm style

50mm clamps

Symbol	Description
A003	ACA203M
A004	ACA206M
A005	ACA207M
A006	ACA208M
A009	ACA213M
A010	ACA216M
A011	ACA217M
A012	ACA218M
A015	ACA223M
A016	ACA226M
A017	ACA227M
A018	ACA228M

80mm clamps

Symbol	Description
A005	ACA104M
A013	ACA113M
A023	ACA124M
A029	ACA131M
A041	ACA144M
A046	ACA150M
A059	ACA164M
A067	ACA173M

63mm clamps

Symbol	Description
A001	ACA001M
A006	ACA006M
A007	ACA007M
A008	ACA008M
A009	ACA009M
A013	ACA013M
A018	ACA018M
A019	ACA019M
A030	ACA030M
A031	ACA031M
A032	ACA032M
A033	ACA033M
A034	ACA034M
A035	ACA035M
A042	ACA042M
A043	ACA043M
A044	ACA044M
A048	ACA048M

For further information, contact your local SMC branch office . . .

ATLANTA, GA
(770) 624-1940

CHARLOTTE, NC
(704) 597-9292

DALLAS, TX
(972) 446-9554

INDIANAPOLIS, IN
(317) 899-4440

MINNEAPOLIS, MN
(651) 688-3490

PHOENIX, AZ
(623) 492-0908

SAN FRANCISCO, CA
(408) 943-9600

AUSTIN, TX
(512) 926-2646

CHICAGO, IL
(630) 393-0080

DETROIT, MI
(248) 299-0202

LOS ANGELES, CA
(714) 669-1701

NASHVILLE, TN
(615) 331-0020

PORTLAND, OR
(503) 252-9299

ST. LOUIS, MO
(314) 209-0080

BINGHAMTON, NY
(607) 773-1300

CINCINNATI, OH
(859) 647-5600

HOUSTON, TX
(713) 460-0762

MILWAUKEE, WI
(414) 827-0080

NEWARK, NJ
(908) 253-3241

RICHMOND, VA
(804) 527-0500

TAMPA, FL
(813) 243-8350

BOSTON, MA
(978) 326-3600

CLEVELAND, OH
(330) 963-2727



Business Development Center, Indianapolis, IN

ROCHESTER, NY
(716) 321-1300

TULSA, OK
(918) 252-7820