

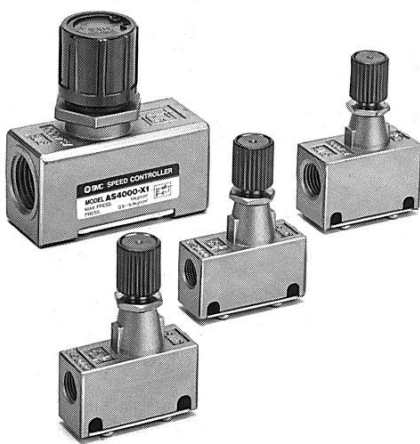
# Speed Controller with Residual Pressure Release Valve: Standard Type

## Series AS□□□□E

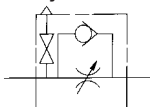
In-line Type (Metal Body)

Residual pressure can be easily released with one push of button.

Eye-catching red color release button.



JIS Symbol



### Model/Flow Rate and Effective Area

Model	Port size	Free flow		Controlled flow		Applicable cylinder bore size (mm)	Weight (g)
		Flow rate (ℓ/min (ANR))	Flow rate (ℓ/min (ANR))	Effective area (mm <sup>2</sup> )	Flow rate (ℓ/min (ANR))		
AS2000E-01	1/8	340	5.2	250	3.8	20, 25, 32, 40	90
AS2000E-02	1/4						115
AS3000E-02	1/4	810	12.3	810	12.3	32, 40, 50, 63	130
AS3000E-03	3/8						
AS4000E-02	1/4	1670	25.5	1670	25.5	40, 50, 63, 80, 100	225
AS4000E-03	3/8						
AS4000E-04	1/2						

Note) Flow rate values are measured at 0.5 MPa and 20°C.

### Specifications

Fluid	Air
Proof pressure	1.5 MPa
Max. operating pressure	1.0 MPa
Min. operating pressure	0.05 MPa
Ambient and fluid temperature	-5 to 60°C (No freezing)
Number of needle rotations	8 turns
Effective area of residual exhaust valve	0.8 mm <sup>2</sup>

### How to Order

AS 2 000 E — □ — 01

#### Body size

2	1/8, 1/4 standard
3	3/8 standard
4	1/2 standard

With residual pressure release valve

#### Thread type

Nil	Rc
N	NPT
F	G

#### Port size

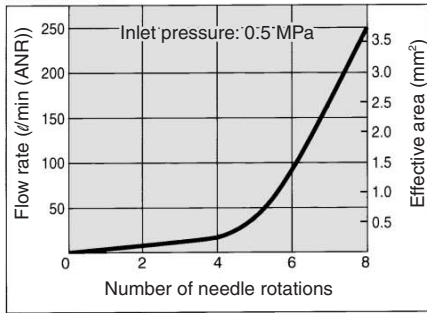
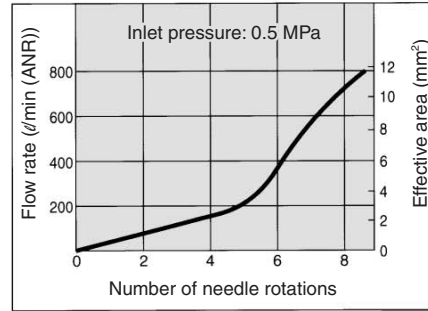
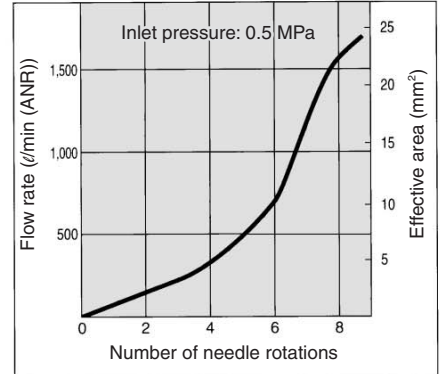
Port size	Applicable series
01	1/8 AS2000E
02	1/4 AS2000E/3000E/4000E
03	3/8 AS3000E/4000E
04	1/2 AS4000E

### ⚠ Caution

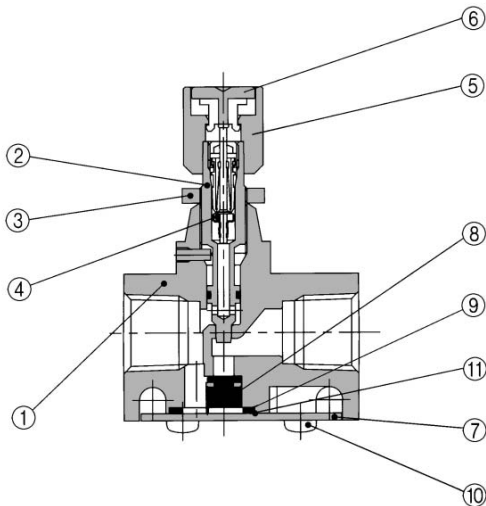
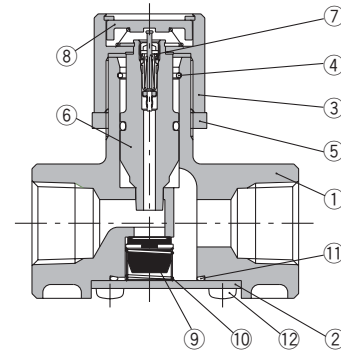
Be sure to read before handling. Refer to pages 15-18-3 to 15-18-4 for Safety Instructions and Common Precautions on the products mentioned in this catalog, and refer to pages 15-8-6 to 15-8-8 for Precautions on every series.

## Speed Controller with Residual Pressure Release Valve: Standard Type, In-line Type (Metal Body)

### Needle Valve/Flow Characteristics

**AS2000E**

**AS3000E**

**AS4000E**


### Construction

**AS2000E/3000E**

**AS4000E**


#### Component Parts

No.	Description	Model	
		AS2000	AS3000
①	Body	Zinc alloy	Aluminum alloy
②	Needle	Brass	Brass
③	Lock nut	Brass	Brass
④	Valve core	—	—
⑤	Handle	Aluminum alloy (Red painted)	Aluminum alloy (Red painted)
⑥	Push button	POM (Red)	POM (Red)
⑦	Cap	Stainless steel	Stainless steel

#### Replacement Parts

No.	Description	Material	Part no.	
			AS2000	AS3000
⑧	Valve	NBR	143022	14283
⑨	Spring	Stainless steel	143023	14282
⑩	Cross-recessed head cap screw	Stainless steel	M3 x 0.5 x 6	M4 x 0.7 x 8
⑪	O-ring	NBR	143021	14284

#### Component Parts

No.	Description	Material	Note
①	Body	Aluminum alloy	Chromated
②	Cap	SPC	Nickel plated
③	Handle	Zinc alloy	Chromated(Red painted)
④	Ring	Spring steel	Zinc chromated
⑤	Lock nut	Zinc alloy	Chromated
⑥	Needle	Aluminum alloy	Chromated
⑦	Valve core	—	
⑧	Push button	POM	Red

#### Replacement Parts

No.	Description	Material	Note
⑨	Valve	NBR/Brass	
⑩	Spring	Stainless steel	
⑪	O-ring	NBR	
⑫	Cross-recessed head cap screw	Steel wire	M4 x 0.7 x 8

AS

ASP

ASN

AQ

ASV

AK

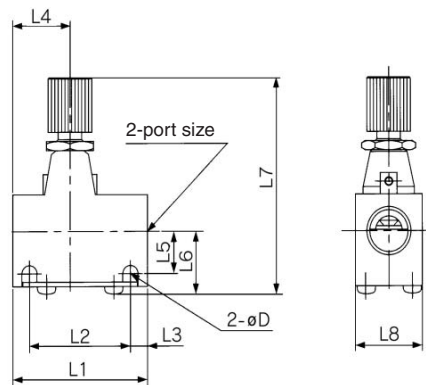
ASS

ASR

ASF

## Dimensions

### AS2000E/3000E



Model	Port size	L1	L2	L3	L4	L5	L6	L7		L8	D
								Max.	Min.		
AS2000E-01	1/8	40	30	5	17	10	15.5	61.5	57	16	4.5
AS2000E-02	1/4	40	30	5	23	12	17	63.5	59	20	4.5
AS3000E-02, 03	1/4, 3/8	56	45.5	5.25	25	13.25	20.6	76	69	26	5.5

### AS4000E

