

# Metering Valve with Silencer

## Series ASN2

### Superior sound reducing performance

Over 20 dB at max. flow rate

### Cylinder speed easily set

Shape of needle is the same as that of speed controller

### Retainer prevents accidental loss of needle

### Model

Model	Port size	Effective area (mm <sup>2</sup> )	Weight (g)
ASN2-M5	M5 x 0.8	1.8	5
ASN2-U10/32	10-32 UNF	1.8	5
ASN2-01	1/8	3.6	17
ASN2-02	1/4	6.5	34
ASN2-03	3/8	16.6	55
ASN2-04	1/2	24.5	107

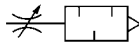
### Specifications

Proof pressure	1.5 MPa
Operating pressure range	0 to 1 MPa
Ambient and fluid temperature	- 5 to 60°C (No freezing)
Number of needle rotations	10 turns (8 turns <sup>Note)</sup> )

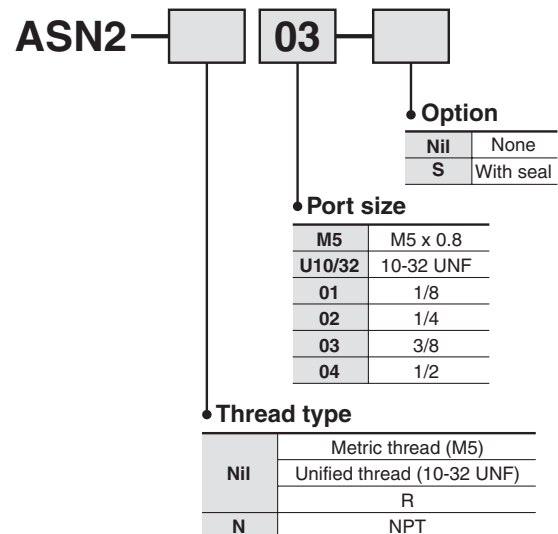
Note) ( ) is the case of ASN2-M5 and ASN2-U10/32.



### JIS Symbol



### How to Order



AS

ASP

ASN

AQ

ASV

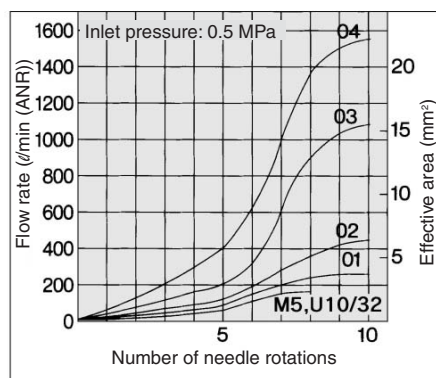
AK

ASS

ASR

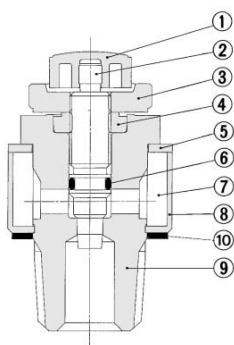
ASF

### Needle Valve/Flow Characteristics



# Series ASN

## Construction

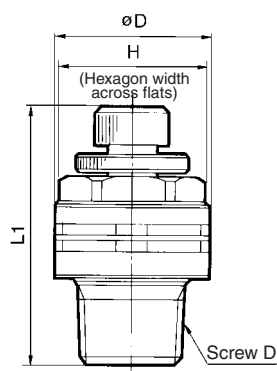


### Component Parts

No.	Description	Material	Note
①	Handle	PBT	
②	Needle	Brass	Electroless nickel plated
③	Lock nut	Brass (Note)	Electroless nickel plated
④	Needle guide	Brass	Electroless nickel plated
⑤	Washer	Carbon steel	Nickel plated
⑥	O-ring	NBR	
⑦	Silencer	PVA sponge	
⑧	Silencer cover	Soft polyethylene	
⑨	Body B	Brass	Electroless nickel plated
⑩	Gasket	NBR/Stainless steel 304	M5, U10/32 only

Note) ASN2-01/02 type is made of steel.

## Dimensions



### Dimensions

Model	Screw D	øD	L1		H
			Min	Max	
ASN2-M5	M5 x 0.8	10	20.5	23.3	8
ASN2-U10/32	10-32 UNF	10	20.5	23.3	8
ASN2-01	1/8	15	30	35	12(12.7)
ASN2-02	1/4	20	34.2	39.2	17(17.5)
ASN2-03	3/8	25	37	42	19
ASN2-04	1/2	30	49	54	24(23.8)

Note) (in parentheses) are the dimensions of "NPT" screw specifications.

### ⚠ Caution

Be sure to read before handling. Refer to pages 15-18-3 to 15-18-4 for Safety Instructions and Common Precautions on the products mentioned in this catalog, and refer to pages 15-8-6 to 15-8-8 for Precautions on every series.