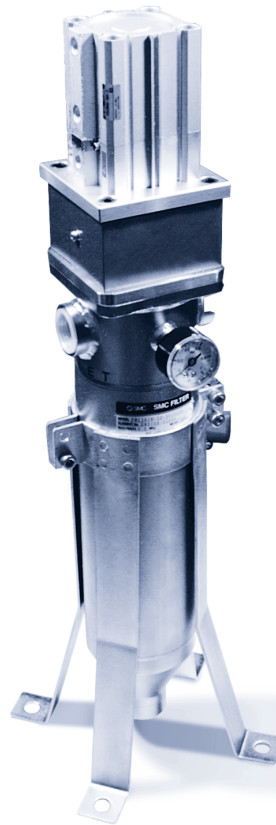


 **SMC Corporation of America**
The world's leader in pneumatics

*No More Element Replacement with
SMC's Series FN1...*

“Low Maintenance Filter”



All Industries
General Manufacturing Industry

Please insert into your SMC Pneumatics Product Binder

PRODUCT OF THE WEEK

Low Maintenance Filter

The element of the filter is constructed of a series of grooved filter plates and wave washers placed one above the other and compressed by the compact cylinder on the top of the filter. Dust particles ranging from 5~20 microns will get trapped in the filter plates. Retracting the cylinder decompresses the element assembly to facilitate back wash operation to wash away trapped dust particles. This restores the element and enables repeated use of the element.

Features & Benefits

- A unique element design with back-flush feature provides a filter to meet ISO14001 environment protection standards.
- No need to replace filter element
- No generation of industrial waste (clogged element)
- 2 types of element (cylindrical type and step type) are available according to type of dust.

Specifications

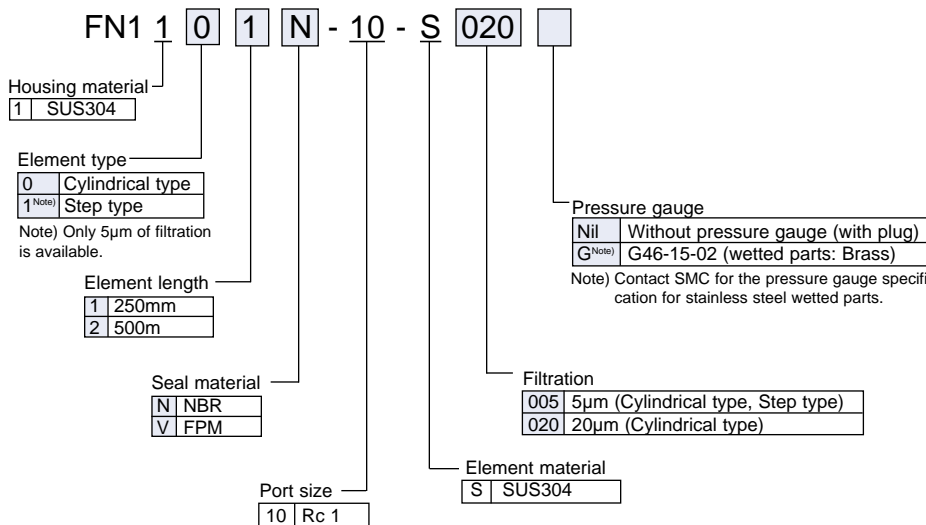
Model	FN1111	FN1101	FN1102	FN1112	
Element dimension	ø65 x 250mm		ø65 x 500mm		
Fluid	Cleaning solvent, Coolant ^{Note 1)}				
Operating pressure	Maximum 1.0MPa				
Fluid temperature	Maximum 80°C (176° F)				
Flow rate ^{Note 2)}	40L/min		80L/min		
Port size	Rc 1 (IN, OUT, DRAIN)				
Material	Case and cover: SUS304; O-ring: NBR/FPM				
Element	Material	SUS304			
	Construction	Cylindrical type	Step type	Cylindrical type	Step type
	Filtration	5µm, 20µm	5µm	5µm, 20µm	5µm
	Differential pressure proof	0.6MPa			
Weight	13kg	12.5kg	15kg	14.5kg	

Note 1) Refer to the fluid compatibility table on page 2 for details.

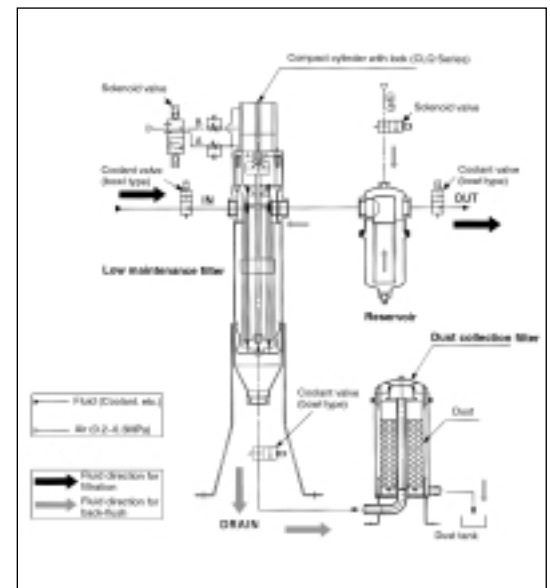
Note 2) Values under the following conditions:

Fluid: Water; Filtration: 20µm; Pressure drop: 0.02MPa or less

How To Order



Installation Diagram



For further information, contact your local SMC branch office . . .

ATLANTA, GA
(770) 624-1940

CHICAGO, IL
(630) 393-0080

DETROIT, MI
(248) 299-0202

LOS ANGELES, CA
(714) 669-1701

NASHVILLE, TN
(615) 331-0020

PORTLAND, OR
(503) 252-9299

ST. LOUIS, MO
(314) 209-0080

AUSTIN, TX
(512) 926-2646

CINCINNATI, OH
(859) 647-5600

HOUSTON, TX
(713) 460-0762

MILWAUKEE, WI
(262) 827-0080

NEWARK, NJ
(732) 537-0120

RICHMOND, VA
(804) 527-0500

TAMPA, FL
(813) 243-8350

BOSTON, MA
(978) 326-3600

CLEVELAND, OH
(330) 963-2727

INDIANAPOLIS, IN
(317) 899-4440

MINNEAPOLIS, MN
(952) 943-1299

PHOENIX, AZ
(623) 492-0908

ROCHESTER, NY
(716) 321-1300

CHARLOTTE, NC
(704) 597-9292

DALLAS, TX
(972) 446-9554



Business Development Center, Indianapolis, IN

SAN FRANCISCO, CA
(408) 943-9600