

Related Products: Multi-tube Holder Series *TM*

- Easy arrangement of tubing
Easy tube insertion and firm fixation
- Possible to separate options depending on number of connection tubes
- Use of flame resistant resin (Equivalent to UL-94 standard V-0)



Applicable Tubing

Tubing material	Nylon, Soft nylon, Polyurethane
Tubing O.D.	ø4, ø6, ø8, ø10, ø12

Model

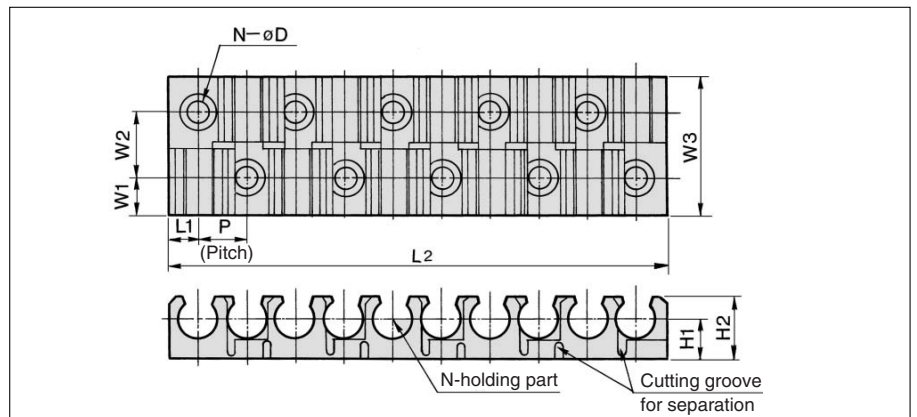
Applicable tubing O.D. (inch)	Model	No. of connecting tubes (Max.)		
		6	8	12
4	TM-04			●
6	TM-06			●
8	TM-08		●	
10	TM-10	●		
12	TM-12	●		

Specifications

Ambient temperature	-20 to 60°C
Material	Flame resistant polypropylene (Equivalent to UL-94 standard V-0)
Color	Black

Accessory	For mounting Cross recessed head countersunk tapping screw (Black zinc chromated)		
	Model	Size (Nominal x Length)	No. of tubings
	TM-04	2 x 6	4
	TM-06	2.6 x 8	
	TM-08		
	TM-10		
TM-12	3 x 8		

Dimensions: Multi-tube Holder



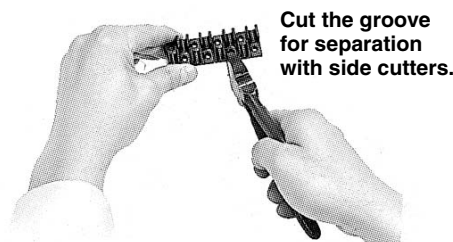
Applicable tubing O.D. (mm)	Model	N (No. of holding parts)	P	L ₁	L ₂	W ₁	W ₂	W ₃	H ₁	H ₂	øD	Mounting screw (Nominal x Length)
4	TM-04	12	6	3.25	72.5	4.5	8	17	5	7.5	2.2	2 x 6
6	TM-06	12	7.5	4.5	91.5	5.5	10	21	6.5	10	2.8	2.6 x 8
8	TM-08	8	9.5	5.5	77.5	6	11	23	7.5	12	2.8	2.6 x 8
10	TM-10	6	12.5	7.5	77.5	6.5	12	25	8.8	14.3	3.2	3 x 8
12	TM-12	6	15	9	93	6.5	12	25	9.8	16.3	3.2	3 x 8

How to Use

⚠ Caution

1. Cut the multi-tube holder depending on number of tubes to be connected.

<Cutting method>



Cut the groove for separation with side cutters.

2. Install the multi-tube holder to the equipment with cross-recessed head, countersunk tapping screw.
3. Lay the tube across the gripper and push on the tube.
4. For removing the tubes, pull up the tubes from the gripper.

- K
- M
- H
- D
- MS
- T
- VMG

Related Products: Multi-holder Series *TMA*

- Can be used to secure the KE□ series exhaust valve with One-touch fitting.
- One-touch fitting can also be secured.
Union tee: KQT,
Elbow: KQL,
Straight: KQH
- Depending on the number of holders required, they can be separated as desired. (Align the cutter with the cutting groove and cut the holder.)



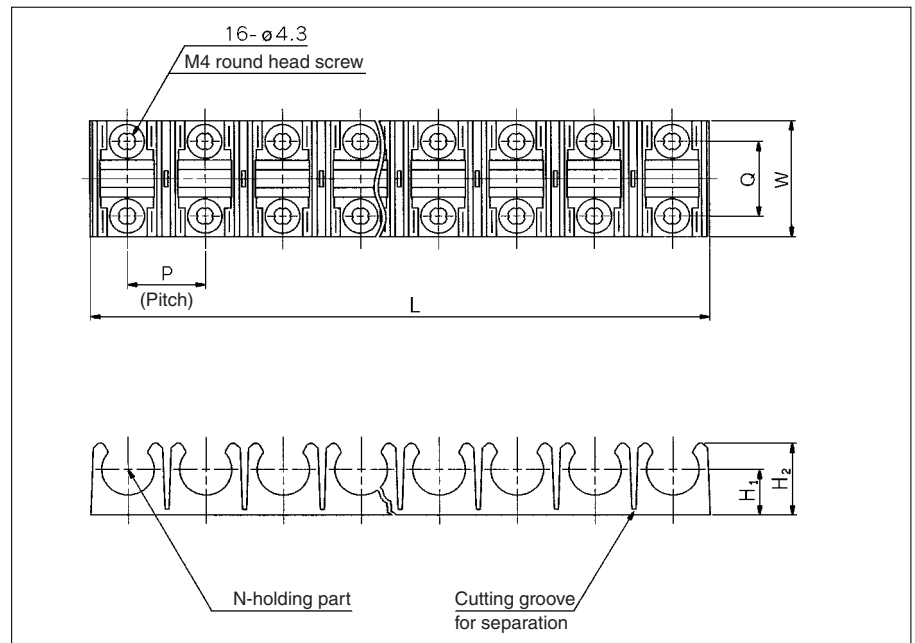
Specifications

Ambient temperature	-20 to 60°C
Material	Flame resistant polypropylene (Equivalent to UL-94 standard V-0)
Color	Black

Model

Model	Stations	Applicable exhaust valve	Applicable One-touch fitting		
			Union tee	Union elbow	Straight union
TMA-06	8	KEA06	KQT06-00	KQL06-00	KQH06-00
		KEB06			
TMA-08	8	KEA08	KQT08-00	KQL08-00	KQH08-00
		KEB08			
		KEC-02			
TMA-10	6	KEA10	KQT10-00	KQL10-00	KQH10-00
		KEB10			
TMA-12	6	KEA12	KQT12-00	KQL12-00	KQH12-00
		KEB12			
		KEC-03			

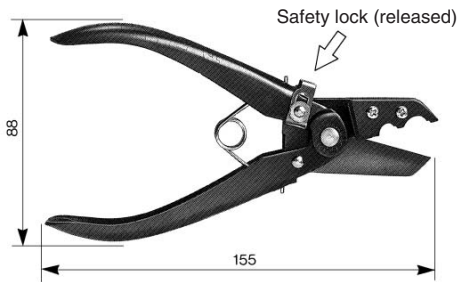
Dimensions: Multi-holder



Applicable tubing O.D. (mm)	Model	P	L	W	H ₁	H ₂	Q
6	TMA-06	19	151	28	11.4	17.9	18.6
8	TMA-08	21.7	172.5	31.8	12.6	20.3	18.6
10	TMA-10	25.4	151.2	35	15	24.3	22
12	TMA-12	28.1	167.3	37	16.2	26.7	22

Related Products: Tube Cutter Series TK

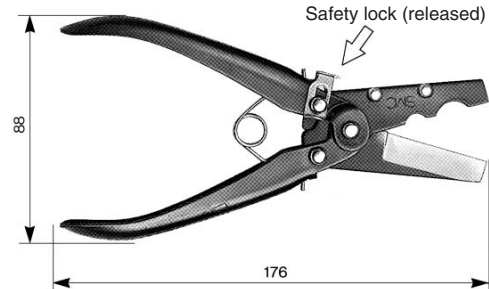
Tube Cutter: TK-1
Perpendicular cutting
Reduced operating force
Safety lock contained



Note) Do not use it to cut the metallic materials such as electric wires.

Model	TK-1
Applicable tubing material	Nylon, Soft nylon, Polyurethane, and other soft plastic tubing
Applicable tubing O.D.	13 mm or less
Weight	140 g

Tube Cutter: TK-2
Possible to cut a tube up to 18 mm.

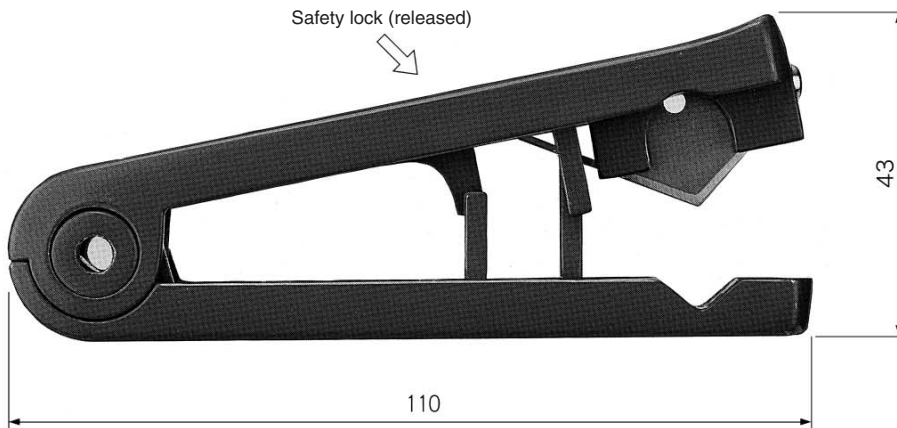


Note) Do not use it to cut the metallic materials such as electric wires.

Model	TK-2
Applicable tubing material	Nylon, Soft nylon, Polyurethane, and other soft plastic tubing
Applicable tubing O.D.	18 mm or less
Weight	140 g

- K
- M
- H
- D
- MS
- T
- VMG

Tube Cutter: TK-3 (Useful type)
Safety lock contained

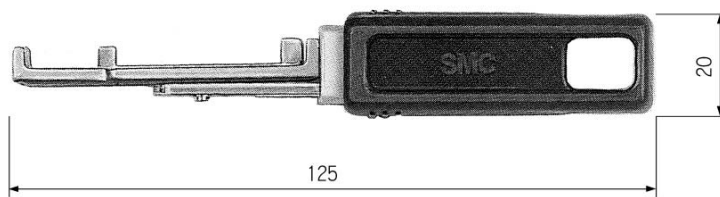


Note) Do not use it to cut the metallic materials such as electric wires.

Model	TK-3
Applicable tubing material	Nylon, Soft nylon, Polyurethane, and other soft plastic tubing
Applicable tubing O.D.	12 mm or less
Weight	32 g

Related Products: Tube Releasing Tool Series TG

- For attaching and detaching tubes for One-touch fittings mounted in a narrow space or on manifolds.
- Easy one-hand operation
- Available for two sizes of applicable tubes. Exchangeable easily with one hand.



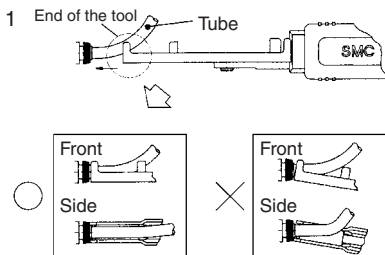
Model	Applicable tubing size		Applicable tubing material	Color	Weight
TG-1	Metric size	ø4, ø6	Nylon, Soft nylon Polyurethane	Blue	33 g
TG-2	Inch size	ø1/8", ø1/4"		Red	

How to Use

⚠ Caution

Process

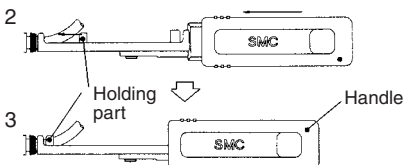
1. Tool edge should be pushed straightforward into the edge of the release button along with the tube in the axial fitting direction.



2. After inserting, grasp the handle tightly and insert the end of the tubing to the stroke end.

[Note) Insert firmly to the guard against an accidental tube release.]

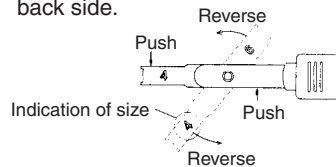
3. After inserting end of tube, relax your grip on the tool. Returning force of spring releases the tube.



Size change

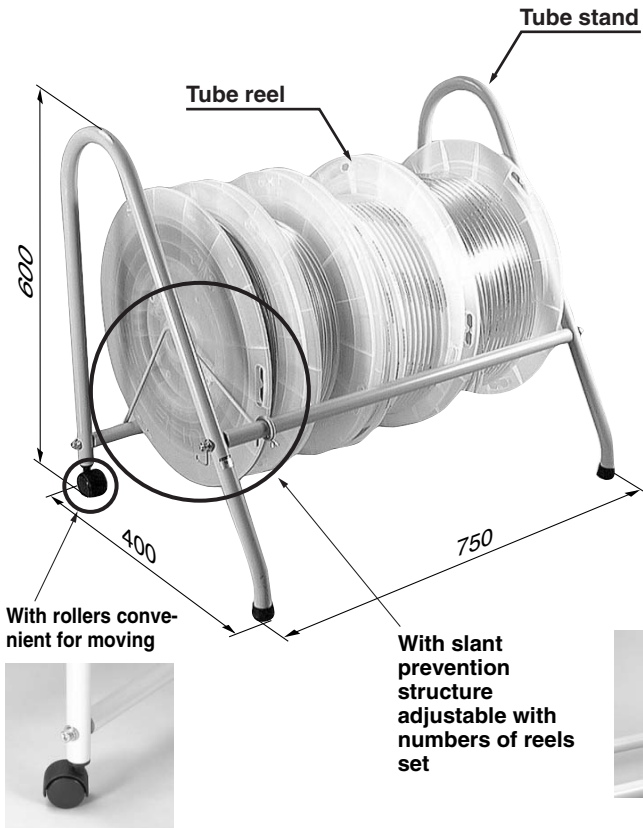
Push both sides at once to release. Reverse and fix at the same position as before.

Applicable tube size is indicated on the back side.

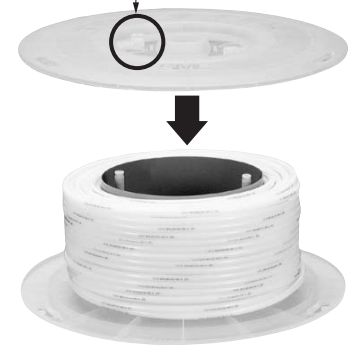
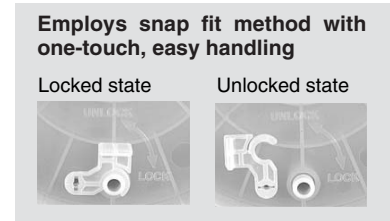


Related Products: Tube Stand & Tube Reel Series **TB/TBR**

- Compact size without taking up space
- Easy installment just by putting tube reel



- Allows easy refilling and replacing tubes.



- K
- M
- H
- D
- MS
- T
- VMG

Tube Reel: TBR-1/2/3/4



Applicable tubing size (mm)	Model
4, 6	TBR-1
8	TBR-2
10	TBR-3
12	TBR-4

Tube Stand: TB-2

