



# PNEUMATIC-PNEUMATIC POSITIONER



**SERIES  
IP5000/5100**

# PRODUCT FEATURES

SERIES IP5000/IP5100

- HIGH PERFORMANCE POSITIONER
- COMPACT AND LIGHTWEIGHT
- RESISTANT TO HOSTILE ENVIRONMENTS
- DESIGNED TO IP55, NEMA 4

A centralized exhaust system enhances both dust-proof and waterproof qualities. Epoxy coating inside the body prevents corrosion due to moisture.

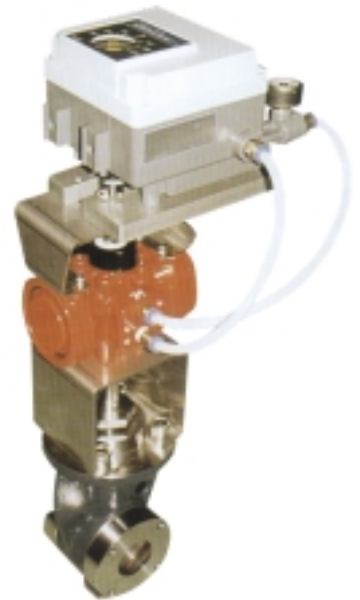
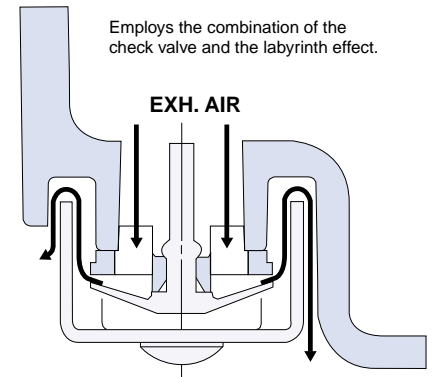
- EMPLOYS EXHAUST PURGE, CHECK SYSTEM
- EXCEPTIONAL SHOCK AND VIBRATION PERFORMANCE
- LOW AIR CONSUMPTION
- SIMPLE ADJUSTMENT OF ZERO AND SPAN
- COMPLETE OPTIONAL SPECIFICATIONS

Opening indicator (IP5100 type).  
Built-in bypass (SIG-OUT1) (IP5000 type).  
Built-in equalizing valve (OUT1-OUT2) (IP5100 type).

- EASY MAINTENANCE

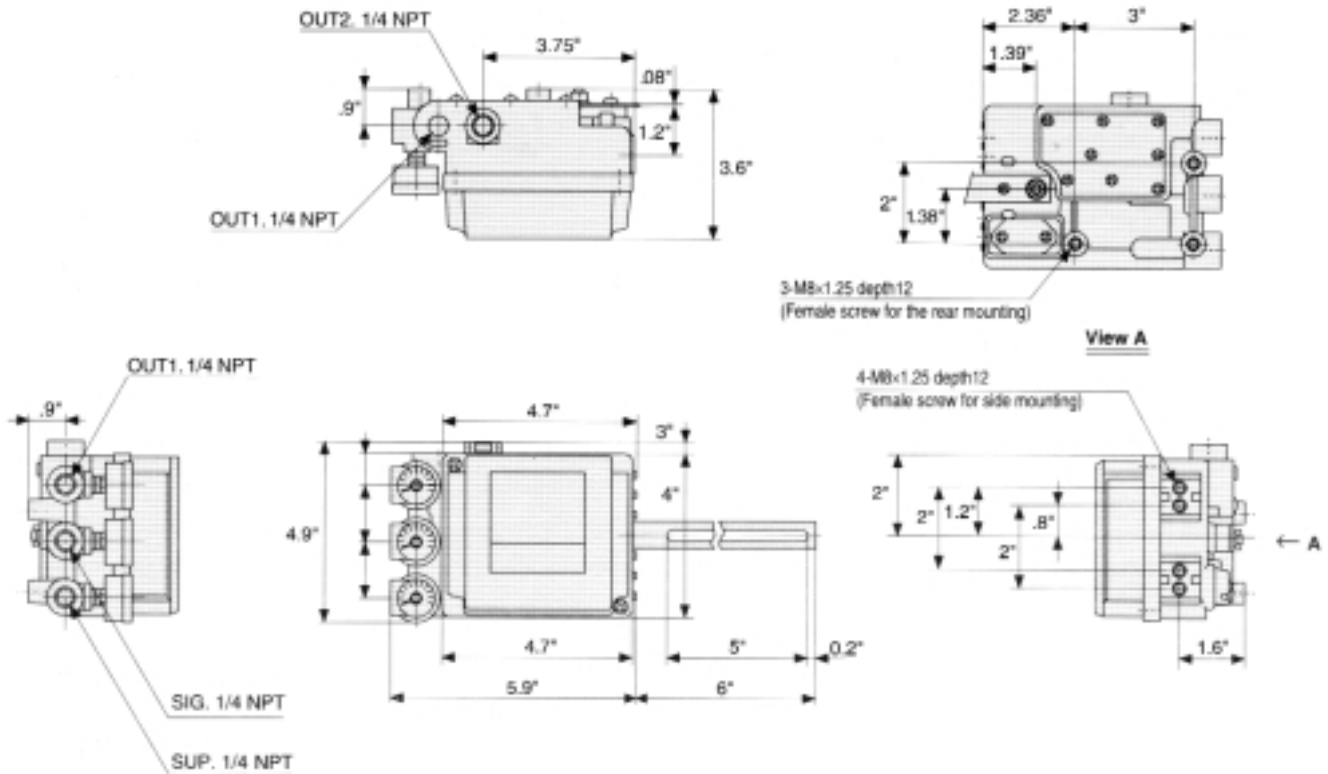
Maintenance and parts replacement made easy by modular construction.

Cross section of the exhaust system.



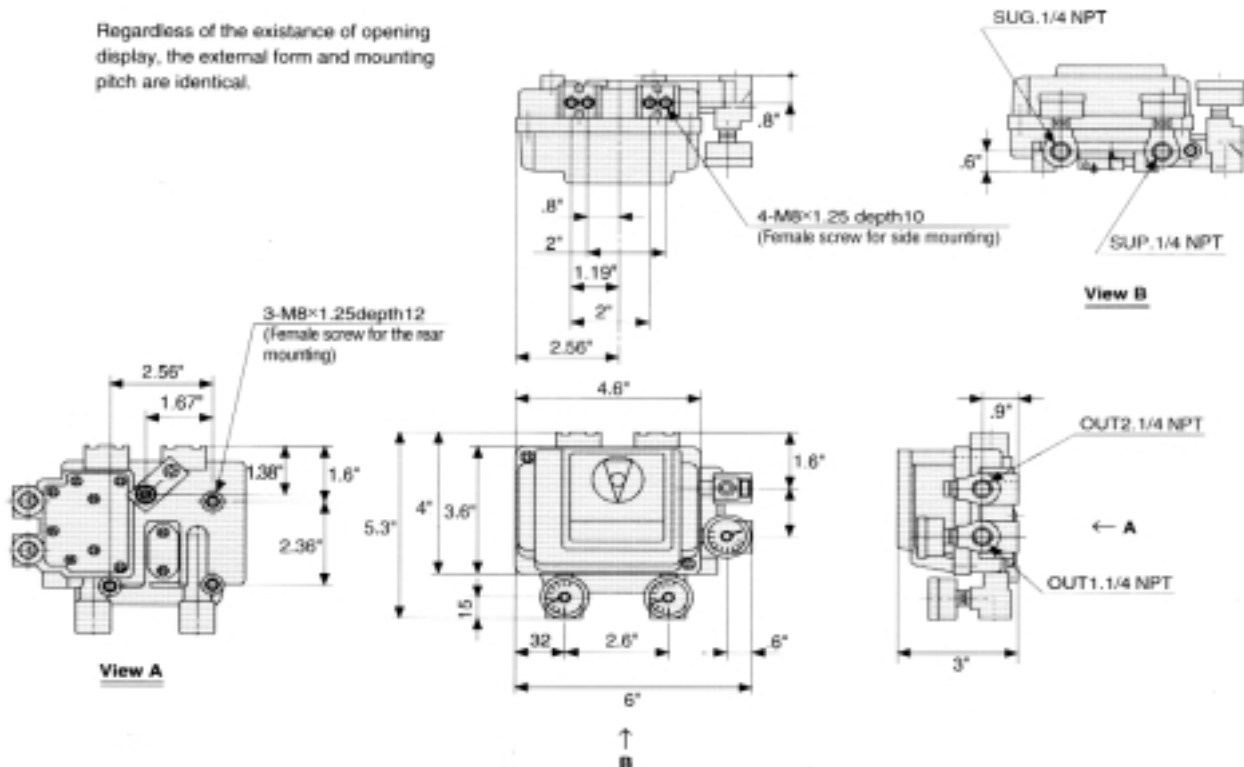


**IP5000 TYPE: LEVER TYPE LEVER FEEDBACK**

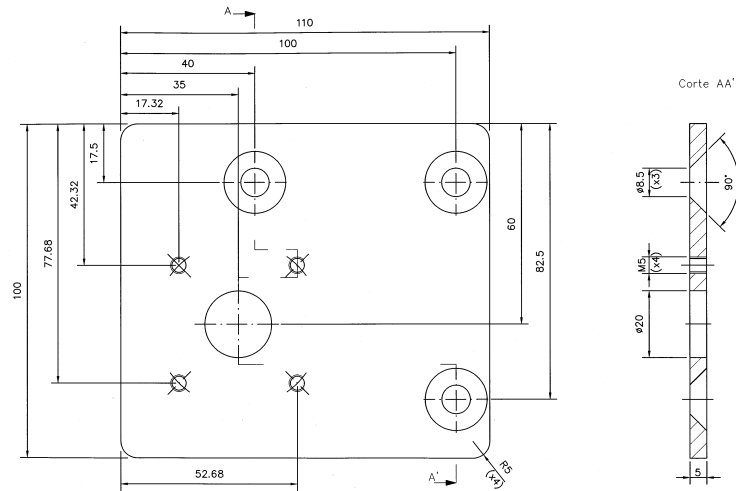


**IP5100 TYPE: ROTARY TYPE CAM FEEDBACK**

Regardless of the existence of opening display, the external form and mounting pitch are identical.



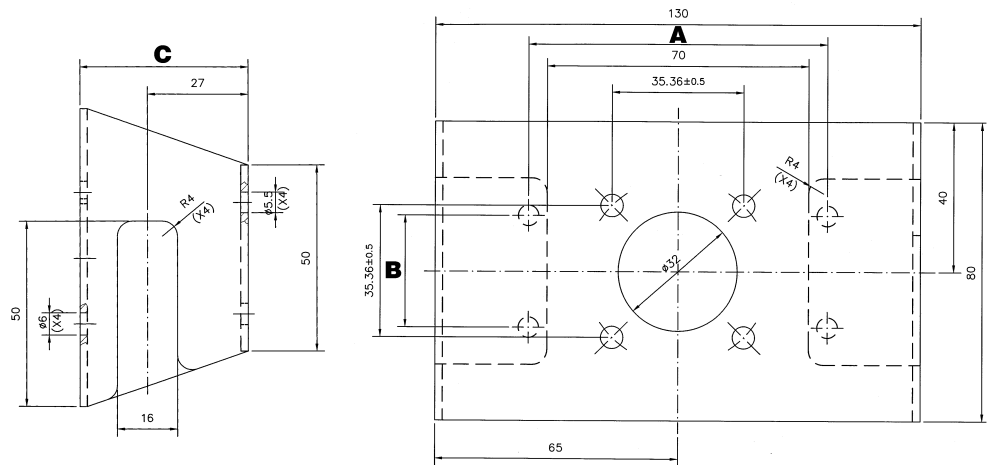
## IP5100 TYPE: NAMUR ADAPTER PLATE (Part Number: PAP5100-3)



## NAMUR MOUNTING BRACKETS

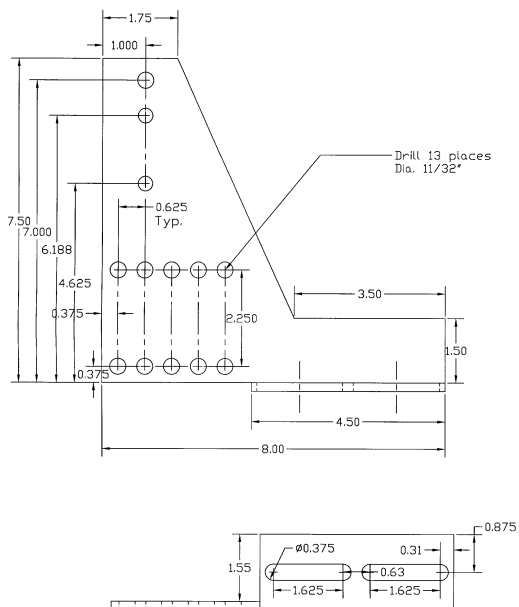
### SIZES

	PNAM-1	PNAM-2	PNAM-3	PNAM-4
A	80	80	130	130
B	30	30	30	30
C	45	55	55	75



## YOKE MOUNT FOR GLOBE VALVES

Please contact your SMC sales representative for availability.



# Global Manufacturing, Distribution, and Service Network

## Worldwide Subsidiaries

<p><b>Europe</b></p> <p><b>England</b> SMC Pneumatics (U.K.) Ltd.</p> <p><b>Germany</b> SMC Pneumatik GmbH</p> <p><b>Italy</b> SMC Italia SpA</p> <p><b>France</b> SMC Pneumatique SA</p> <p><b>Holland</b> SMC Controls BV</p> <p><b>Sweden</b> SMC Pneumatics Sweden AB</p> <p><b>Switzerland</b> SMC Pneumatik AG</p> <p><b>Austria</b> SMC Pneumatik GmbH</p> <p><b>Spain</b> SMC Espana, S.A.</p> <p><b>Ireland</b> SMC Pneumatics (Ireland) Ltd.</p>	<p><b>Romania</b> SMC Romania Siruli</p> <p><b>Russia</b> SMC Pneumatik LLC</p> <p><b>Norway</b> SMC Pneumatics Norway A/S</p> <p><b>Denmark/Latvia/Lithuania</b> SMC Pneumatik A/S</p> <p><b>Asia</b></p> <p><b>Japan</b> SMC Corporation</p> <p><b>Korea</b> SMC Pneumatics Korea Co., Ltd.</p> <p><b>China</b> SMC (China) Co., Ltd.</p> <p><b>Hong Kong</b> SMC Pneumatics (Hong Kong) Ltd.</p> <p><b>Singapore</b> SMC Pneumatics (S.E.A.) Pte. Ltd.</p> <p><b>Phillipines</b> SMC Pneumatics (Phillipines), Inc.</p>	<p><b>Malaysia</b> SMC Pneumatics (S.E.A.) Sdn. Bhd.</p> <p><b>Taiwan</b> SMC Pneumatics (Taiwan) Co., Ltd.</p> <p><b>Thailand</b> SMC Thailand Ltd.</p> <p><b>India</b> SMC Pneumatics (India) Pvt., Ltd.</p> <p><b>North America</b></p> <p><b>Mexico</b> SMC Corporation (Mexico) S.A. de C.V.</p> <p><b>South America</b></p> <p><b>Argentina</b> SMC Argentina S.A.</p> <p><b>Bolivia</b> SMC Pneumatics (Bolivia) Sel.</p> <p><b>Brazil</b> SMC Pneumaticos</p> <p><b>Chile</b> SMC Pneumatics (Chile) Ltda.</p>	<p><b>Venezuela</b> SMC Neumatica</p> <p><b>Oceania</b></p> <p><b>Australia</b> SMC Pneumatics (Australia) Pty. Ltd.</p> <p><b>New Zealand</b> SMC Pneumatics (N.Z.) Ltd.</p>
--	--	--	---

## U.S. & Canadian Sales Offices

### Northeast Region

**Boston, MA**  
Tel: (978) 326-3600  
FAX: (978) 326-3700

**Cleveland, OH**  
Tel: (330) 963-2727  
FAX: (330) 963-2730

**Columbus, OH**  
Tel: (614) 895-9765  
FAX: (614) 895-9780

**Newark, NJ**  
Tel: (908) 253-3241  
FAX: (908) 253-3452

**Rochester, NY**  
Tel: (716) 321-1300  
FAX: (716) 321-1865

### Southeast Region

**Atlanta, GA**  
Tel: (770) 624-1940  
FAX: (770) 624-1943

**Charlotte, NC**  
Tel: (704) 597-9292  
Fax: (704) 596-9561

**Richmond, VA**  
Tel: (804) 527-0500  
FAX: (804) 527-2100

**Tampa, FL**  
Tel: (813) 243-8350  
FAX: (813) 243-8621

### Midwest Region

**Chicago, IL**  
Tel: (630) 393-0080  
FAX: (630) 393-0084

**Detroit, MI**  
Tel: (248) 299-0202  
FAX: (248) 293-3333

**Indianapolis, IN**  
Tel: (317) 899-4440  
FAX: (317) 898-3896

**Milwaukee, WI**  
Tel: (262) 827-0080  
FAX: (262) 827-0092

**Minneapolis, MN**  
Tel: (952) 943-1299  
FAX: (952) 943-1614

**St. Louis, MO**  
Tel: (314) 209-0080  
FAX: (314) 209-0085

### Southwest Region

**Austin, TX**  
Tel: (512) 926-2646  
FAX: (512) 926-7055

**Cincinnati, OH**  
Tel: (859) 647-5600  
FAX: (859) 647-5609

**Dallas, TX**  
Tel: (972) 406-0082  
FAX: (972) 406-9904

**Houston, TX**  
Tel: (713) 460-0762  
FAX: (713) 460-1510

**Nashville, TN**  
Tel: (615) 331-0020  
FAX: (615) 331-9950

**Tulsa, OK**  
Tel: (918) 252-7820  
FAX: (918) 252-9511

### West Region

**Los Angeles, CA**  
Tel: (714) 669-1701  
FAX: (714) 669-1715

**Phoenix, AZ**  
Tel: (602) 492-0908  
FAX: (602) 492-9493

**Portland, OR**  
Tel: (503) 252-9299  
FAX: (503) 252-9253

**San Francisco, CA**  
Tel: (408) 943-9600  
FAX: (408) 943-9111

### SMC Canada

**Kingston**  
Tel: (613) 389-6553  
FAX: (613) 389-6815

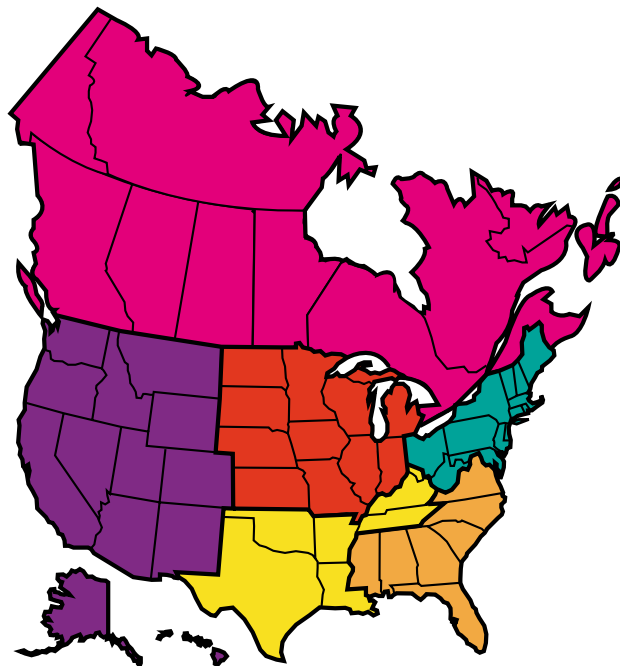
**Montreal**  
Tel: (514) 733-9595  
FAX: (514) 733-1771

**Quebec City**  
Tel: (418) 654-1997  
FAX: (418) 654-1998

**Toronto**  
Tel: (905) 812-0400  
FAX: (905) 812-8686

**Vancouver**  
Tel: (604) 517-1646  
FAX: (604) 517-1647

**Windsor**  
Tel: (519) 944-0555  
FAX: (519) 944-1870



For a direct connection to your local SMC sales office call: 1.800.SMC.SMC1 (1.800.762.7621)



SMC Corporation of America  
**U.S. Headquarters**  
3011 N. Franklin Rd.  
Indianapolis, IN 46226  
Tel: 317.899.4440  
Fax: 317.899.3102  
www.smcusa.com

SMC Pneumatics (Canada) Ltd.  
**Canadian Headquarters**  
6768 Financial Drive  
Mississauga, Ontario L5N 7J6  
Tel: 905.812.0400  
Fax: 905.812.8686  
www.smc Pneumatics.ca