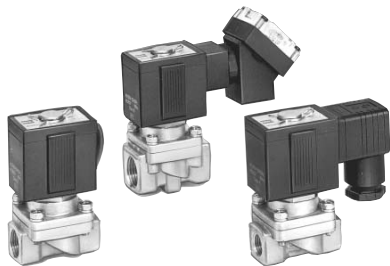


# Pilot Operated 2 Port Solenoid Valve For High Pressure, Diaphragm Type Series **VXH**

- Orifice size  $\phi 10$
- Max. operating pressure: 2 MPa



## Valve Specifications

Port size	Orifice size (mm $\phi$ )	Min. operating pressure differential (MPa)	Max. operating pressure differential (MPa)			Flow characteristics					Max. system pressure (MPa)	Note) Weight (g)
			Water	Air	Oil	Water, Oil, Steam		Air				
						Av x 10 <sup>-6</sup> m <sup>2</sup>	Cv converted	C[dm <sup>3</sup> /(s·bar)]	b	Cv		
1/4	10	0.05	2	2	1.5	46	1.9	8.5	0.35	2.0	2	550
3/8						58	2.4	9.5	0.30	2.3		550
1/2						58	2.4	9.5	0.30	2.3		630

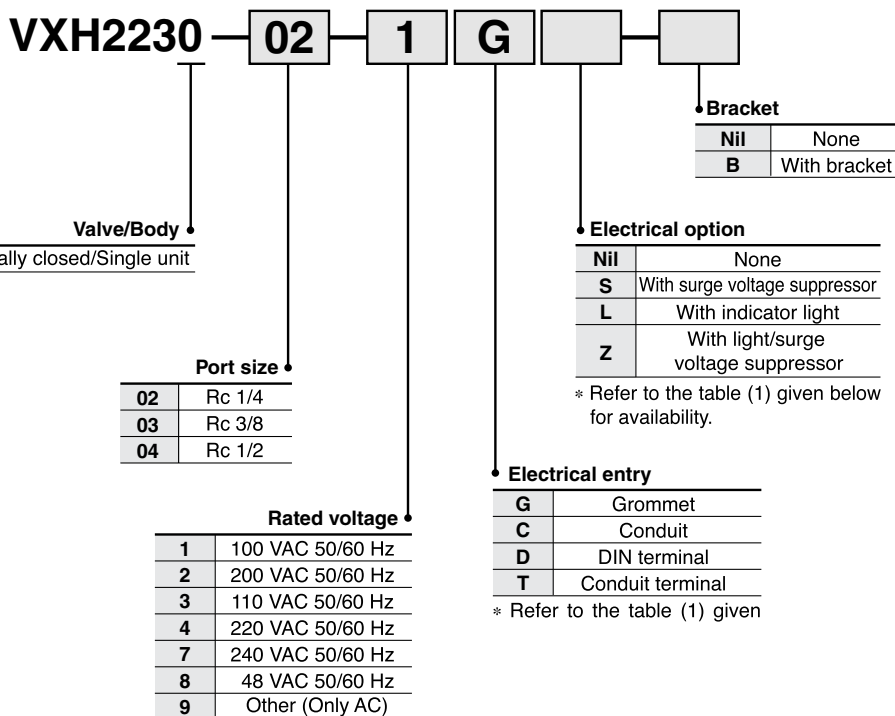


Note) It is a grommet value. Add the conduit 10 g, the DIN terminal 30 g and the conduit terminal 60 g respectively.  
 • Refer to "Glossary" on page 17-3-15 for details of max. operating pressure differential and max. system pressure.

## Solenoid Specifications

Power source	Frequency (Hz)	Apparent power (VA)		Power consumption (W) (Holding)	Temperature rise (°C) (Rated voltage)
		Inrush	Holding		
AC	50	53	18	7.5	60
	60	44	12	6	50

## How to Order



## Caution

Be sure to read before handling. Refer to pages 17-6-3 to 17-6-10 for Safety Instructions and Solenoid Valve Precautions.

Table (1)

### Rated Voltage—

### Electrical Entry—Electrical Option

Insulation type		Class B			
Electrical entry		G	C	D, T	
Electrical option		S <sup>Note)</sup>	—	S	L, Z
AC	1 (100 V)	●	●	●	●
	2 (200 V)	●	●	●	●
	3 (110 V)	●	●	●	●
	4 (220 V)	●	●	●	●
	7 (240 V)	●	●	●	—
	8 (48 V)	●	●	●	—



Note) Surge voltage suppressor is attached in the middle of lead wire.

VC□

VDW

VQ

VX2

VX□

VX3

VXA

VN□

LVC

LVA

LVH

LVD

LVQ

LQ

LVN

TI/  
TIL

PA

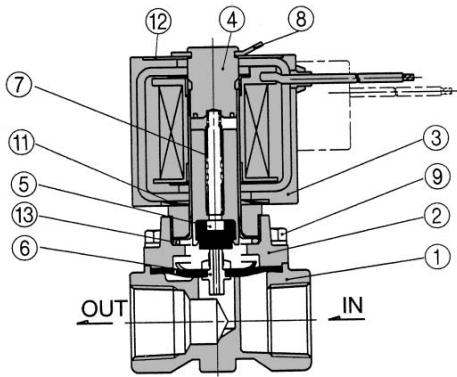
PAX

PB

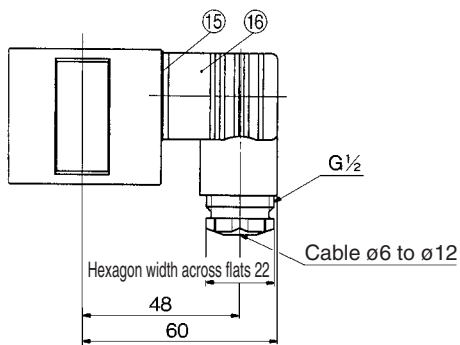
# Series VXH

The VX\* series will be revised shortly.

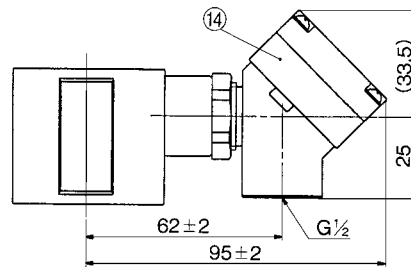
## Construction/Dimensions



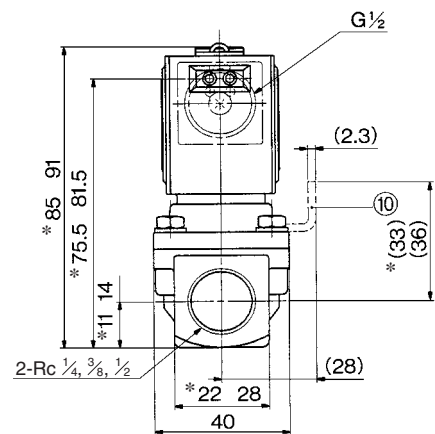
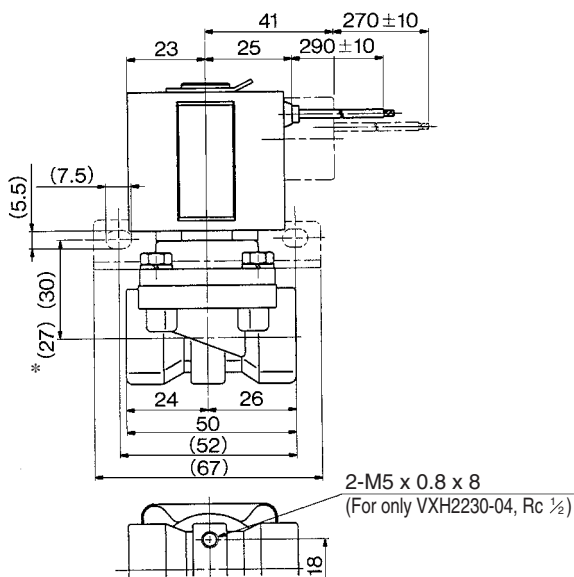
No.	Description	Material	Note
①	Body	C3771	
②	Bonnet	C3771	
③	Coil assembly	Epoxy mold	Class B insulation
④	Core assembly	Stainless steel, Cu	
⑤	Armature assembly	Stainless steel, NBR	
⑥	Diaphragm assembly	Stainless steel, NBR	
⑦	Return spring	Stainless steel	
⑧	Retainer	Stainless steel	
⑨	Upset bolt	Stainless steel	
⑩	Bracket	SPC	Option
⑪	Wave washer	Stainless steel	
⑫	Name plate	AL	
⑬	O-ring	NBR	
⑭	Terminal assembly	-	
⑮	Seal	CR	
⑯	DIN terminal	-	



DIN terminal



Conduit terminal



\* For Rc 1/4, 3/8