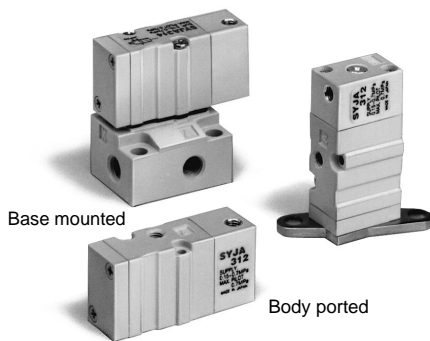


3 Port Air Operated Valve

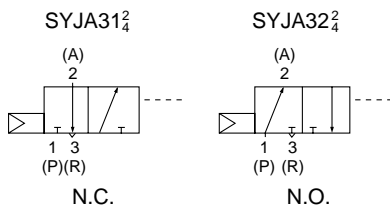
Series SYJA300

Compact/Lightweight Copper free

There are no copper parts that come in contact with the media; suitable for copper free applications



JIS symbol



Model

Valve model	Actuation	Port size	Effective area (mm ²) (Cv)	Pilot port size	Weight (g)
Body ported	SYJA312-M3	N.C.	M3 X 0.5	0.9 (0.05)	M3 X 0.5
	SYJA322-M3	N.O.			
Base mounted (With sub-plate)	SYJA314-M5	N.C.	M5 X 0.8	1.8 (0.1)	39 (Without sub-plate 18)
	SYJA324-M5	N.O.			

Note) Model number for base mounted style without sub-plate is SYJA3¹/₂-4.

With Bracket

Model No. of air operated valve	SYJA3 ¹ / ₂ -M3-F
---------------------------------	---

Specifications

Fluid	Air
Operating pressure range (MPa)	0.15 to 0.7
Pilot pressure range (MPa)	Operating pressure to 0.7
Ambient and fluid temperature (°C)	Max.60
Lubrication	Not required
Mounting position	free
Impact/Vibration resistance (m/s ²) ⁽¹⁾	150/30

Note 1) Impact resistance: No malfunction resulted from the impact test using a drop impact tester. The test was performed on the axis and right angle directions of the main valve and armature, when pilot signal is ON and OFF. (Value in the initial stage)

Vibration resistance: No malfunction occurred in a one-sweep test between 8.3 and 2000Hz. Test was performed to axis and right angle directions of the main valve and armature when pilot signal is ON and OFF. (Value in the initial stage)

How to Order Manifold Base

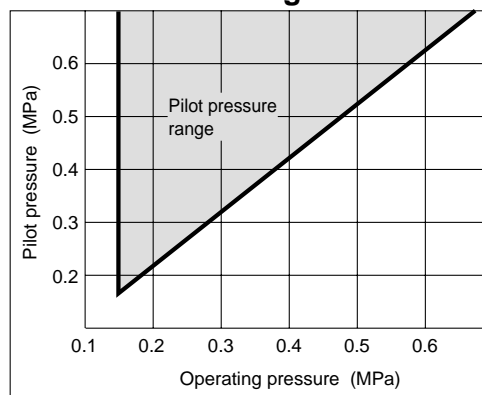
Uses the same manifold valve as the Series SYJ300

SS3YJA3 — Specify the same manifold part number as SS3YJ3.

*Specify the part numbers for the valve(s), blank plate assembly and manifold base.

<Example> **SS3YJA3-41-03-M3**1 pc.
 SYJA314.....1 pc.
 SYJA324.....1 pc.
 SYJ300-10-2A1 pc.

Pilot Pressure Range

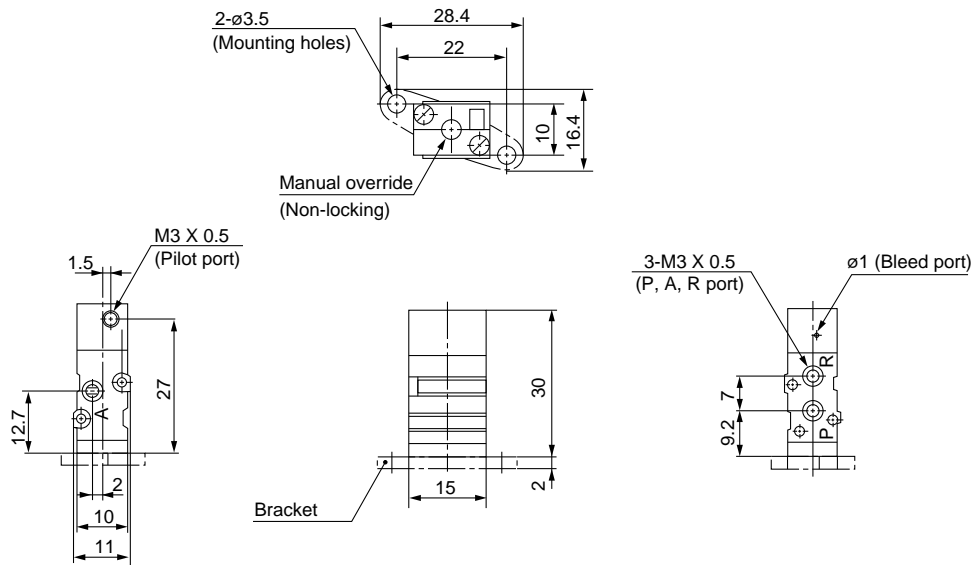


⚠ Caution

Read carefully before handling. Refer to p. 0-33 to 0-36 for Safety Instruction and common precautions.

Dimensions

Body ported: SYJA3□2-M3(-F)



S□A

V□A

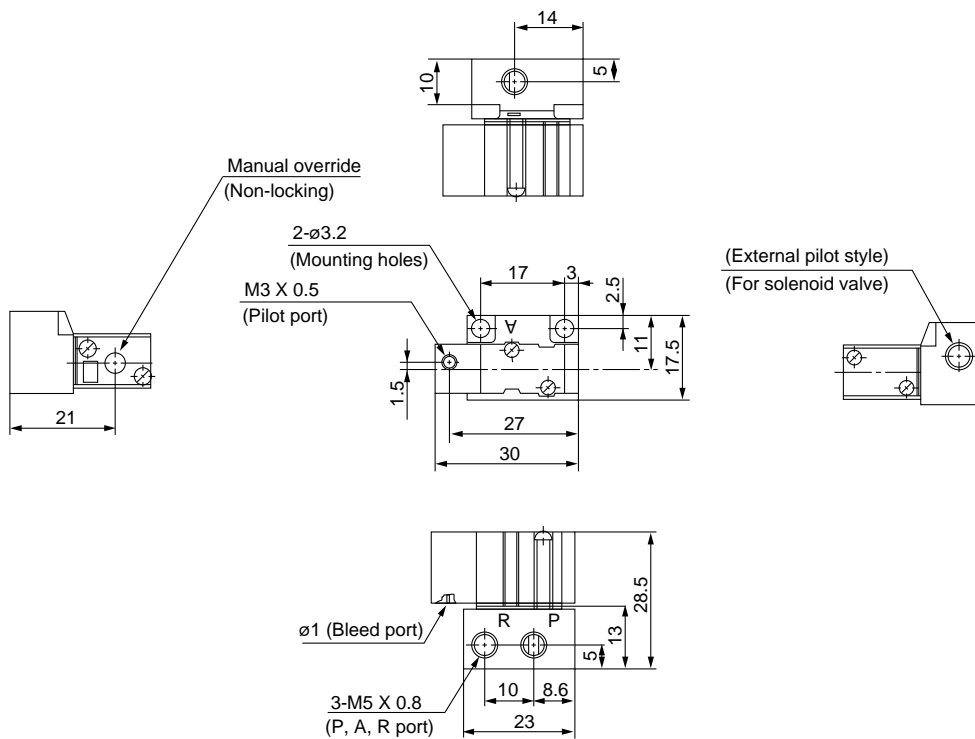
S□A

V□A

VM/VR

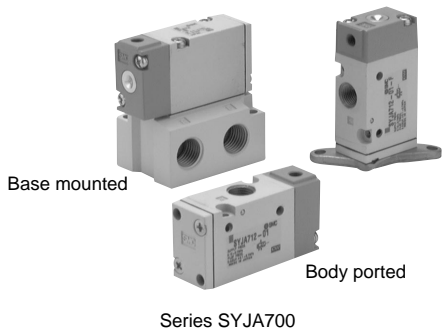
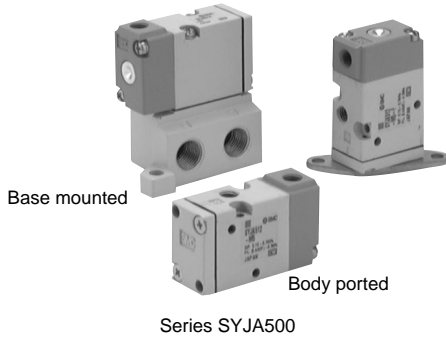
VH

Base mounted: SYJA3□4-M5



3 Port Air Operated Valve

Series SYJA500/700



Model

Valve model	Actuation	Port size	Effective area (mm ²) (Cv)	Pilot port size	Weight (g)
Body ported	SYJA512-M5 N.C.	M5 X 0.8	3.6 (0.2)	M5 X 0.8	45
	SYJA522-M5 N.O.				
Base mounted (With sub-plate)	SYJA514-01 N.C.	Rc(PT) 1/8	4.5 (0.25)	M5 X 0.8	75 (Without sub-plate 45)
	SYJA524-01 N.O.				
Body ported	SYJA712-01 N.C.	Rc(PT) 1/8	9 (0.5)	M5 X 0.8	80
	SYJA722-01 N.O.				
Base mounted (With sub-plate)	SYJA714-01 N.C.	Rc(PT) 1/8, 1/4		M5 X 0.8	130 (Without sub-plate 80)
	SYJA724-01 N.O.				

Note) Model number for base mounted style without sub-plate is SYJA5¹/₂2 and SYJA7¹/₂2.

With Bracket

Model No. of air operated valve	SYJA5 ¹ / ₂ -M5-F, SYJA7 ¹ / ₂ -01-F
---------------------------------	--

Note) Bracket is not assembled.

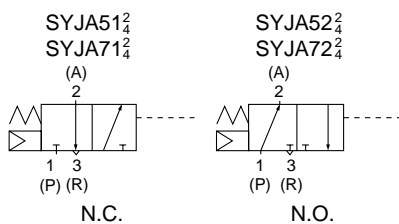
Specifications

Fluid	Air
Operating pressure range (MPa)	0.15 to 0.7
Pilot pressure range (MPa)	(0.4 X P + 0.1) to 0.7 P: Operating pressure
Ambient and fluid temperature (°C)	Max.60
Lubrication	Not required (If lubricant is required use turbine oil class no.1 ISOVG32.)
Mounting position	Free
Impact/Vibration resistance (m/s ²) (1)	300/50

Note 1) Impact resistance: No malfunction resulted from the impact test using a drop impact tester. The test was performed on the axis and right angle directions of the main valve and armature, when pilot signal is ON and OFF. (Value in the initial stage)

Vibration resistance: No malfunction occurred in a one-sweep test between 8.3 and 2000Hz. Test was performed to axis and right angle directions of the main valve and armature when pilot signal is ON and OFF. (Value in the initial stage)

JIS symbol



How to Order Manifold Base

Uses the same manifold valve as the SYJ500, 700 series.

(SYJA500) **SS3YJA5** — Specify the same manifold part number as SS3YJ5.

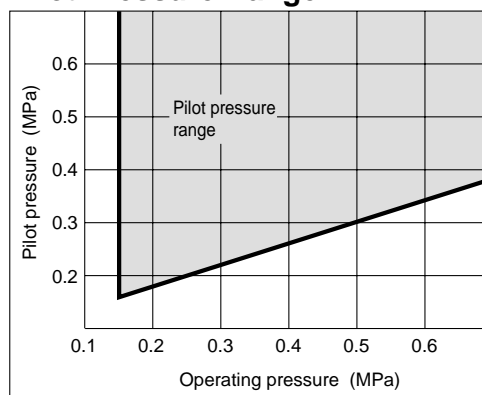
(SYJA700) **SS3YJA7** — Specify the same manifold part number as SS3YJ7.

*Specify the part numbers for the valve(s), blank plate assembly and manifold base.

<Example> **SS3YJA5-40-031-01** 1 pc.
SYJA514 2 pcs.
SYJ500-10-3A 1 pc.

<Example> **SS3YJA7-41-031-01** 1 pc.
SYJA714 2 pcs.
SYJ700-10-2A 1 pc.

Pilot Pressure Range



Caution

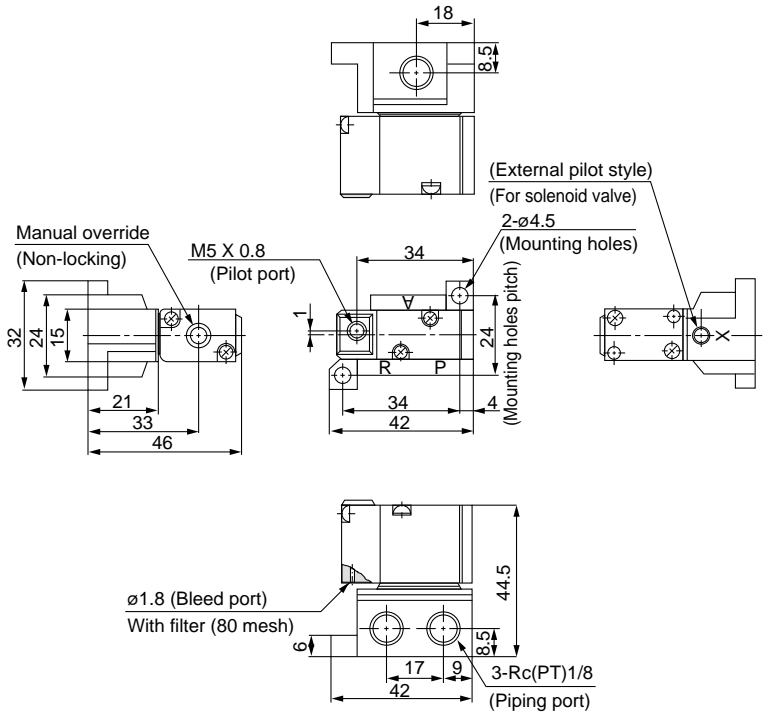
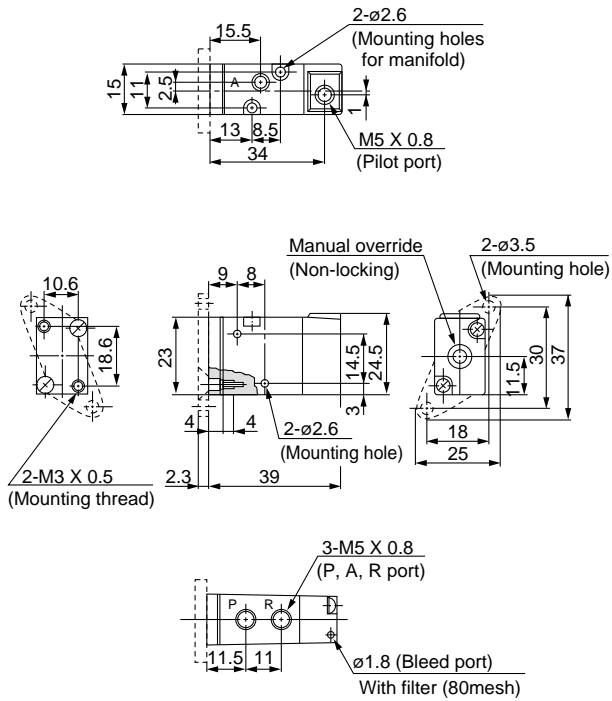
Be sure to read before handing. Refer to p. 0-33 to 0-36 for Safety Instruction and common precautions.

Dimensions

Series SYJA500

Body Ported: SYJA5□2-M5(-F)

Base Mounted: SYJA5□4-01



S□A
V□A

S□A
V□A

VM/VR
VH

Series SYJA700

Body Ported: SYJA7□2-01(-F)

Base Mounted: SYJA7□4-01⁰¹/₀₂

