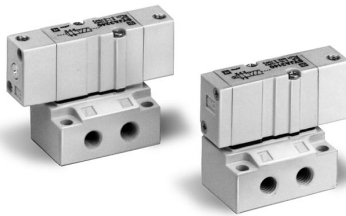
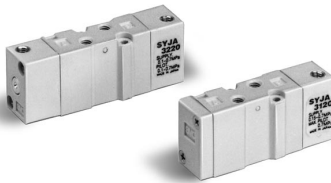


4/5 Port Air Operated Valve Series SYJA3000



Base mounted



Body ported

Model

	Valve model	Configuration	Port size	Effective area (mm ²) (Cv)	Pilot port size	Weight (g) ⁽²⁾
Body ported	SYJA3120-M3	2 position single	M3 X 0.5	0.9 (0.05)	M3 X 0.5	22
	SYJA3220-M3	2 position double				25
	SYJA3320-M3	3 position closed center				28
	SYJA3420-M3	3 position exhaust center				
	SYJA3520-M3	3 position pressure center				
5 port base mounted (With sub-plate)	SYJA3140-M5	2 position single	M5 X 0.8	1.8 (0.1)	M3 X 0.5	48(22)
	SYJA3240-M5	2 position double				51(25)
	SYJA3340-M5	3 position exhaust center				54 (28)
	SYJA3440-M5	3 position exhaust center				
	SYJA3540-M5	3 position pressure center				
4 port base mounted (For manifold)	SYJA3130	2 position single	M3 X 0.5 ⁽¹⁾	1.2 ⁽¹⁾ (0.067)	M3 X 0.5	22
	SYJA3230	2 position double				25
	SYJA3330	3 position exhaust center	M5 X 0.8			28
	SYJA3430	3 position exhaust center				
	SYJA3530	3 position pressure center				



Note 1) Value when used on a manifold.

Note 2) (): Without sub-plate

Note 3) Model No. for 5 port base mounted style without sub-plate is SYJA3□40.

With Bracket

Air operated valve part No.	SYJA3□20-M3-F
-----------------------------	---------------

The mounting bracket for the 2 position double solenoid and 3 position is supplied unattached.

Specifications

Fluid		Air
Operating pressure range (MPa)	2 position single	0.15 to 0.7
	2 position double	0.1 to 0.7
	3 position	0.2 to 0.7
Pilot pressure range (MPa)	2 position single	Operating pressure to 0.7
	2 position double	
	3 position	
Ambient and fluid temperature (°C)		Max.60
Lubrication		Not required
Mounting position		Free
Impact/Vibration resistance (m/s ²) ⁽¹⁾		300/50



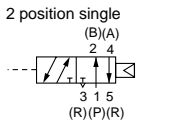
Note 1) Impact resistance: No malfunction resulted from the impact test using a drop impact tester.

The test was performed on the axis and right angle directions of the main valve and armature, when pilot signal is ON and OFF. (Value in the initial stage)

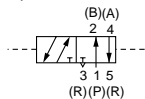
Vibration resistance: No malfunction occurred in one sweep test between 8.3 and 2000Hz. Test was performed to axis and right angle directions of the main valve and armature when pilot signal is ON and OFF. (Value in the initial stage)

JIS symbol

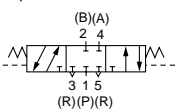
5 port



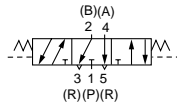
2 position double



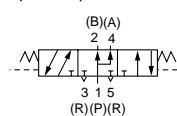
3 position closed center



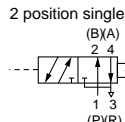
3 position exhaust center



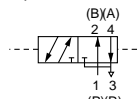
3 position pressure center



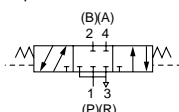
4 port



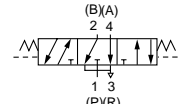
2 position double



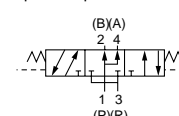
3 position closed center



3 position exhaust center



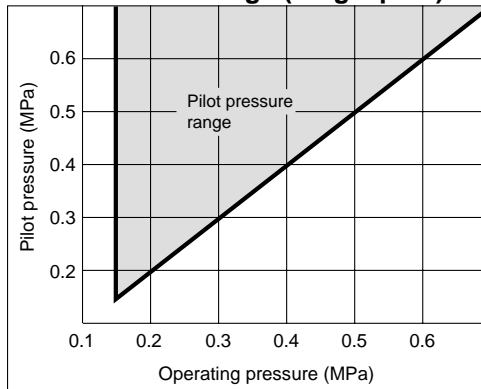
3 position pressure center



Caution

Be sure to read before handing. Refer to p.0-33 to 0-36 for Safety Instructions and common precautions.

Pilot Pressure Range (Single pilot)



How to Order Manifold Base

Uses the same manifold bases as the SYJ3000 series.

SS5YJA3- The remainder part number is called out the same as an SS5YJ3.

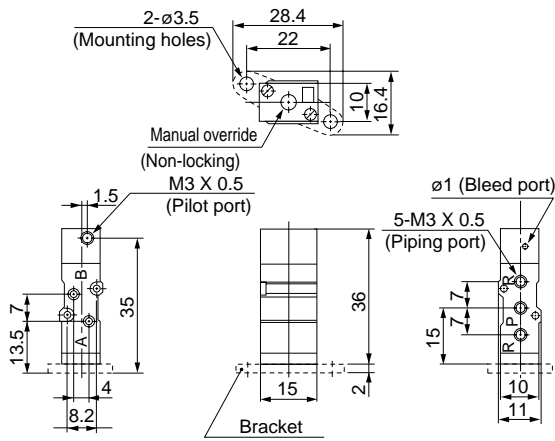
* Specify the part numbers for the valve(s), blank plate assembly and manifold base.

<Example>

SS5YJA3-41-03-M5.....1 pc.
SYJA3140..... 1 pc.
SYJA3240..... 1 pc.
SYJ3000-21-2A.....1 pc.

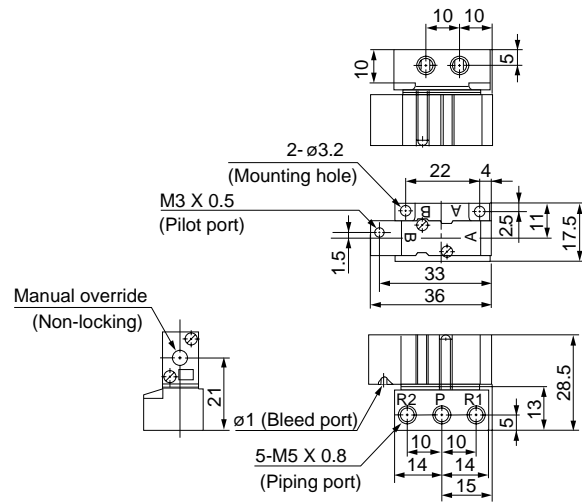
Body Ported

2 position single: SYJA3120-M3(-F)



Base Mounted

2 position single: SYJA3140-M5



S□A

V□A

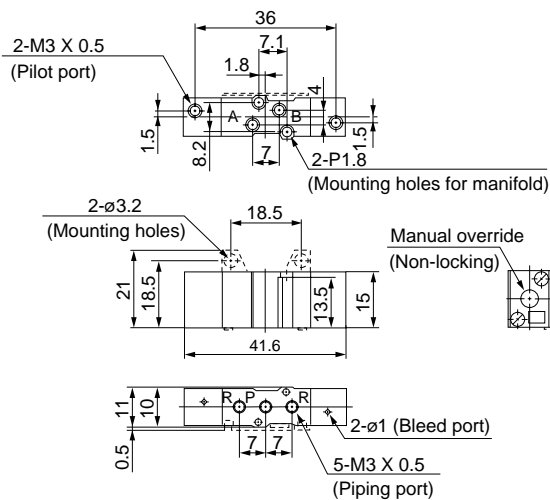
S□A

V□A

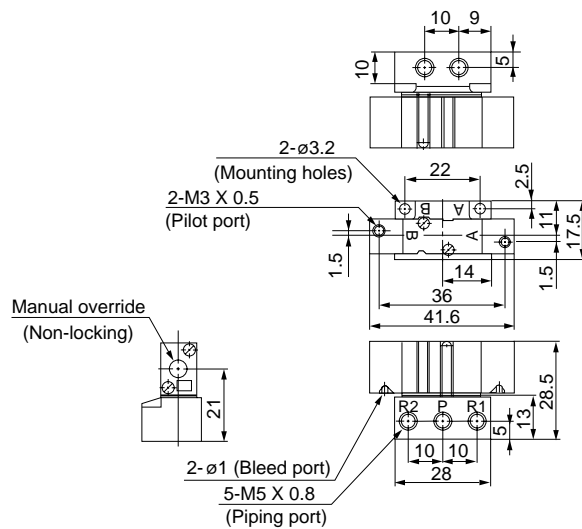
VMVR

VH

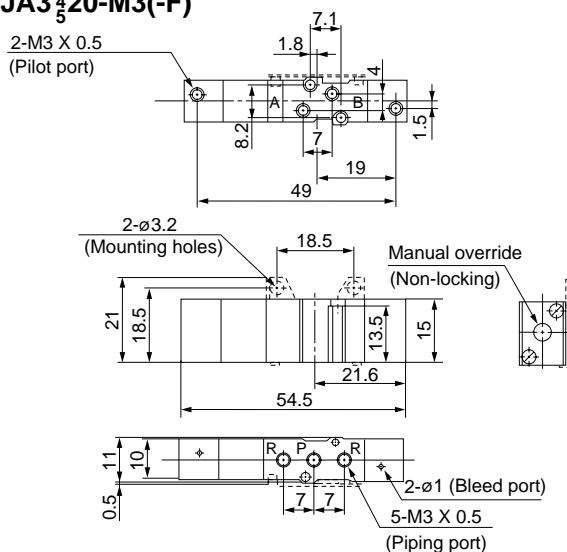
2 position double: SYJA3220-M3(-F)



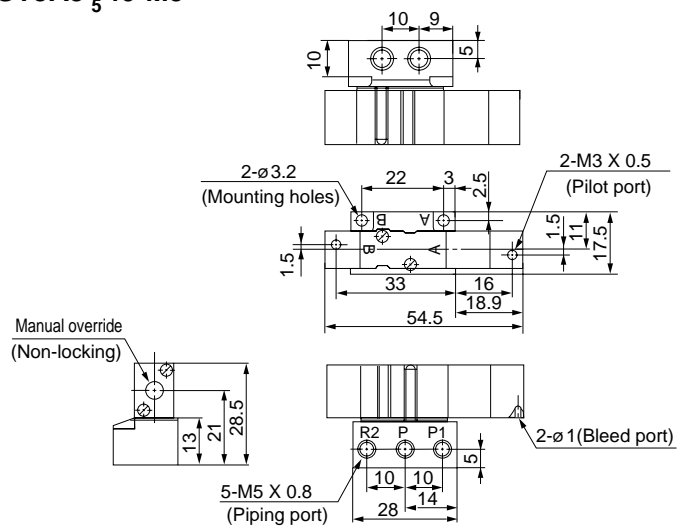
2 position double: SYJA3240-M5



3 position closed center/exhaust center/pressure center: SYJA3₃120-M3(-F)



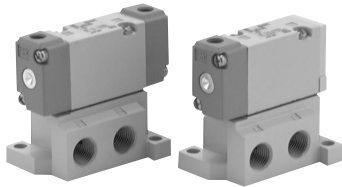
3 position closed center/exhaust center/pressure center: SYJA3₃140-M5



4/5 Port Air Operated Valve

Series SYJA5000

Model



Base mounted



Body ported

	Valve model	Configuration	Port size Rc(PT)	Effective area (1) (mm ²) (Cv)	Pilot port size	Weight (2) (g)
Body ported	SYJA5120-M5	2 position single	M5 X 0.8	3.6 (0.2)	M5 X 0.8	45
	SYJA5220-M5	2 position double		3.6 (0.2)		60
	SYJA5320-M5	3 position closed center		3.2 (0.18)		70
	SYJA5420-M5	3 position exhaust center		3.6 (0.2) [2.7 (0.15)]		
	SYJA5520-M5	3 position pressure center		P→A,B: 4.0 (0.22) [2.7 (0.15)] A,B→R1,R2: 3.4 (0.19)		
Base mounted (With sub-plate)	SYJA5140-01	2 position single	1/8	4.5 (0.25)	M5 X 0.8	79 (45)
	SYJA5240-01	2 position double		4.5 (0.25)		94 (60)
	SYJA5340-01	3 position closed center		3.4 (0.19)		104 (70)
	SYJA5440-01	3 position exhaust center		4.5 (0.25) [2.7 (0.15)]		
	SYJA5540-01	3 position pressure center		P→A,B: 5.3 (0.29) [3.1 (0.17)] A,B→R1,R2: 4.0 (0.22)		



Note1) [] for normal position. Exhaust center: A, B→R1, R2. Pressure center: P→A, B
 Note2) (): Without sub-plate
 Note3) Model number for 5 port base mounted style without sub-plate is SYJA5□40

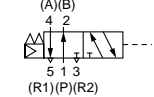
With Bracket

Air operated valve part No.	SYJA5120-M5-F	The mounting bracket is supplied unattached.
------------------------------------	---------------	--

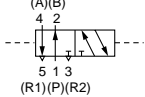
JIS Symbol

Body ported

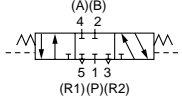
2 position single



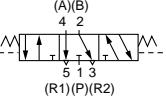
2 position double



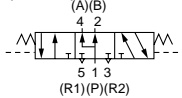
3 position closed center



3 position exhaust center

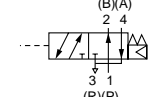


3 position pressure center

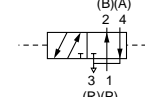


Base mounted

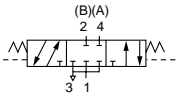
2 position single



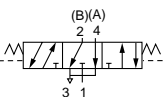
2 position double



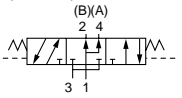
3 position closed center



3 position exhaust center



3 position pressure center



Caution

Be sure to read before handling. Refer to p.0-33 to 0-36 for Safety Instructions and common precautions.

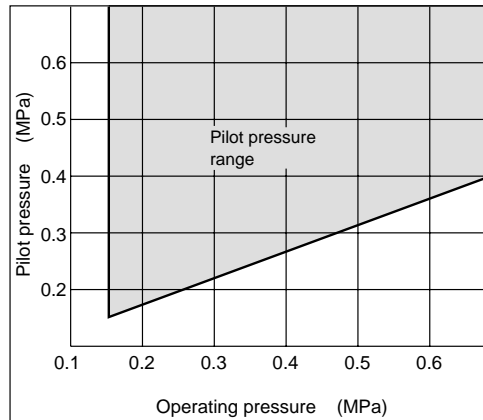
Specifications

Fluid	Air	
Operating pressure range (MPa)	2 position single	0.15 to 0.7
	2 position double	0.1 to 0.7
	3 position	0.15 to 0.7
Pilot pressure range (MPa)	2 position single	(0.4 X P+0.1) to 0.7 P: Operating pressure
	2 position double	0.1 to 0.7
	3 position	0.15 to 0.7
Ambient and fluid temperature (°C)	Max. 60	
Lubrication	Not required	
Mounting position	Free	
Impact/Vibration resistance (m/s ²) (1)	300/50	



Note 1) Impact resistance: No malfunction resulted from the impact test using a drop impact tester. The test was performed on the axis and right angle directions of the main valve and armature, when pilot signal is ON and OFF. (Valve in the initial stage)
 Vibration resistance: No malfunction occurred in one sweep test between 8.3 and 2000Hz. Test was performed to axis and right angle directions of the main valve and armature when pilot signal is ON and OFF. (Valve in the initial stage)

Pilot Pressure Range (Single pilot)



How to Order Manifold Base

Uses the same manifold bases as the SYJ5000 series.

SS5YJA5- The remainder of the manifold part number is called out the same as an SS5YJ5

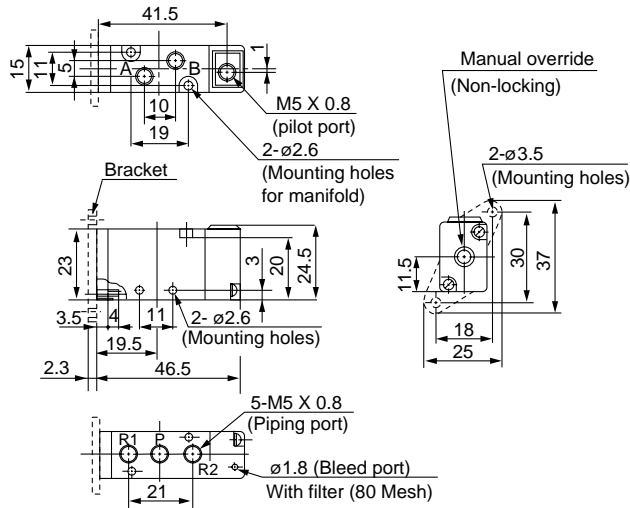
*Specify the part numbers for the valve(s), blank plate assembly and manifold base.

<Example>

- SS5YJA5-42-031-01.....1 pc.
- SYJA51401 pc.
- SYJA52401 pc.
- SYJ5000-21-1A.....1 pc.

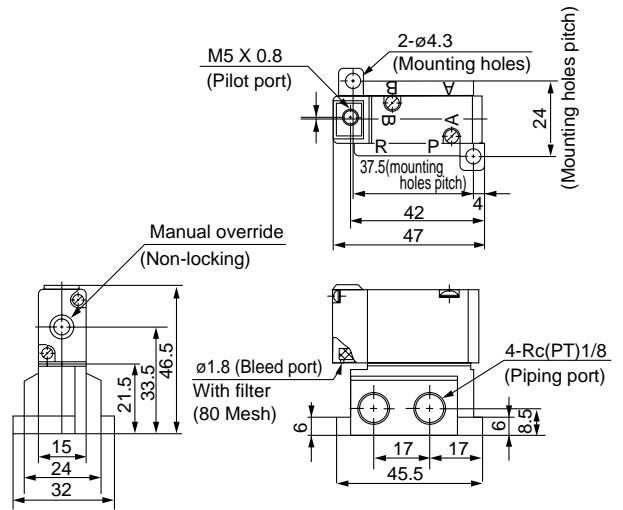
Body Ported

2 position single: SYJA5120-M5(-F)



Base Mounted

2 position single: SYJA5140-01



SOA

VOA

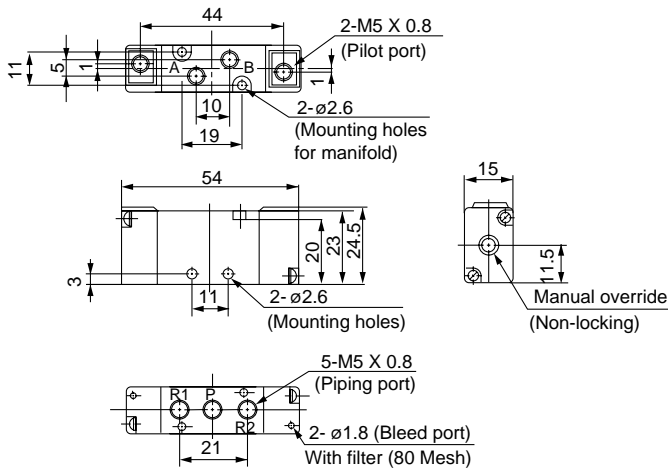
SOA

VOA

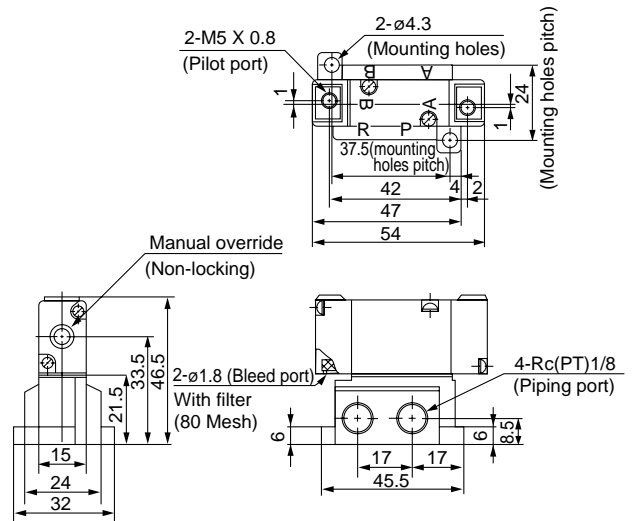
VMVR

VH

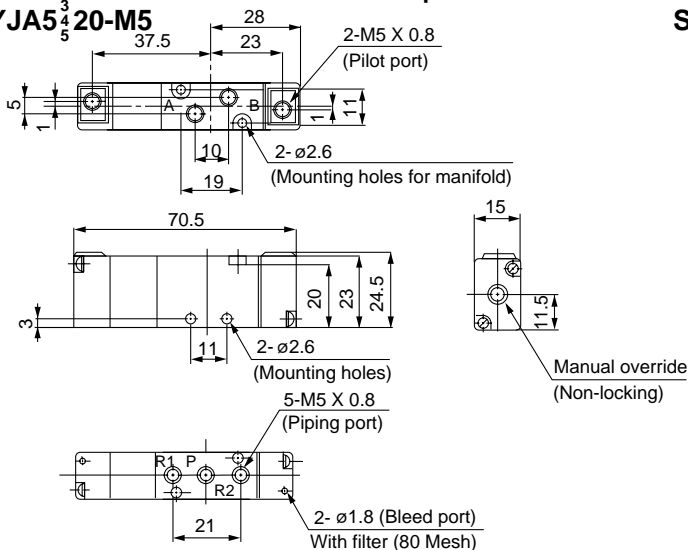
2 position double: SYJA5220-M5



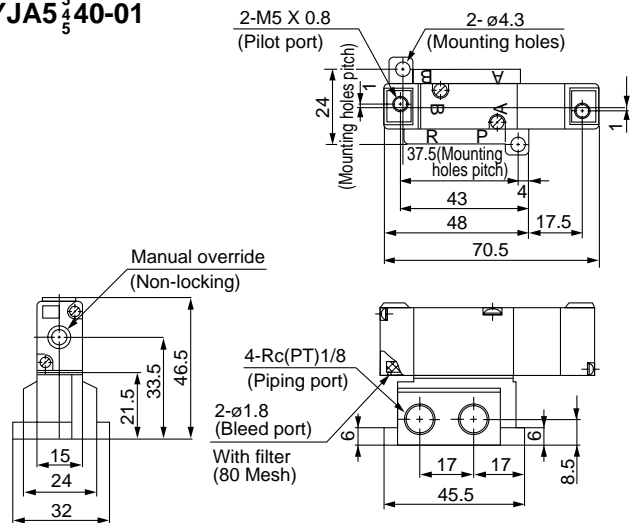
2 position double: SYJA5240-01



3 position closed center/exhaust center/pressure center: SYJA5³/₅20-M5



3 position closed center/exhaust center/pressure center: SYJA5³/₅40-01

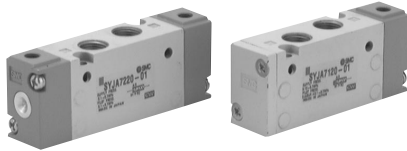


4/5 Port Air Operated Valve

Series SYJA7000



Base mounted



Body ported

Model

Valve model	Configuration	Port size Rc(PT)	Effective area ⁽²⁾ (mm ²) (Cv)	Pilot port size	Weight ⁽³⁾ (g)
Body ported	SYJA7120-01	1/8	11 (0.6)	M5 X 0.8	90
	SYJA7220-01		11 (0.6)		110
	SYJA7320-01		8.5 (0.47)		120
	SYJA7420-01		9 (0.5) [6.5 (0.36)]		
	SYJA7520-01		P→A, B: 13.5 (0.75) [7 (0.39)] A, B→R1, R2: 7 (0.39)		
Base mounted (With sub-plate)	SYJA7140-01/02	1/8, 1/4 ⁽¹⁾	12.6 (0.7)	M5 X 0.8	170 (90)
	SYJA7240-01/02		12.6 (0.7)		190 (110)
	SYJA7340-01/02		8.5 (0.47)		200 (120)
	SYJA7440-01/02		9 (0.5) [6.5 (0.36)]		
	SYJA7540-01/02		P→A, B: 13.5 (0.75) [7 (0.39)] A, B→R1, R2: 7 (0.39)		



Note1) P, A, B port: Rc(PT)1/8→R1, R2 port: Rc(PT)1/4
 Note2) []: for normal position: Exhaust center: A, B→R1, R2, Pressure center: P→A, B
 Note3) (): Without sub-plate
 Note4) Model No. for 5 port base mounted style without sub-plate is SYJA7□40.

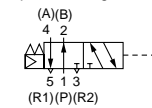
With Bracket

Air operated valve part No.	SYJA7120-01-F	The mounting bracket is supplied unattached.
------------------------------------	---------------	--

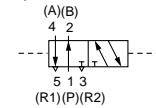
JIS symbol

Body ported

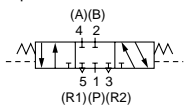
2 position single



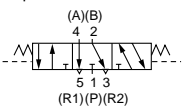
2 position double



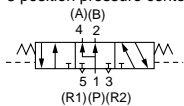
3 position closed center



3 position exhaust center

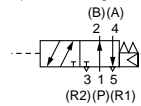


3 position pressure center

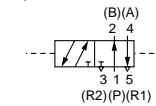


Base mounted

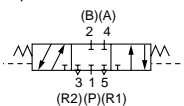
2 position single



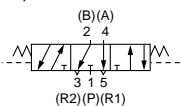
2 position double



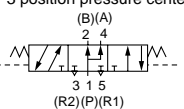
3 position closed center



3 position exhaust center



3 position pressure center



Caution

Be Sure to read before handing. Refer to p.0-33 to 0-36 for Safety Instructions and common precautions.

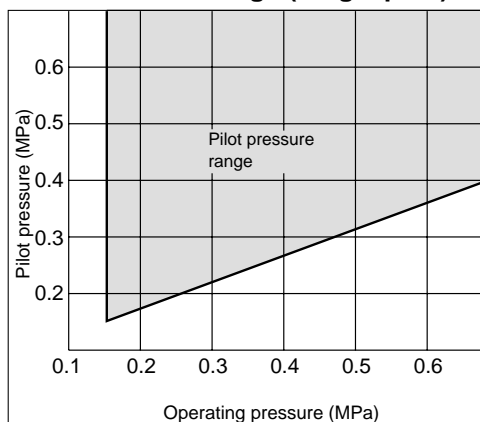
Specifications

Fluid	Air	
Operating pressure range (MPa)	2 position single	0.15 to 0.7
	2 position double	0.1 to 0.7
	3 position	0.15 to 0.7
Pilot pressure range (MPa)	2 position single	(0.4 X P+0.1) to 0.7 P: Operating pressure
	2 position double	0.1 to 0.7
	3 position	0.15 to 0.7
Ambient and fluid temperature (°C)	Max.60	
Lubrication	Not required	
Mounting position	Free	
Impact/Vibration resistance (m/s ²) ⁽¹⁾	300/50	



Note 1) Impact resistance: No malfunction resulted from the impact test using a drop impact tester. The test was performed on the axis and right angle directions of the main valve and armature, when pilot signal is ON and OFF. (Value in the initial stage)
 Vibration resistance: No malfunction occurred in one sweep test between 8.3 and 2000Hz. Test was performed to axis and right angle directions of the main valve and armature when pilot signal is ON and OFF. (Value in the initial stage)

Pilot Pressure Range (Single pilot)



How to Order Manifold Base

Uses the same manifold bases as the SYJ7000 series.

SS5YJA7 — The remainder part number is called out the same as an SS5YJ7.

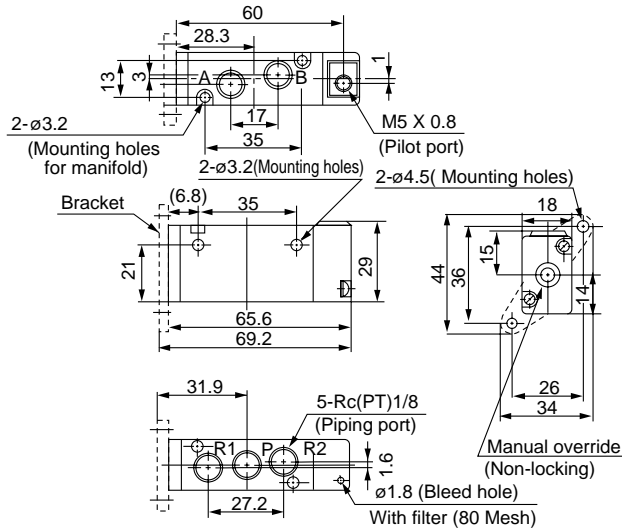
* Specify the part numbers for the valve(s), blank plate assembly and manifold base.

<Example>

SS5YJA7-41-031-01 1 pc.
 SYJA7140 1 pc.
 SYJA7240 1 pc.
 SYJ7000-21-1A 1 pc.

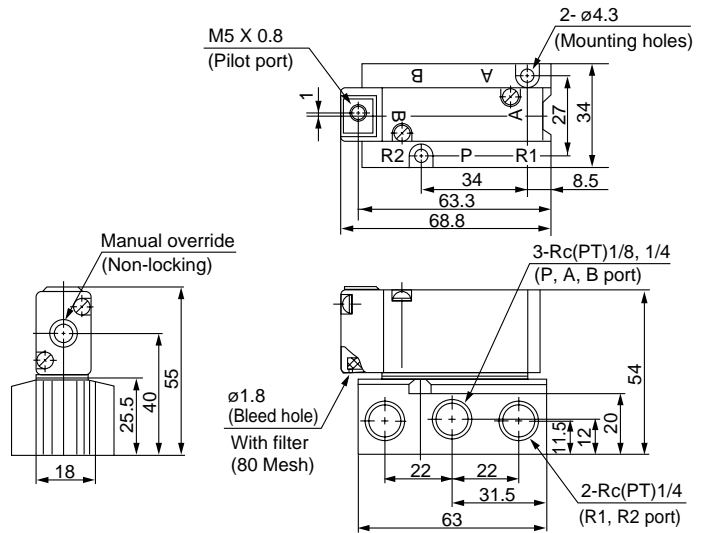
Body Ported

2 position single: SYJA7120-01(-F)

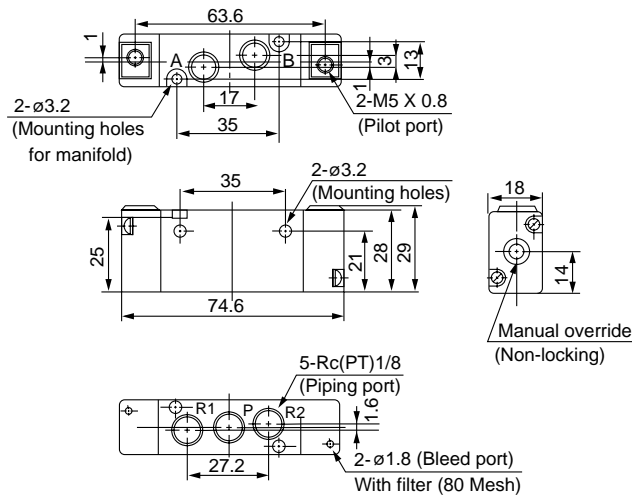


Base Mounted

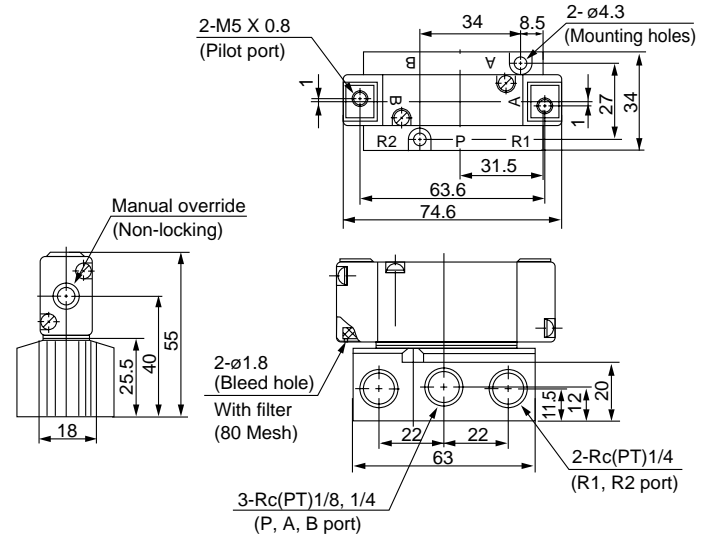
2 position single: SYJA7140-01⁰²



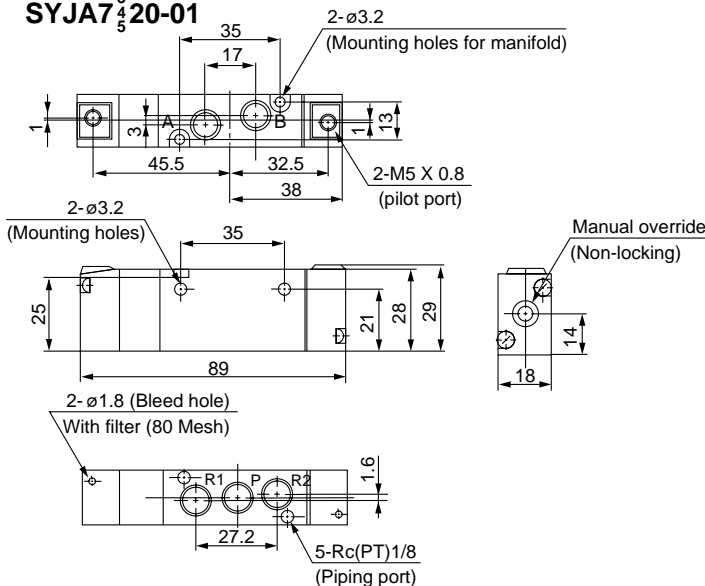
2 position double: SYJA7220-01



2 position double: SYJA7240-01⁰²



3 position closed center/exhaust center/pressure center: SYJA7³/₅20-01



3 position closed center/exhaust center/pressure center: SYJA7³/₅40-01⁰²

