

INFORMATION **New!**

SMC Pneumatics, Inc. 3011 N. Franklin Road Indianapolis, Indiana 46226
 1-800-SMC-SMC1 (762-7621) www.smcusa.com US99-E469 7/00

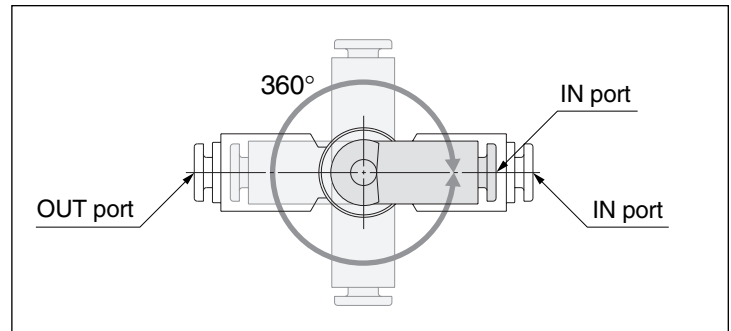
Shuttle Valve/AND Valve with One-Touch Fittings Series VR12□□F



Interrupters for control of air pressure signal system lines

IN port can be rotated 360°

Piping is possible in any position.
 In addition, One-touch fittings make piping connections easy.



IN and OUT ports can be easily distinguished

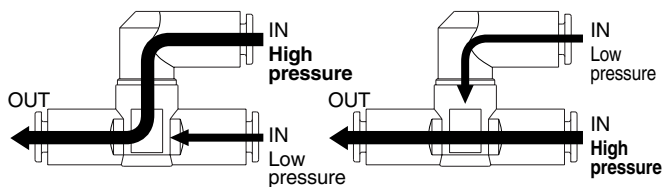
Since the One-touch fitting colors are different, IN and OUT can be confirmed at a glance to prevent mispiping.



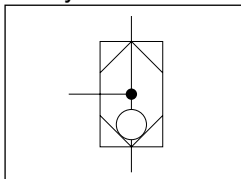
Metric and inch sizes standardized

Shuttle valve/VR12□0F

The high pressure air is always output to the OUT side.



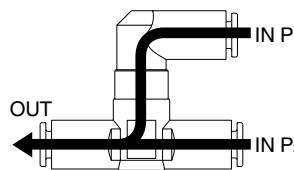
JIS symbol



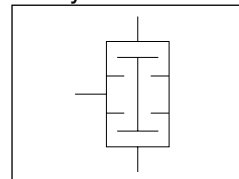
AND valve/VR1211F

There is output to the OUT side only when air is supplied to both P₁ and P₂.

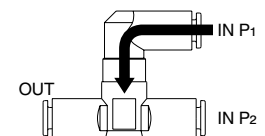
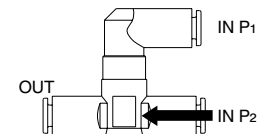
In case of different pressures, the lower pressure is output to the OUT side.



JIS symbol



There is no output to the OUT side if air is supplied to only one of P₁ and P₂.



Series VR12□□F Shuttle Valve with One-Touch Fittings



Models

Model	Applicable tubing outside diameter									
	Metric size					Inch size				
	3.2	4	6	8	10	1/8"	5/32"	1/4"	5/16"	3/8"
VR1210F	●	●	●	●		●	●	●	●	
VR1220F			●	●	●			●	●	●

Specifications

Proof pressure	1.5MPa (218 psi)
Maximum operating pressure	1MPa (145 psi)
Minimum operating pressure	0.05MPa (7 psi)
Ambient and fluid temperature	-5 to 60°C (23 to 140°F) (with no freezing)
Applicable tubing material ^{Note 1)}	Nylon, Soft nylon, Polyurethane

Note 1) Use caution regarding the maximum operating pressure with soft nylon and polyurethane. (Refer to "Air Fittings and Tubing" CAT.E501-B.)

Note 2) On standard products all brass parts are electroless nickel plated. (Suitable for copper free applications.)

Flow Rate and Effective Area

Model		VR1210F				VR1220F		
Applicable tubing O.D.	Metric size	ø3.2	ø4	ø6	ø8	ø6	ø8	ø10
	Inch size	ø1/8"	ø5/32"	ø1/4"	ø5/16"	ø1/4"	ø5/16"	ø3/8"
IN→OUT	Flow rate ℓ/min	150	210	420	480	440	680	1000
	ANR (SCFM)	(5.25)	(7.35)	(14.7)	(16.8)	(15.4)	(23.8)	(35.0)
	Effective area	2.3	3.2	6.4	7.3	6.7	10.4	15.2
	mm ² Cv	(0.13)	(0.18)	(0.36)	(0.41)	(0.37)	(0.58)	(0.84)

Note 1) Flow rate values are at a pressure of 0.5MPa (72 psi) and temperature of 20°C (68°F).

How to Order

VR 12 1 0 F — 06

Body size ●

1	1/8 standard
2	1/4 standard

With One-touch fitting ●

Applicable tubing outside diameter ●

Metric sizes		Inch sizes	
23	ø3.2 *	01	ø1/8"
04	ø4	03	ø5/32"
06	ø6	07	ø1/4"
08	ø8	09	ø5/16"
10	ø10	11	ø3/8"

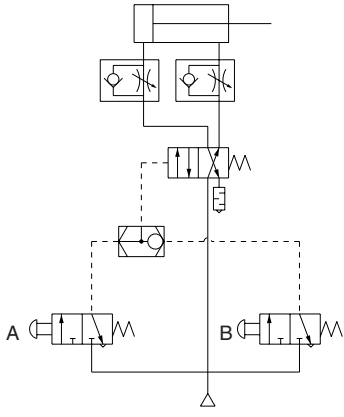
* Use ø1/8" tubing for ø3.2.

Series VR12□□F Shuttle Valve with One-Touch Fittings

Application Circuit Examples

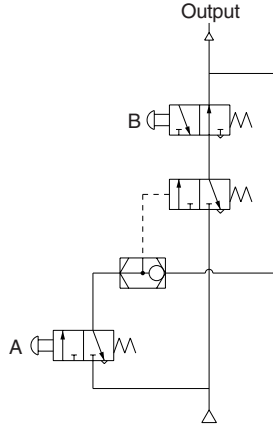
OR circuit

- The cylinder operates if either "A" or "B" is ON.



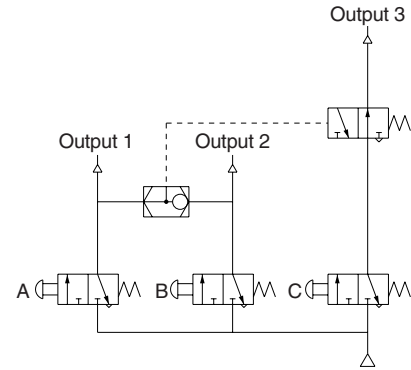
Self holding circuit

- When "A" is turned ON, output goes ON.
- The output ON state is maintained even if "A" is turned OFF.
- The output goes OFF when "B" is turned ON in condition 2.

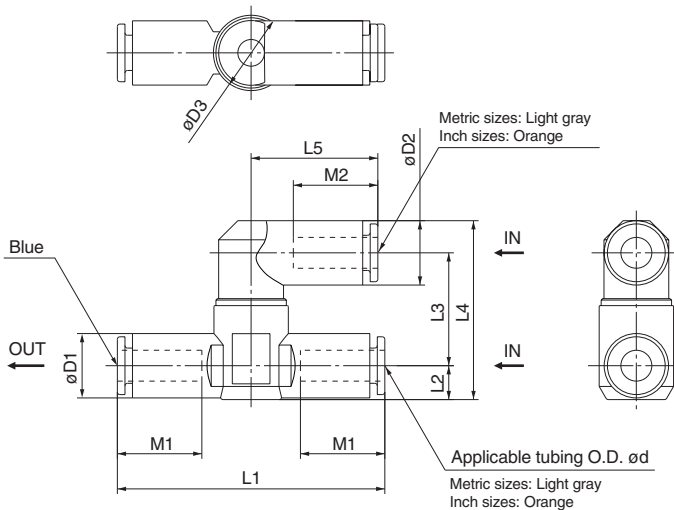


Interlock circuit

- When either "A" or "B" are ON, output 3 does not go ON even if "C" is turned ON.
- Output 3 goes ON if "C" is turned ON, only when both "A" and "B" are OFF.



Dimensions (mm)



1 in = 25.4mm
1g = 0.0353 oz

Metric sizes

Model	d	D1	D2	D3	L1	L2	L3	L4	L5	M1	M2	Weight g
VR1210F-23	3.2	11.4	8.4	14.8	52	6.2	19.4	29.8	17.5	12.7	12.9	21.4
VR1210F-04	4	12.8	10.4		56	6.8	20.3	32.2	21.9	15.7	15.8	25.2
VR1210F-06	6	12.8	12.8		53.2		22.5	35.6	25.2	16.8	16.8	23.0
VR1210F-08	8	15.2	15.2		60.4	8.1	38.2	28.2	18.7	18.7	24.0	
VR1220F-06	6	12.8	12.8	19.8	59	7.4	23.9	37.7	25.2	16.8	16.8	27.2
VR1220F-08	8	15.2	15.2		65	8.2		39.7	28.2	18.7	18.7	31.9
VR1220F-10	10	18.5	18.5		71.6	9.8	25.8	44.8	31	20.8	20.8	43.2

Inch sizes

Model	d	D1	D2	D3	L1	L2	L3	L4	L5	M1	M2	Weight g
VR1210F-01	1/8"	11.4	8.4	14.8	52	6.2	19.4	29.8	17.5	12.7	12.9	21.4
VR1210F-03	5/32"	12.8	10.4		56	6.8	20.3	32.2	21.9	15.7	15.8	25.2
VR1210F-07	1/4"	13.2	13.2		54.4		7.1	22.5	36.2	25.6	16.8	16.8
VR1210F-09	5/16"	15.2	15.2		60.4	8.1	38.2		28.2	18.7	18.7	24.0
VR1220F-07	1/4"	13.2	13.2	19.8	59	7.4	23.9	37.9	25.6	16.8	16.8	31.4
VR1220F-09	5/16"	15.2	15.2		65	8.2		39.7	28.2	18.7	18.7	31.9
VR1220F-11	3/8"	17.9	18.5		69.8	9.5	25.8	44.5	31	20.8	20.8	53.0

Series VR1211F / AND Valve with One-Touch Fittings



Models

Model	Applicable tubing outside diameter					
	Metric size			Inch size		
	3.2	4	6	1/8"	5/32"	1/4"
VR1211F	●	●	●	●	●	●

Specifications

Proof pressure	1.5MPa (218 psi)
Maximum operating pressure	1MPa (145 psi)
Minimum operating pressure	0.05MPa (7 psi)
Ambient and fluid temperature	-5 to 60°C (23 to 140°F) (with no freezing)
Applicable tubing material ^{Note 1)}	Nylon, Soft nylon, Polyurethane

Note 1) Use caution regarding the maximum operating pressure with soft nylon and polyurethane. (Refer to "Air Fittings and Tubing" CAT.E501-B.)

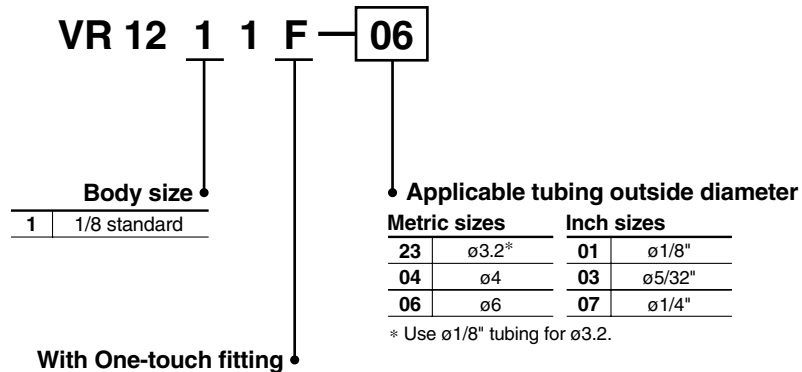
Note 2) On standard products all brass parts are electroless nickel plated. (Suitable for copper free applications.)

Flow Rate and Effective Area

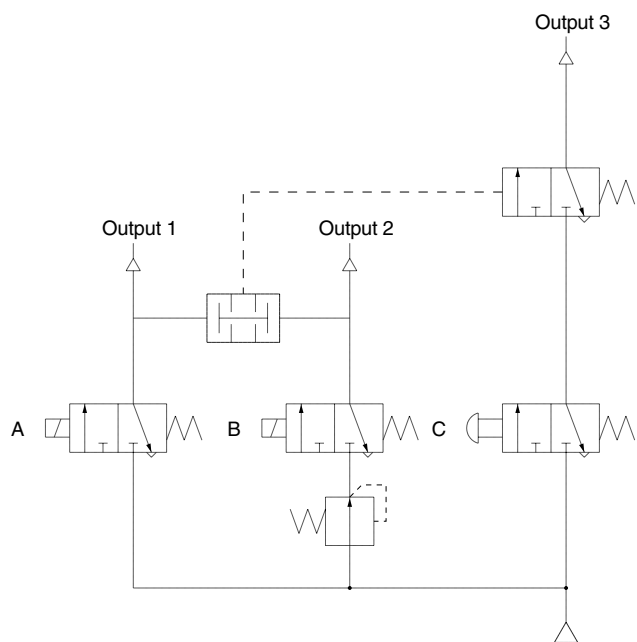
Applicable tubing O.D.	Model	VR1211F			
	Metric size	ø3.2	ø4	ø6	-
	Inch size	ø1/8"	ø5/32"	-	ø1/4"
IN→OUT	Flow rate l/min ANR (SCFM)	100 (3.5)	120 (4.2)	150 (5.3)	170 (6.0)
	Effective area mm^2 (Cv)	1.5 (0.08)	1.8 (0.1)	2.3 (0.13)	2.6 (0.14)

Note 1) Flow rate values are at a pressure of 0.5MPa (72 psi) and temperature of 20°C (68°F).

How to Order

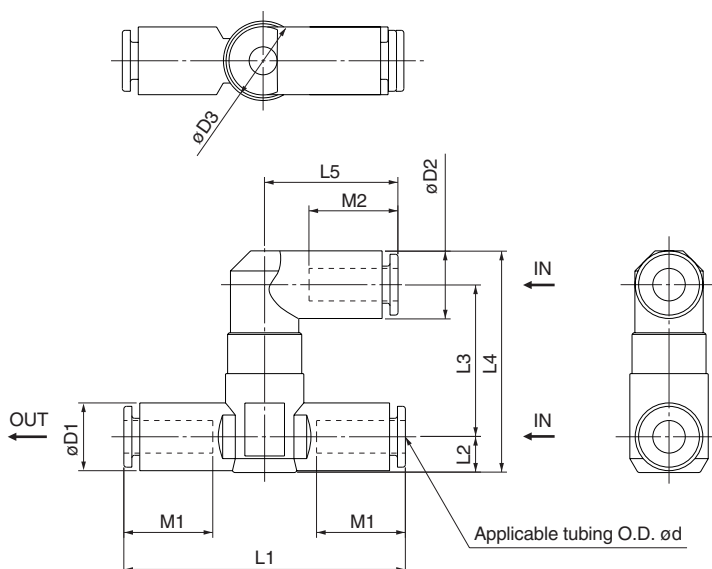


Application Circuit Example



- When "A" and "B" having different pressure conditions are turned ON, output 1 and output 2 go ON.
- Output 3 goes ON if "C" is turned ON, only when output 1 and output 2 are in an ON state.
- If either "A" or "B" is OFF, output 3 does not go ON even if "C" is turned ON.

Dimensions (mm)



1in = 25.4mm
1g = 0.0353 oz

Metric sizes

Model	d	D1	D2	D3	L1	L2	L3	L4	L5	M1	M2	Weight g
VR1211F-23	3.2	11.4	8.4	14.8	52	6.2	25.7	36.1	17.5	12.7	12.9	26.4
VR1211F-04	4	12.8	10.4		56	6.8	26.6	38.5	21.9	15.7	15.8	30.4
VR1211F-06	6	12.8	12.8		53.2		28.8	41.9	25.2	16.8	16.8	25.0

Inch sizes

Model	d	D1	D2	D3	L1	L2	L3	L4	L5	M1	M2	Weight g
VR1211F-01	1/8"	11.4	8.4	14.8	52	6.2	25.7	36.1	17.5	12.7	12.9	26.4
VR1211F-03	5/32"	12.8	10.4		56	6.8	26.6	38.5	21.9	15.7	15.8	30.4
VR1211F-07	1/4"	13.2	13.2		54.4		7.1	28.8	42.5	25.6	16.8	16.8

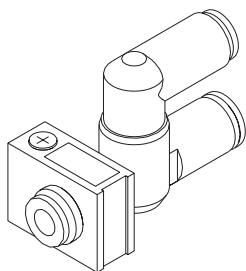
Related Products / Holder Series TMH

This holder is used to secure the AND valve and shuttle valve with One-touch fittings.

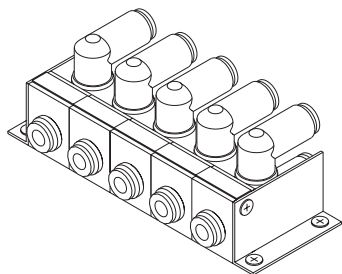
Allows highly flexible mounting.



Single unit secured using holder

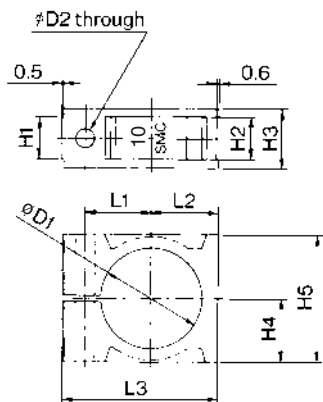


Manifolding is possible



Note) Mounting brackets are not available. This is an application example only.

Dimensions(mm)



Specifications

Ambient temperature	-20 to 60°C
Material	Polypropylene
Color	White

Accessories/Round head Phillips mounting screw (black zinc chromated)

Model		Size (nominal size x length)	Qty.
Metric size	Inch size		
—	TMH-05	M3 x 20	1
TMH-06	TMH-07	M4 x 25	
TMH-08	TMH-09	M4 x 25	
TMH-10	TMH-11	M4 x 35	

Shuttle Valve/AND Valve and Holder Compatibility

Metric sizes

Model		Applicable tubing outside diameter				
Shuttle valve	AND valve	ø3.2	ø4	ø6	ø8	ø10
VR1210F	VR1211F	TMH-05	TMH-06	TMH-06	TMH-08	—
VR1220F	—	—	—			TMH-10

Inch sizes

Model		Applicable tubing outside diameter				
Shuttle valve	AND valve	ø1/8"	ø5/32"	ø1/4"	ø5/16"	ø3/8"
VR1210F	VR1211F	TMH-05	TMH-06	TMH-07	—	—
VR1220F	—	—	—		TMH-09	TMH-11

1in = 25.4mm

Model		D1	D2	H1	H2	H3	H4	H5	L1	L2	L3
Metric size	Inch size										
—	TMH-05	11.7	3.3	6.3	6.4	9.3	7.7	15.4	8.5	8.3	21
TMH-06	—	13.1	4.3	7.1	7.2	11	10	20	11	10.6	26.5
—	TMH-07	13.5									
TMH-08	TMH-09	15.5	4.3	9.5	9.6	14	14	28	14.2	14.6	34
TMH-10	—	18.5									
—	TMH-11	18.8									

World Wide SMC Support...

North American Branch Offices For a branch office near you call: 1-800-SMC-SMC1 (762-7621)

SMC Pneumatics Inc. (Atlanta)
1440 Lakes Parkway, Suite 600
Lawrenceville, GA 30043
Tel: (770) 624-1940
FAX: (770) 624-1943

SMC Pneumatics Inc. (Detroit)
2990 Technology Drive
Rochester Hills, MI 48309
Tel: (248) 299-0202
FAX: (248) 293-3333

SMC Pneumatics Inc. (Rochester)
245 Summit Point Drive
Henrietta, NY 14467
Tel: (716) 321-1300
FAX: (716) 321-1865

SMC Pneumatics Inc. (Austin)
9101 Wall Street, Suite 1030
Austin, TX 78754
Tel: (512) 926-2646
FAX: (512) 926-7055

SMC Pneumatics Inc. (Houston)
9001 Jameel, Suite 180
Houston, TX 77040
Tel: (713) 460-0762
FAX: (713) 460-1510

SMC Pneumatics Inc. (S.F.)
85 Nicholson Lane
San Jose, CA 95134
Tel: (408) 943-9600
FAX: (408) 943-9111

SMC Pneumatics Inc. (Binghamton)
27 Link Drive
Binghamton, NY 13904
Tel: (607) 773-1300
Fax: (607) 773-8008

SMC Pneumatics Inc. (L.A.)
14191 Myford Road
Tustin, CA 92780
Tel: (714) 669-1701
FAX: (714) 669-1715

SMC Pneumatics Inc. (St. Louis)
4130 Rider Trail North
Earth City, MO 63045
Tel: (314) 209-0080
FAX: (314) 209-0085

SMC Pneumatics Inc. (Boston)
Zero Centennial Drive
Peabody, MA 01960
Tel: (978) 326-3600
Fax: (978) 326-3700

SMC Pneumatics Inc. (Milwaukee)
16850 W. Victor Road
New Berlin, WI 53151
Tel: (262) 827-0080
FAX: (262) 827-0092

SMC Pneumatics Inc. (Tampa)
8507-H Benjamin Road
Tampa, FL 33634
Tel: (813) 243-8350
FAX: (813) 243-8621

SMC Pneumatics Inc. (Charlotte)
5029-B West W.T. Harris Blvd.
Charlotte, NC 28269
Tel: (704) 597-9292
FAX: (704) 596-9561

SMC Pneumatics Inc. (Mnpls.)
990 Lone Oak Road, Suite 162
Eagan, MN 55121
Tel: (651) 688-3490
FAX: (651) 688-9013

SMC Pneumatics Inc. (Tulsa)
10203 A East 61st Street
Tulsa, OK 74146
Tel: (918) 252-7820
FAX: (918) 252-9511

SMC Pneumatics Inc. (Chicago)
27725 Diehl Road
Warrenville, IL 60555
Tel: (630) 393-0080
FAX: (630) 393-0084

SMC Pneumatics Inc. (Nashville)
5000 Linbar Drive, Suite 297
Nashville, TN 37211
Tel: (615) 331-0020
FAX: (615) 331-9950

SMC Pneumatics Inc. (Cincinnati)
4598 Olympic Blvd.
Erlanger, KY 41018
Tel: (859) 647-5600
FAX: (859) 647-5609

SMC Pneumatics Inc. (Newark)
3434 US Hwy. 22 West, Ste. 110
Somerville, NJ 08876
Tel: (908) 253-3241
FAX: (908) 253-3452

SMC Pneumatics Inc. (Cleveland)
2305 East Aurora Rd., Unit A-3
Twinsburg, OH 44087
Tel: (330) 963-2727
FAX: (330) 963-2730

SMC Pneumatics Inc. (Phoenix)
2001 W. Melinda Lane
Phoenix, AZ 85027
Tel: (623) 492-0908
FAX: (623) 492-9493

SMC Pneumatics Inc. (Columbus)
3687 Corporate Drive
Columbus, OH 43231
Tel: (614) 895-9765
FAX: (614) 895-9780

SMC Pneumatics Inc. (Portland)
14107 N.E. Airport Way
Portland, OR 97230
Tel: (503) 252-9299
FAX: (503) 252-9253

SMC Pneumatics Inc. (Dallas)
12801 N. Stemmons Frwy, Ste. 815
Dallas, TX 75234
Tel: (972) 406-0082
FAX: (972) 406-9904

SMC Pneumatics Inc. (Richmond)
5377 Glen Alden Drive
Richmond, VA 23231
Tel: (804) 222-2762
FAX: (804) 222-5221

Europe
ENGLAND
SMC Pneumatics (U.K.) Ltd.
GERMANY
SMC Pneumatik GmbH
ITALY
SMC Italia SpA
FRANCE
SMC Pneumatique SA
HOLLAND
SMC Controls BV
SWEDEN
SMC Pneumatics Sweden AB
SWITZERLAND
SMC Pneumatik AG
AUSTRIA
SMC Pneumatik GmbH
SPAIN
SMC España, S.A.
IRELAND
SMC Pneumatics (Ireland) Ltd.

SMC Thailand Ltd.
INDIA
SMC Pneumatics (India) Pvt., Ltd.
North America
CANADA
SMC Pneumatics (Canada) Ltd.
MEXICO
SMC Pneumatics (Mexico) S.A. de C.V.

South America
ARGENTINA
SMC Argentina S.A.
CHILE
SMC Pneumatics (Chile) Ltda.

Oceania
AUSTRALIA
SMC Pneumatics (Australia) Pty. Ltd.
NEW ZEALAND
SMC Pneumatics (N.Z.) Ltd.

Asia
JAPAN
SMC Corporation
KOREA
SMC Pneumatics Korea Co., Ltd.
CHINA
SMC (China) Co., Ltd.
HONG KONG
SMC Pneumatics (Hong Kong) Ltd.
SINGAPORE
SMC Pneumatics (S.E.A.) Pte. Ltd.
PHILIPPINES
SMC Pneumatics (Philippines), Inc.
MALAYSIA
SMC Pneumatics (S.E.A.) Sdn. Bhd.
TAIWAN
SMC Pneumatics (Taiwan) Co., Ltd.
THAILAND

VALVES
SERIAL BUS NETWORK PRODUCTS

GRIPPERS AND CLAMPS
ELECTRICAL ACTUATORS

HIGH AND LOW VACUUM PRODUCTS
INSTRUMENTATION



COMPREHENSIVE PRODUCT OFFERING

CYLINDERS AND ACTUATORS
SPECIALS

FITTINGS
AIR PREPARATION EQUIPMENT

CHILLERS AND THERMO CONS
VALUE ADDED PRODUCTS

SMC Pneumatics, Inc. U.S. Headquarters
3011 N. Franklin Road Indianapolis, Indiana 46226
Tel: (317) 899-4440 FAX: (317) 899-3102
1-800-SMC-SMC1 (762-7621) www.smcusa.com