

Flow Characteristics/Weight

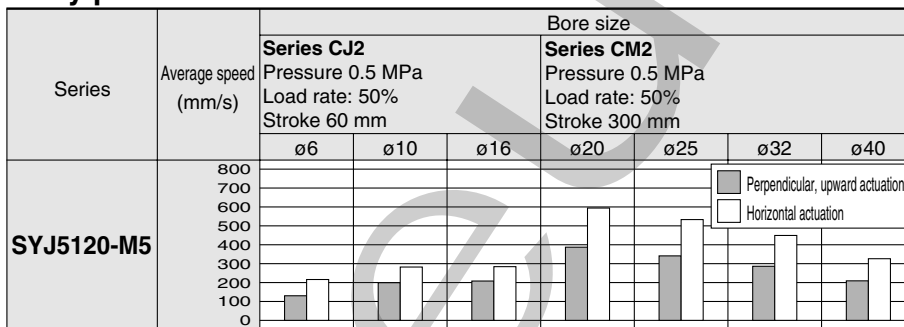
Valve model	Type of actuation	Port size		Flow characteristics ^{Note 1)}						Weight (g) ^{Note 2, 3)}							
		1, 5, 3 (P, EA, EB)	4, 2 (A, B)	1→4/2 (P→A/B)			4/2→5/3 (A/B→EA/EB)			Grommet	L/M plug connector	DIN terminal	M8 connector				
		C [dm ³ /(s·bar)]	b	Cv	C [dm ³ /(s·bar)]	b	Cv										
Body ported	2 position	Single	M5 x 0.8	M5 x 0.8	0.47	0.41	0.13	0.47	0.41	0.13	46	47	68	51			
											64	66	108	74			
		Double			0.49	0.44	0.13	0.44	0.40	0.12	75	77	119	85			
					0.46	0.37	0.12	0.47 [0.39]	0.43 [0.35]	0.13 [0.10]							
	3 position	Exhaust center	M5 x 0.8	C4 (One-touch fitting for ø4)	0.49 [0.39]	0.51 [0.38]	0.14 [0.10]	0.45	0.42	0.12	53	54	75	58			
															0.69	0.39	0.18
		Pressure center			0.69	0.40	0.19	0.43	0.40	0.12	71	73	115	81			
					0.56	0.40	0.15	0.41 [0.41]	0.37 [0.37]	0.10 [0.11]							
	2 position	Single	M5 x 0.8	C6 (One-touch fitting for ø6)	0.70	0.36	0.19	0.47	0.40	0.12	53	54	75	58			
											71	73	115	81			
		Double			0.72	0.37	0.19	0.44	0.34	0.12	82	84	126	72			
					0.67	0.54	0.19	0.41 [0.41]	0.38 [0.38]	0.11 [0.11]							
3 position	Exhaust center	M5 x 0.8	C6 (One-touch fitting for ø6)	0.82 [0.44]	0.41 [0.39]	0.23 [0.12]	0.41	0.36	0.11	82	84	126	92				
														0.72	0.37	0.19	0.44
	Pressure center			0.67	0.54	0.19	0.41 [0.41]	0.38 [0.38]	0.11 [0.11]	82	84	126	92				
				0.82 [0.44]	0.41 [0.39]	0.23 [0.12]	0.41	0.36	0.11								
Base mounted	2 position	Single	1/8	1/8	0.79	0.21	0.19	0.83	0.32	0.21	80 (49)	81 (47)	102 (68)	51			
											98 (64)	100 (66)	142 (108)	74			
	Double	0.80			0.28	0.18	0.86	0.34	0.20	109 (75)	111 (77)	153 (119)	85				
		0.71			0.26	0.18	1.1 [0.60]	0.24 [0.44]	0.26 [0.18]								
	3 position	Exhaust center			0.99 [0.47]	0.29 [0.38]	0.24 [0.12]	0.72	0.38	0.18	0.72	0.38	0.18	109 (75)	111 (77)	153 (119)	85

Note 1) []: denotes the normal position. Exhaust center: 4/2 → 5/3, Pressure center: 1 → 4/2
 Note 2) (): Without sub-plate.
 Note 3) For DC voltages. For AC voltages add 3 g to the weight of the single solenoid and 6 g to the weight of the double solenoid and 3 position types.

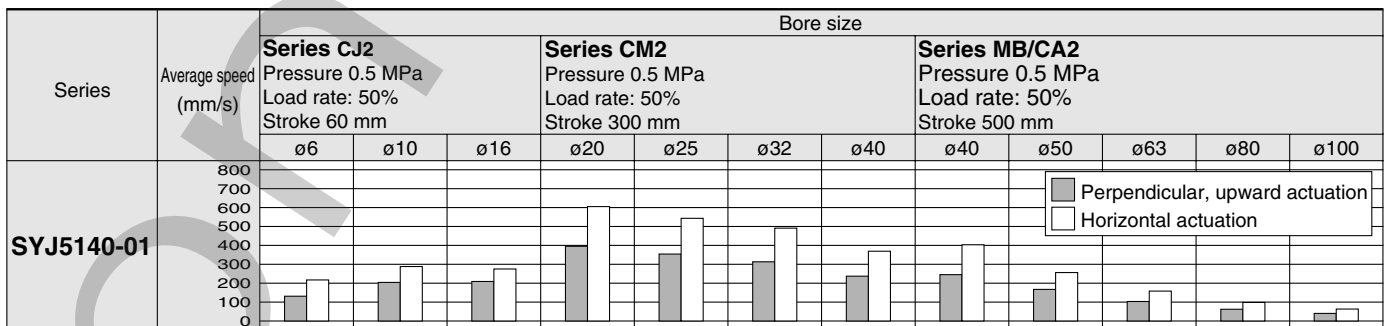
Cylinder Speed Chart

Use as a guide for selection.
 Please confirm the actual conditions with P/A Sizing Program.

Body ported



Base mounted



* Cylinder is in extending. Speed controller is meter-out, which is directly connected with cylinder and its needle is fully opened.
 * Average speed of cylinder is obtained by dividing the full stroke time by the stroke.
 * Load factor: ((Load weight x 9.8) / Theoretical force) x 100%

Conditions

Body ported	Series CJ2	Series CM2	Series MB/CA2
Tubing bore x Length	ø4 x 1 m	ø6 x 1 m	ø8 x 1 m
Speed controller	AS1301F-04	AS3301F-06	AS3301F-08
Silencer	AN120-M5	AN110-01	

Base mounted	Series CJ2	Series CM2	Series MB/CA2
Tubing bore x Length	ø4 x 1 m	ø6 x 1 m	
Speed controller	AS2301F-04	AS3001F-06	
Silencer	AN101-01	AN101-01	

Series SYJ5000

How to Order

Type of actuation

1	2 position single solenoid
2	2 position double solenoid
3	3 position closed center
4	3 position exhaust center
5	3 position pressure center

Light/Surge voltage suppressor Electrical entry for G, H, L, M, W

Nil	Without light/surge voltage suppressor
S	With surge voltage suppressor
Z	With light/surge voltage suppressor
R	With surge voltage suppressor (Non-polar type)
U	With light/surge voltage suppressor (Non-polar type)

- * For AC voltage valves there is no "S" option. It is already built-in to the rectifier circuit.
- * For type "R" and "U", DC voltage is only available.
- * Power saving circuit is only available in the "Z" type.

Electrical entry for D

Nil	Without light/surge voltage suppressor
S	With surge voltage suppressor (Non-polar type)
Z	With light/surge voltage suppressor (Non-polar type)

- * DOZ is not available.
- * For AC voltage valves there is no "S" option. It is already built-in to the rectifier circuit.

Rated voltage

DC		AC (50/60 Hz)	
5	24 VDC	1	100 VAC
6	12 VDC	2	200 VAC
V	6 VDC	3	110 VAC [115 VAC]
S	5 VDC	4	220 VAC [230 VAC]
R	3 VDC		

- * DC specifications of type D and DO is only available with 12 and 24 VDC.

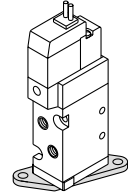
- * For type W□, DC voltage is only available.

A, B port size

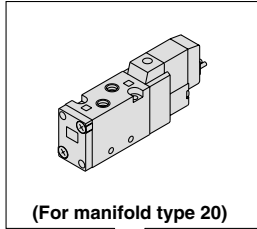
M5	M5 x 0.8
C4	One-touch fitting for Ø4
C6	One-touch fitting for Ø6
N3	One-touch fitting for Ø5/32"
N7	One-touch fitting for Ø1/4"

Bracket

Nil: Without bracket
F: With bracket



Note) The mounting bracket is supplied unattached.

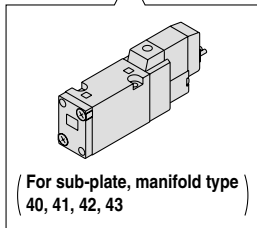


Body ported

SYJ5 1 2 0 [] 5 L [] [] M5 []

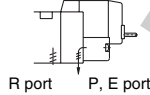
Base mounted

SYJ5 2 4 0 [] 5 L [] [] [] []

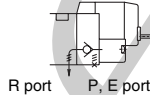


Body option

0: Pilot valve individual exhaust for the pilot valve



3: Common exhaust type for main and pilot valve



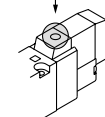
Coil specifications

Nil	Standard
T	With power saving circuit <24 V, 12 VDC only>

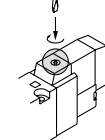
- * Power saving circuit is not available in the case of D, DO or W□ type.

Manual override

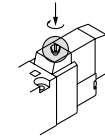
Nil: Non-locking push type



D: Push-turn locking slotted type



E: Push-turn locking lever type

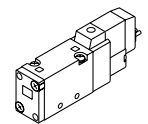


Thread type

Nil	Rc
F	G
N	NPT
T	NPTF

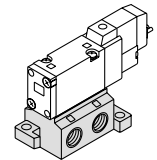
Port size

Nil: Without sub-plate



(With gasket and screws)

O1: 1/8 With sub-plate



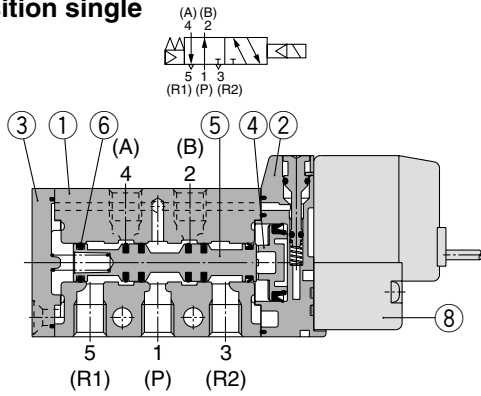
Electrical entry

24, 12, 6, 5, 3 VDC 100, 110, 200, 220 VAC		24, 12 VDC 100, 110, 200, 220 VAC		24, 12, 6, 5, 3 VDC	
Grommet	L plug connector	M plug connector	DIN terminal	M8 connector	
G: Lead wire length 300 mm	L: With lead wire (Length 300 mm)	M: With lead wire (Length 300 mm)	D: With connector	WO: Without connector cable	
H: Lead wire length 600 mm	LN: Without lead wire	LO: Without connector	DO: Without connector		
	MN: Without lead wire	MO: Without connector			

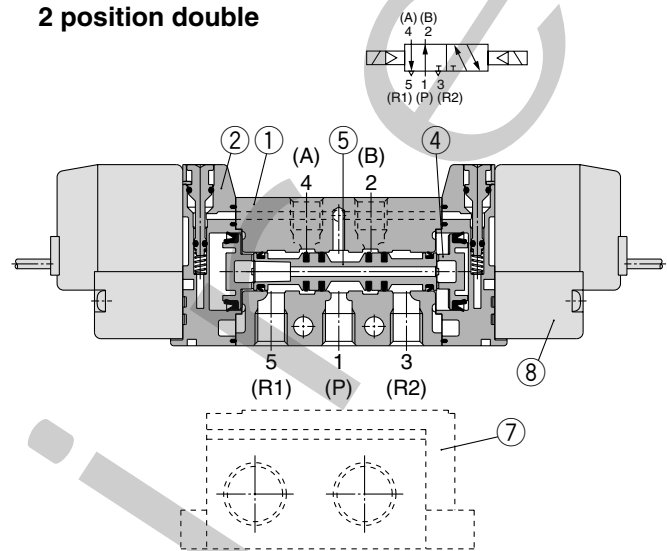
- * LN, MN type: with 2 sockets.
- * DIN terminal "Type Y" conforming to DIN43650C standard is also available. (For details, refer to catalog in page 80.)
- * For connector cable of M8 connector, refer to page 90.

Construction

2 position single

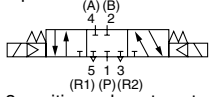


2 position double

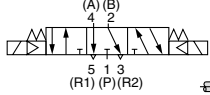


3 position closed center/Exhaust center/Pressure center

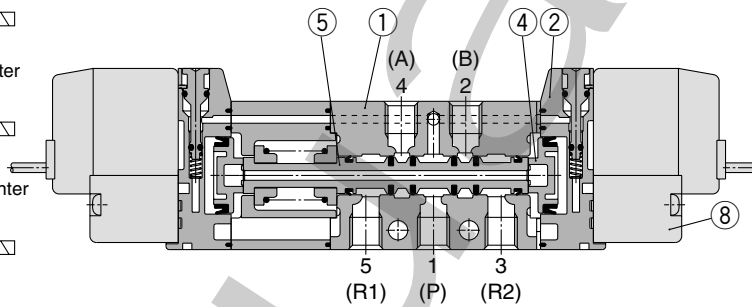
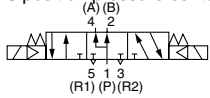
3 position closed center



3 position exhaust center



3 position pressure center



(This figure shows a closed center type.)

Component parts

No.	Description	Material	Note
1	Body	Aluminum die-casted	White
2	Piston plate	Resin	White
3	End cover	Resin	White
4	Piston	Resin	—
5	Spool valve assembly	Aluminum, H-NBR	—
6	Spool spring	Stainless steel	—

Replacement parts

No.	Description	No.	Note
7	Sub-plate	SYJ5000-22-1	Aluminum die-casted
8	Pilot valve	V111(T)-□□□	—

Series SYJ5000

How to Order Pilot Valve Assembly

V111 — 5 G

Coil specifications

Nil	Standard: DC specifications
A	Standard: AC specifications
T	With power saving circuit (24, 12 VDC only)

* Power saving circuit is not available in the case of W□ type.

Rated voltage

5	24 VDC
6	12 VDC
V	6 VDC
S	5 VDC
R	3 VDC
1	100 VAC 50/60 Hz
2	200 VAC 50/60 Hz
3	110 VAC 50/60 Hz [115 VAC 50/60 Hz]
4	220 VAC 50/60 Hz [230 VAC 50/60 Hz]

* For type W□, DC voltage is only available.

Light/surge voltage suppressor

Nil	Without light/surge voltage suppressor
S	With surge voltage suppressor
Z	With light/surge voltage suppressor
R	With surge voltage suppressor (Non-polar type)
U	With light/surge voltage suppressor (Non-polar type)

* For AC voltage valves there is no "S" option. It is already built-in to the rectifier circuit.
* For type "R" and "U", DC voltage is only available.
* Power saving circuit is only available in the "Z" type.

Electrical entry

G	Grommet, 300 mm lead wire
H	Grommet, 600 mm lead wire
L	L plug
LN	L plug connector
LO	Without connector
M	M plug
MN	M plug connector
MO	Without connector
W0	M8 connector

* For connector cable of M8 connector, refer to page 90.

How to Order Connector Assembly for L and M Plug Connector

For DC : SY100-30-4A-
For 100 VAC : SY100-30-1A-
For 200 VAC : SY100-30-2A-
For other voltages of AC : SY100-30-3A-

Without lead wire : SY100-30-A
(with connector and 2 of sockets only)

Lead wire length

Nil	300 mm
6	600 mm
10	1000 mm
15	1500 mm
20	2000 mm
25	2500 mm
30	3000 mm
50	5000 mm

How to Order M8 Connector Cable

V100-49-1-

Cable length

1	300 mm
2	500 mm
3	1000 mm
4	2000 mm
7	5000 mm

V115 — 5 D

Rated voltage

5	24 VDC
6	12 VDC
1	100 VAC 50/60 Hz
2	200 VAC 50/60 Hz
3	110 VAC 50/60 Hz [115 VAC 50/60 Hz]
4	220 VAC 50/60 Hz [230 VAC 50/60 Hz]

* DC specifications of type D and DO is only available with 12 and 24 VDC.
* Power saving circuit is not available in the case of D or DO type.

Light/surge voltage suppressor

Nil	Without light/surge voltage suppressor
S	With surge voltage suppressor (Non-polar type)
Z	With light/surge voltage suppressor (Non-polar type)

* DOZ is not available.
* For AC voltage valves there is no "S" option. It is already built-in to the rectifier circuit.

Electrical entry

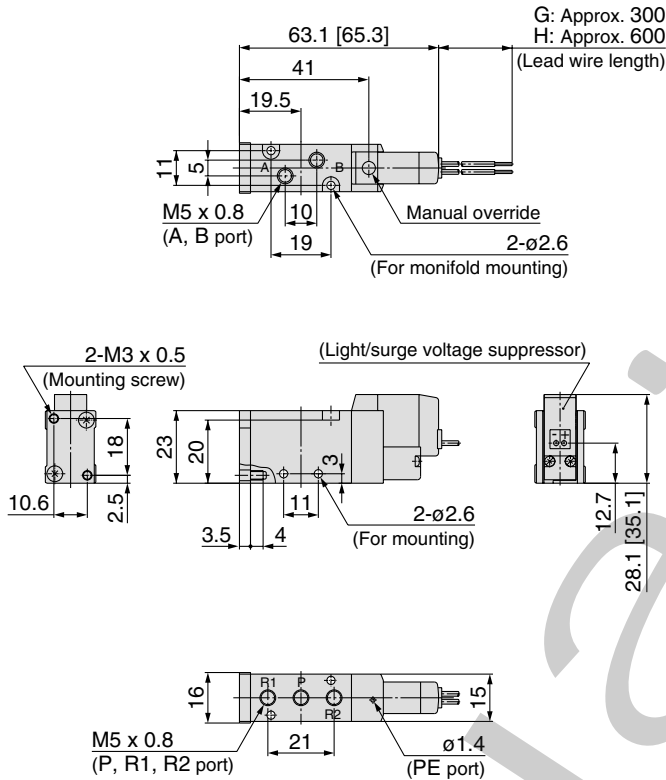
D	DIN terminal	With connector
DO	terminal	Without connector

Note) Do not replace SV111 (G, H, L, M, W) to SV115 (DIN terminal) and vice versa when replacing pilot valve assembly only.

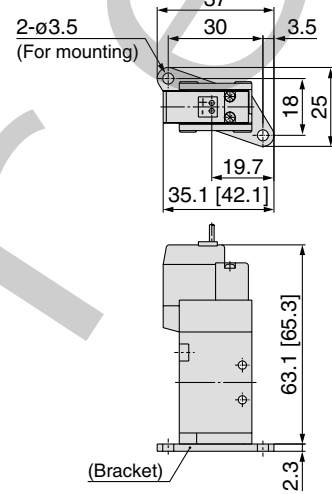
2 Position Single



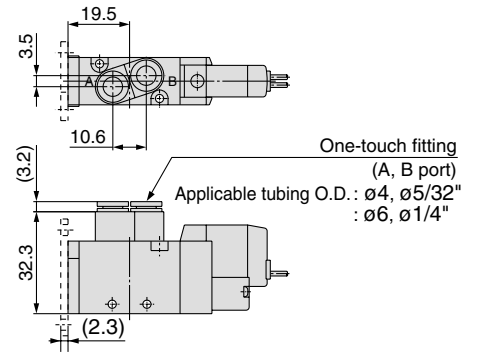
Grommet (G), (H): SYJ5120-□^G□□-M5



**With bracket
SYJ5120-□^G□□-M5-F**



**Built-in one-touch fitting:
SYJ5120-□^G□□-^{C4, N3}_{C6, N7} (-F)**

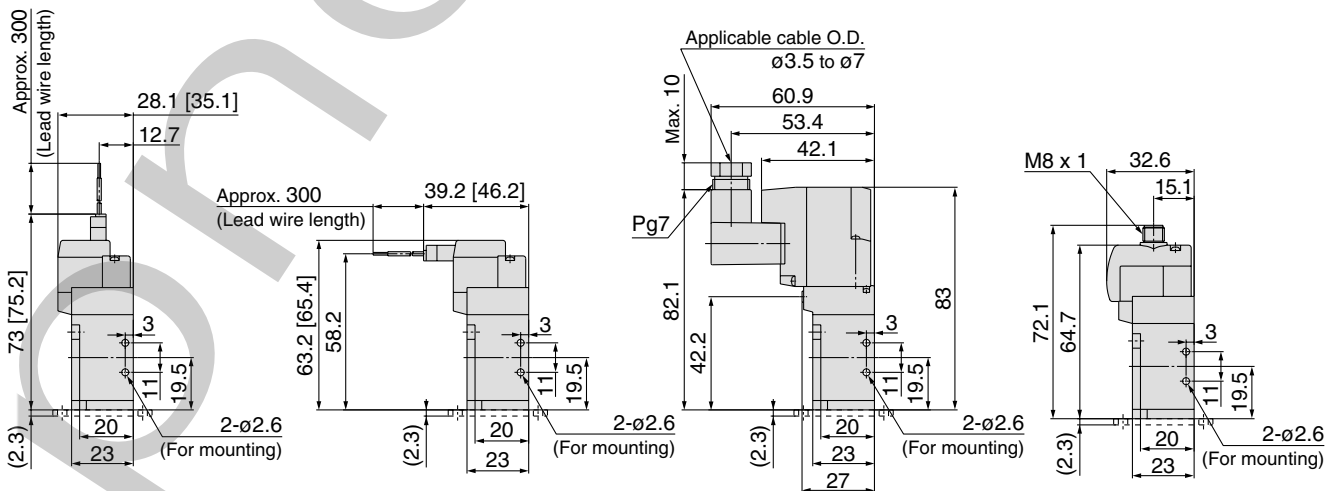


**L plug connector (L):
SYJ5120-□L□□-M5(-F)**

**M plug connector (M):
SYJ5120-□M□□-M5(-F)**

**DIN terminal (D):
SYJ5120-□D□□-M5(-F)**

**M8 connector (W0):
SYJ5120-□W0□□-M5(-F)**



Refer to the page 91 for dimensions with connector cable.

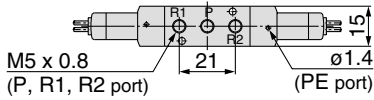
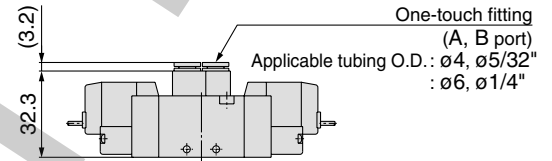
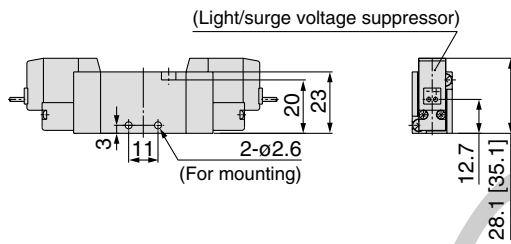
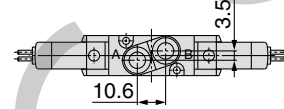
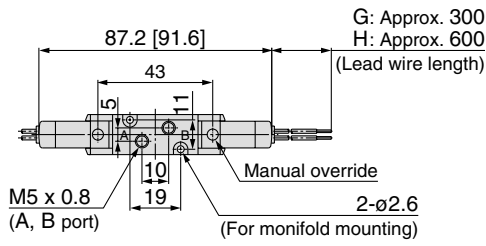
Series SYJ5000

2 Position Double



Grommet (G), (H): SYJ5220-□^G□□□-M5

Built-in one-touch fitting:
SYJ5220-□^G□□□-C4, N3
C6, N7

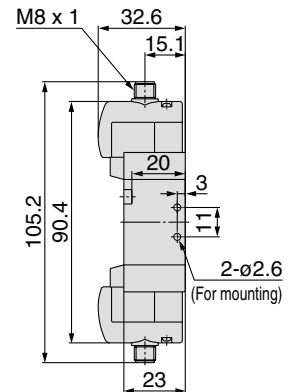
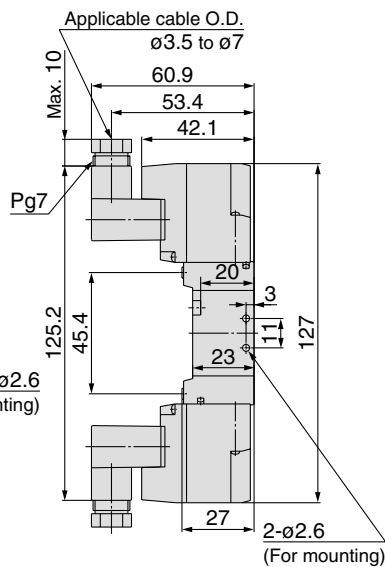
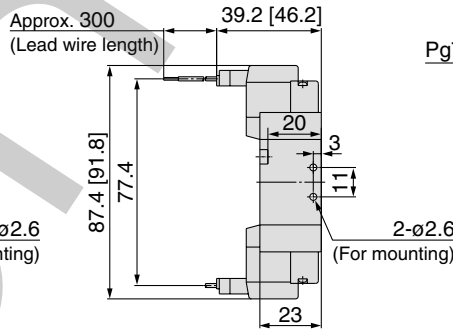
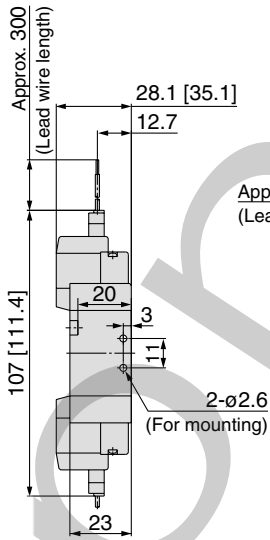


L plug connector (L):
SYJ5220-□L□□-M5

M plug connector (M):
SYJ5220-□M□□-M5

DIN terminal (D):
SYJ5220-□D□□-M5

M8 connector (W0):
SYJ5220-□W0□□-M5



Refer to the page 91 for dimensions with connector cable.

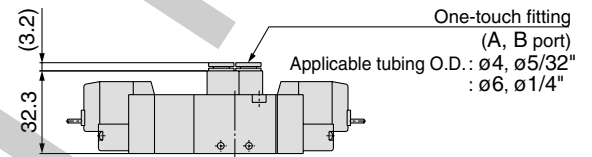
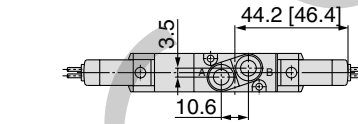
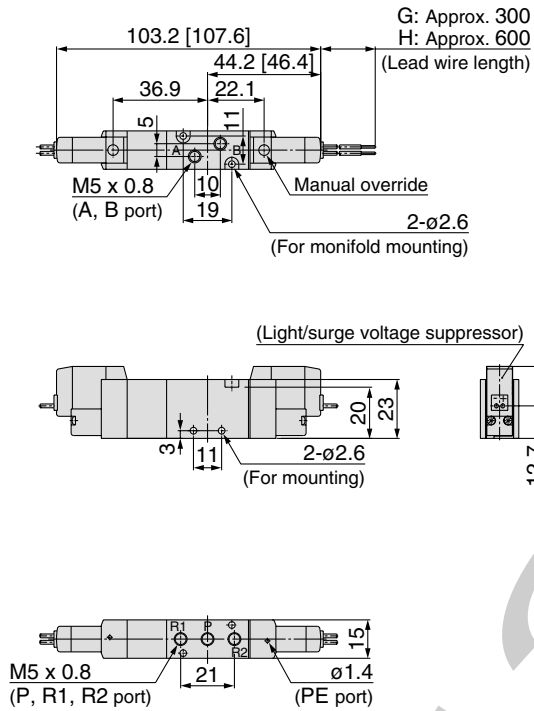
3 Position Closed Center/Exhaust Center/Pressure Center



Grommet (G), (H): SYJ5³/₅20-□^G□□-M5

Built-in one-touch fitting:

**SYJ5³/₅20-□^G□□-C4, N3
C6, N7**

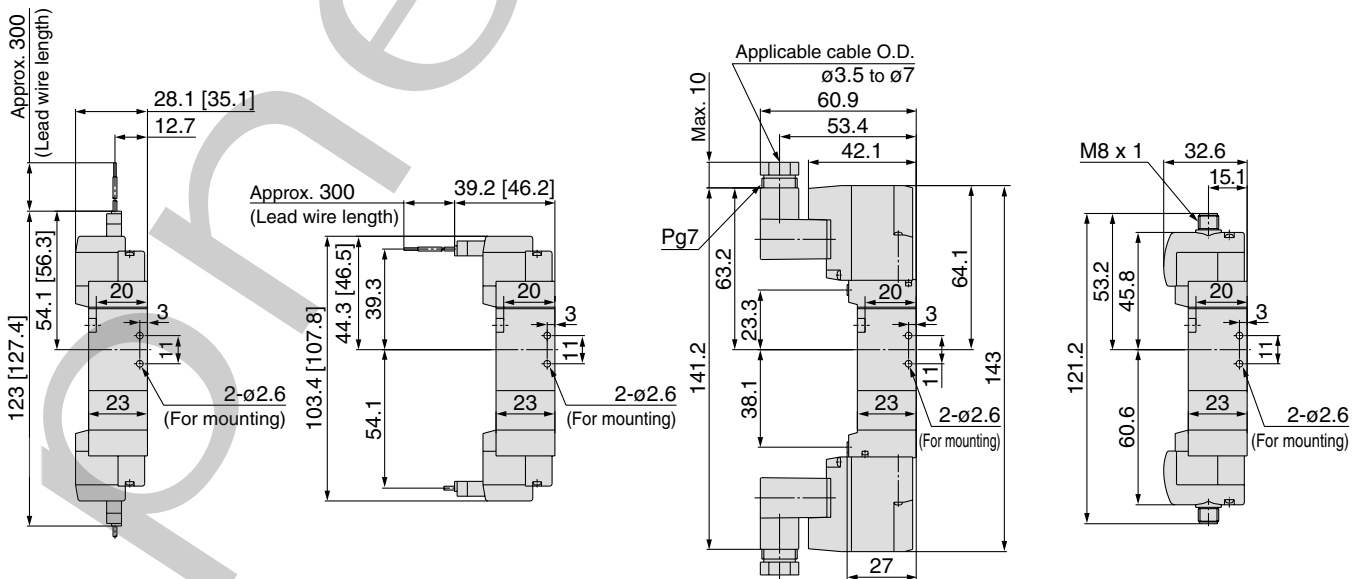


**L plug connector (L):
SYJ5³/₅20-□L□□-M5**

**M plug connector (M):
SYJ5³/₅20-□M□□-M5**

**DIN terminal (D):
SYJ5³/₅20-□D□□-M5**

**M8 connector (W0):
SYJ5³/₅20-□W0□□-M5**



Refer to the page 91 for dimensions with connector cable.

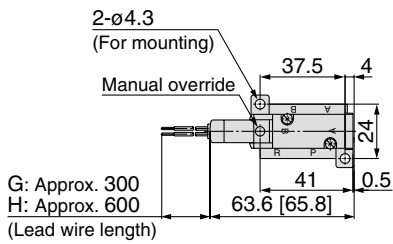
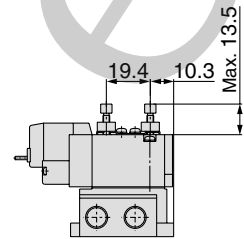
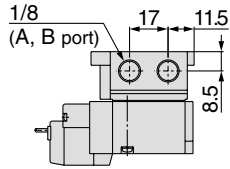
Series SYJ5000

2 Position Single

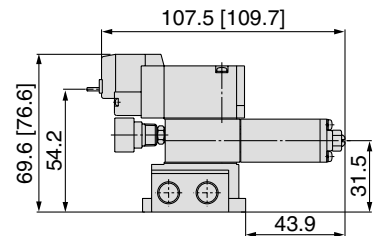


Grommet (G), (H): SYJ5140-□^G□□-01□

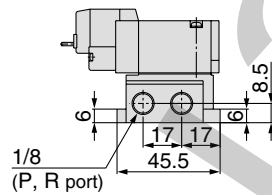
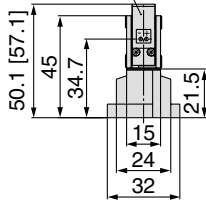
Built-in speed controller:
SYJ5150-□^G□□-01□



With interface regulator



(Light/surge voltage suppressor)

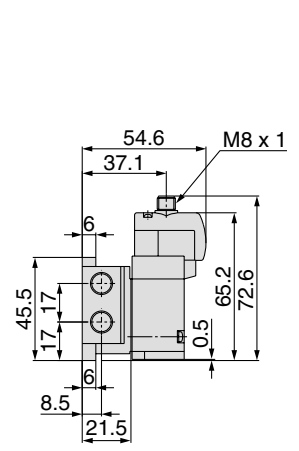
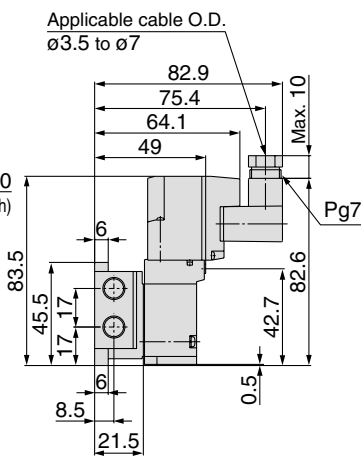
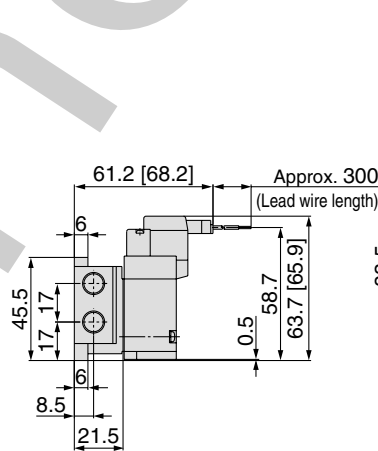
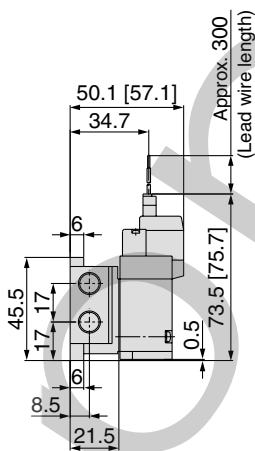


L plug connector (L):
SYJ5140-□L□□-01□

M plug connector (M):
SYJ5140-□M□□-01□

DIN terminal (D):
SYJ5140-□D□□-01□

M8 connector (W0):
SYJ5140-□W0□□-01□



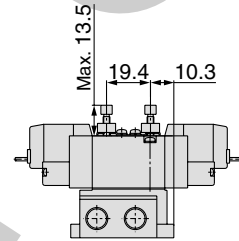
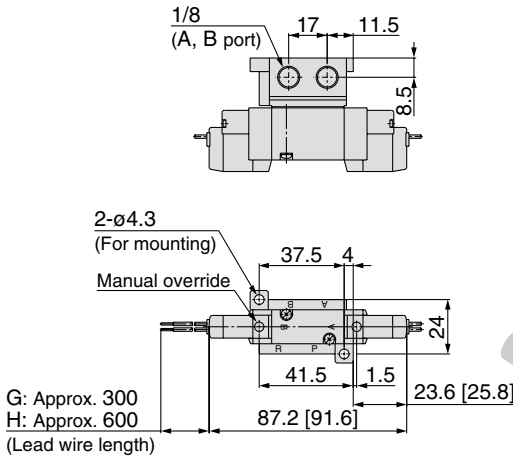
Refer to the page 91 for dimensions with connector cable.

2 Position Double

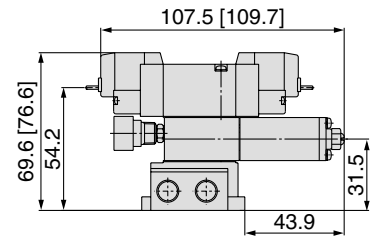


Grommet (G), (H): SYJ5240-□^G□□-01□

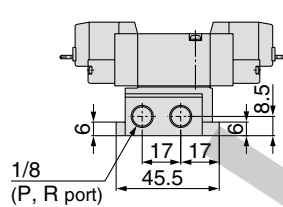
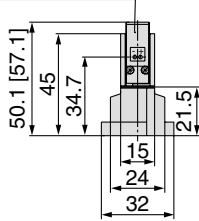
Built-in speed controller:
SYJ5250-□^G□□-01□



With interface regulator



(Light/surge voltage suppressor)

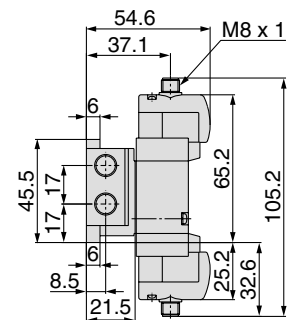
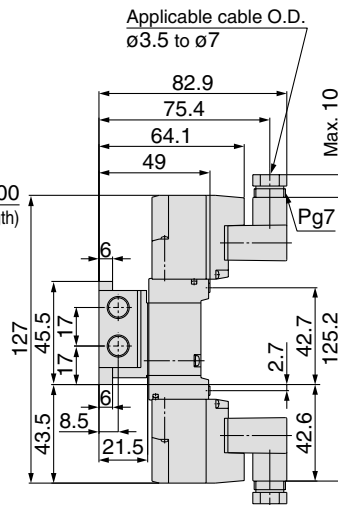
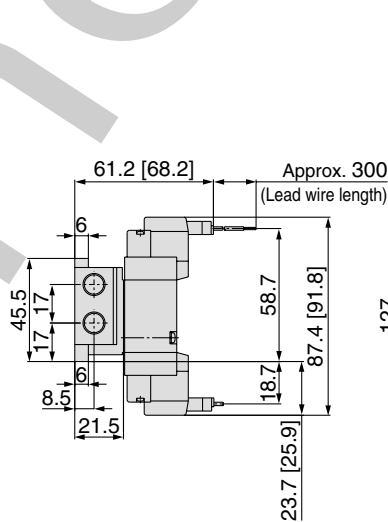
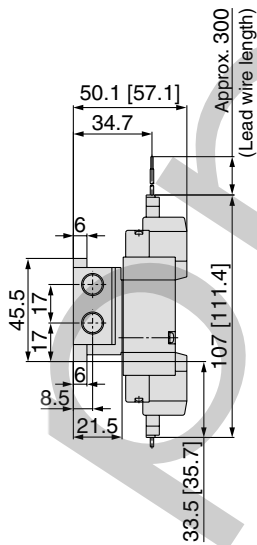


L plug connector (L):
SYJ5240-□L□□-01□

M plug connector (M):
SYJ5240-□M□□-01□

DIN terminal (D):
SYJ5240-□D□□-01□

M8 connector (W0):
SYJ5240-□W0□□-01□



Refer to the page 91 for dimensions with connector cable.

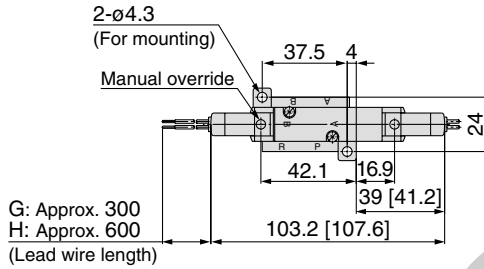
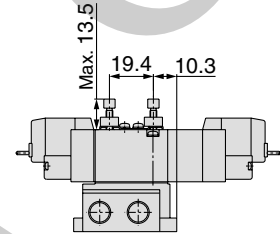
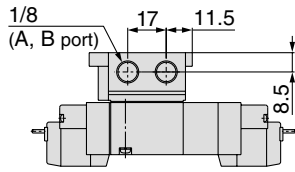
Series SYJ5000

3 Position Closed Center/Exhaust Center/Pressure Center

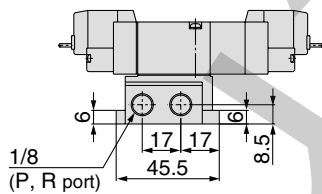
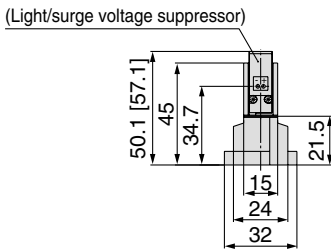
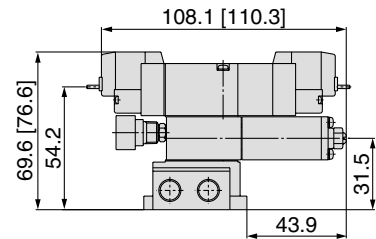


Grommet (G), (H): SYJ5³/₄40-□^G□□-01□

Built-in speed controller:
SYJ5³/₅50-□^G□□-01□



With interface regulator

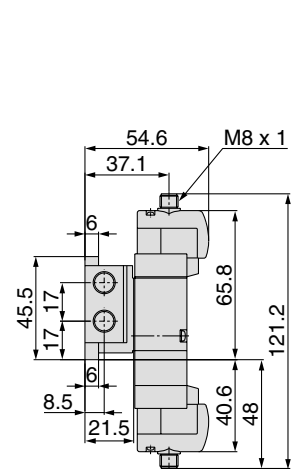
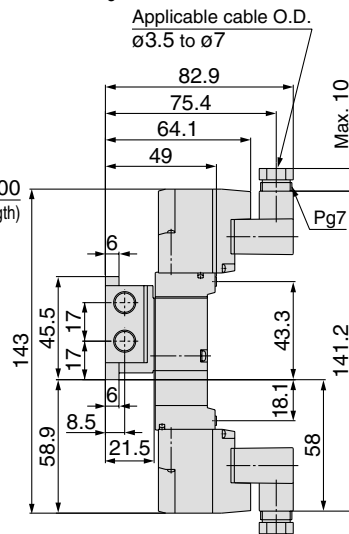
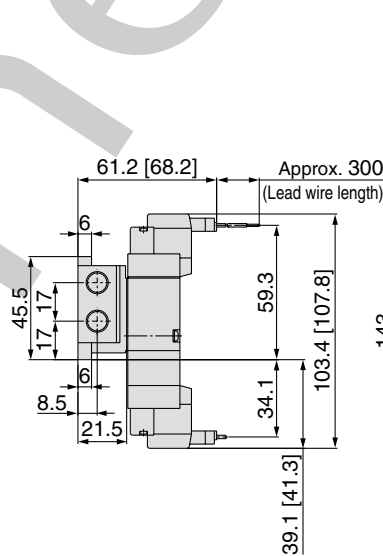
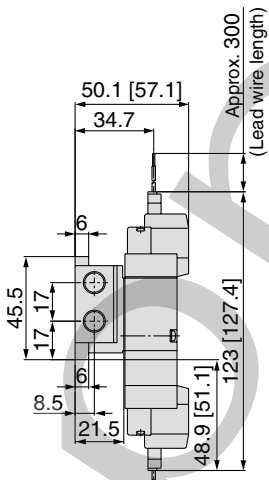


L plug connector (L):
SYJ5³/₄40-□^L□□-01□

M plug connector (M):
SYJ5³/₄40-□^M□□-01□

DIN terminal (D):
SYJ5³/₄40-□^D□□-01□

M8 connector (W0):
SYJ5³/₄40-□^{W0}□□-01□

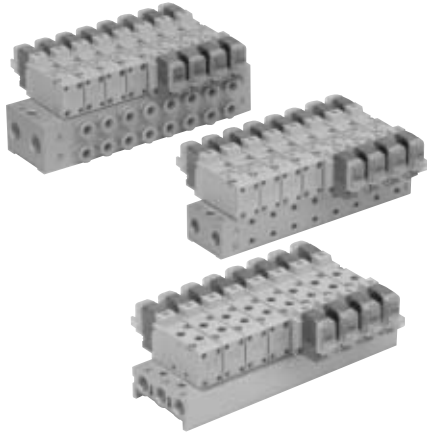


Refer to the page 91 for dimensions with connector cable.

Series SYJ5000

Manifold Specifications

Manifold Standard



Manifold Specifications

Model		Type 20	Type 40	Type 41	Type 42	Type 43
Manifold type		Single base/B mount				
P (SUP), R (EXH)		Common SUP, Common EXH				
Valve stations		2 to 20 stations				
A, B port Porting specifications	Location	Valve	Base	Base		
	Direction	Top	Bottom	Side		
Port size	P, R port	1/8			1/4	1/8
	A, B port	M5 x 0.8, C4 (One-touch fitting for ø4) C6 (One-touch fitting for ø6)	M5 x 0.8		1/8, C6 (One-touch fitting for ø6)	C4 (One-touch fitting for ø4)

Flow Characteristics

Manifold			Port size		Flow characteristics					
					1→4/2 (P→A/B)			4/2→5/3 (A/B→R)		
			1(P), 5/3(R) Port	2(B), 4(A) Port	C [dm ³ /(s·bar)]	b	Cv	C [dm ³ /(s·bar)]	b	Cv
Body ported for internal pilot	Type SS5YJ5-20	SYJ5□2□	1/8	M5 x 0.8	0.46	0.39	0.12	0.75	0.32	0.19
			1/8	C4	0.62	0.33	0.16	0.83	0.27	0.20
			1/8	C6	0.79	0.36	0.21	0.91	0.36	0.24
Base mounted for internal pilot	Type SS5YJ5-40	SYJ5□4□	1/8	M5 x 0.8	0.55	0.35	0.15	0.64	0.26	0.16
	Type SS5YJ5-41		1/8	M5 x 0.8	0.59	0.35	0.16	0.68	0.23	0.17
	Type SS5YJ5-42-01		1/4	1/8	0.74	0.22	0.18	0.82	0.31	0.21
	Type SS5YJ5-42-C6		1/4	C6	0.71	0.24	0.17	0.8	0.29	0.20
	Type SS5YJ5-43		1/8	C4	0.55	0.29	0.14	0.74	0.32	0.19

Note) Value at manifold base mounted, 2 position single operating

How to Order Manifold (Example)

Instruct by specifying the valves and blanking plate assembly to be mounted on the manifold along with the manifold base model no.

Example: **SS5YJ5-20-03** 1 pc. (Manifold base)
 * **SYJ5120-5G-M5** 2 pcs. (Valve)
 * **SYJ5000-21-1A** 1 pc. (Blanking plate assembly)

SS5YJ5-43-03-C4 1 pc. (Manifold base)
 * **SYJ5140-5LZ** 1 pc. (Valve)
 * **SYJ5240-5LZ** 1 pc. (Valve)
 * **SYJ5000-21-1A** 1 pc. (Blanking plate assembly)

↳ The asterisk denotes the symbol for assembly. Prefix it to the part nos. of the solenoid valve, etc.

* Use manifold specification sheet.

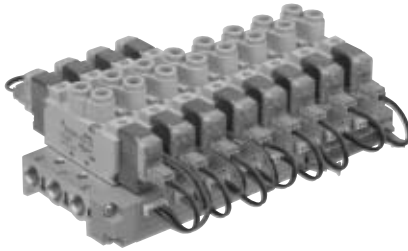
Series SYJ5000

Flat Ribbon Cable Manifold

• Multiple valve wiring is simplified through the use of the flat cable connector.

• **Clean appearance**

In the case of a flat ribbon cable type, each valve is wired on the print board of manifold base to allow the external wiring to be piped all together with 26 pins MIL connector.



Flat Ribbon Cable Manifold Specifications

Model	Type 20	Type 41P	Type 43P
Manifold type	Single base/B mount		
P (SUP), R (EXH)	Common SUP, Common EXH		
Valve stations	3 to 12 stations		
A, B port	Location	Valve	Base
Porting specifications	Direction	Top	Side
	P, R port	1/8	
Port size	A, B port	M5 x 0.8, C4 (One-touch fitting for ø4) C6 (One-touch fitting for ø6)	M5 x 0.8 C4 (One-touch fitting for ø4)
		Socket: 26 pins MIL type with strain relief (MIL-C-83503)	
Applicable flat ribbon cable connector	In common between +COM and -COM (Z type: +COM only).		
Rated voltage	24, 12 VDC/100, 110 VAC		

Note) The withstand voltage specification for the wiring unit section conforms to JIS C 0704, Grade 1 or its equivalent.

Flow Characteristics

Manifold	Port size	Flow characteristics							
		1→4/2 (P→A/B)			4/2→5/3 (A/B→R)				
		C [dm³/(s·bar)]	b	Cv	C [dm³/(s·bar)]	b	Cv		
Body ported for internal pilot	Type SS5YJ5-20P	1/8	M5 x 0.8	0.46	0.39	0.12	0.75	0.32	0.19
	SYJ5□23	1/8	C4	0.62	0.33	0.16	0.83	0.27	0.20
		1/8	C6	0.79	0.36	0.21	0.91	0.36	0.24
Base mounted for internal pilot	Type SS5YJ5-41P	1/8	M5 x 0.8	0.59	0.35	0.16	0.68	0.23	0.17
	SYJ5□43	1/8	C4	0.55	0.29	0.14	0.74	0.32	0.19
		1/8	C4	0.55	0.29	0.14	0.74	0.32	0.19

Note) Value at manifold base mounted, 2 position single operating

How to Order Manifold (Example)

Instruct by specifying the valves and blanking plate assembly to be mounted on the manifold along with the manifold base model no.

Example: **SS5YJ5-41P-07-C4** 1 pc. (Manifold base)
 * **SYJ5143-5LOU** 3 pcs. (Valve)
 * **SYJ5243-5LOU** 3 pcs. (Valve)
 * **SYJ5000-21-3A** 1 pc. (Blanking plate assembly)
 * **SY3000-37-28A** 3 pcs. (Connector assembly)
 * **SY3000-37-29A** 3 pcs. (Connector assembly)

↳ The asterisk denotes the symbol for assembly. Prefix it to the part nos. of the solenoid valve, etc.

* Use manifold specification sheet.

How to Order Valve

Rated voltage

5	24 VDC
6	12 VDC

Light/surge voltage suppressor

Z	With light/surge voltage suppressor
U	With light/surge voltage suppressor(Non-polar type)

Note) Z: Positive common specifications only.

For DC SYJ5 1 2 3 — 5 LO Z

For AC SYJ5 1 2 3 — 1 LOZ

Type of actuation

1	2 position single
2	2 position double
3	3 position closed center
4	3 position exhaust center
5	3 position pressure center

Rated voltage

1	100 VAC
3	110 VAC (115 VAC)

Manual override

Nil	Non-locking push type,
D	Push-turn locking slotted type,
E	Push-turn locking lever type

A, B port size

Symbol	Port size
Nil	Base mounted
M5	M5 x 0.8
C4	One-touch fitting for ø4
C6	One-touch fitting for ø6
N3	One-touch fitting for ø5/32"
N7	One-touch fitting for ø1/4"

Note) In the case of flat cable type, "U" and "Z" types are for DC specifications and "Z" type is for AC specifications. "Z" type for DC is positive common specification only. For the other combination, please contact P/A.

How to Order Connector Assembly

For 12, 24 VDC

Single solenoid	SY3000-37-28A
Double solenoid, 3 position type	SY3000-37-29A
Single solenoid, individual SUP, EXH spacer	SY3000-37-3A
Double solenoid, 3 position individual SUP/EXH spacer	SY3000-37-4A
Interface regulator for single solenoid	SY3000-37-3A
Double solenoid, 3 position interface regulator	SY3000-37-6A
3 port adaptor plate	SY3000-37-3A

For 100 VAC

Single solenoid	SY3000-37-46A
Double solenoid, 3 position type	SY3000-37-47A
Single solenoid, individual SUP, EXH spacer	SY3000-37-32A
Double solenoid, 3 position individual SUP/EXH spacer	SY3000-37-33A
Interface regulator for single solenoid	SY3000-37-15A
Double solenoid, 3 position interface regulator	SY3000-37-34A
3 port adaptor plate	SY3000-37-32A

For 100 VAC (115 VAC)

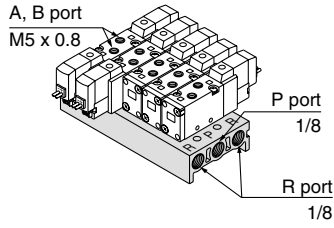
Single solenoid	SY3000-37-54A
Double solenoid, 3 position type	SY3000-37-55A
Single solenoid, individual SUP, EXH spacer	SY3000-37-35A
Double solenoid, 3 position individual SUP/EXH spacer	SY3000-37-36A
Interface regulator for single solenoid	SY3000-37-19A
Double solenoid, 3 position interface regulator	SY3000-37-37A
3 port adaptor plate	SY3000-37-35A

Common SUP/Common EXH



Note) For more than 8 stations, supply air to both sides of P port and exhaust air from both sides of R port.

Type 20 (5 Port/Body ported)



How to Order

SS5YJ5-20-05 []

Number of stations •

02	2 stations
:	:
20	20 stations

P, R port thread type

Nil	Rc
00F	G
00N	NPT
00T	NPTF

Applicable solenoid valve

SYJ5□20-□□□□-^{M5}
SYJ5□23-□□□□-^{M5}
^{C4}
^{C6}

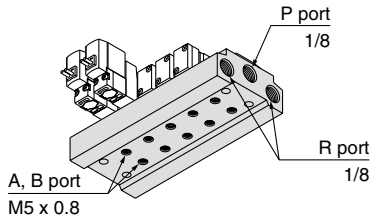
Applicable blanking plate assembly

SYJ5000-21-1A

Applicable individual EXH spacer assembly

SYJ5000-17-1A

Type 40 (5 Port/Base mounted)



How to Order

SS5YJ5-40-05-M5 []

Stations •

02	2 stations
:	:
20	20 stations

A, B port size •

M5	M5 x 0.8
----	----------

P, R port thread type

Nil	Rc
F	G
N	NPT
T	NPTF

Applicable solenoid valve

SYJ5□40-□□□□
SYJ5□43-□□□□
SYJ5□50-□□□□
SYJ5□53-□□□□

Applicable blanking plate assembly

SYJ5000-21-1A

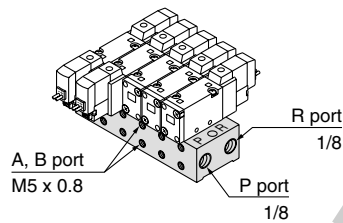
Applicable individual EXH spacer assembly

SYJ5000-17-1A

Applicable individual SUP spacer assembly

ARBYJ5000-00-P

Type 41 (5 Port/Base mounted)



How to Order

SS5YJ5-41-05-M5 []

Stations •

02	2 stations
:	:
20	20 stations

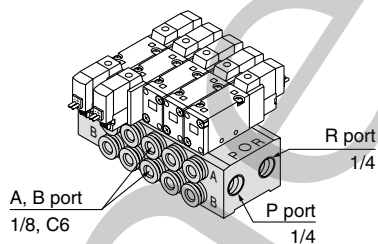
A, B port size •

M5	M5 x 0.8
----	----------

P, R port thread type

Nil	Rc
F	G
N	NPT
T	NPTF

Type 42 (5 Port/Base mounted)



How to Order

SS5YJ5-42-05-C6 []

Stations •

02	2 stations
:	:
20	20 stations

A, B port size •

01	1/8
C6	One-touch fitting for ø6
N7	One-touch fitting for ø1/4"

Thread type

Nil	Rc
F	G
N	NPT
T	NPTF

Applicable solenoid valve

SYJ5□40-□□□□
SYJ5□43-□□□□
SYJ5□50-□□□□
SYJ5□53-□□□□

Applicable blanking plate assembly

SYJ5000-21-1A

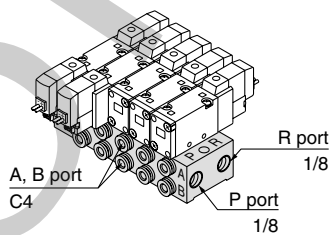
Applicable individual EXH spacer assembly

SYJ5000-17-1A

Applicable individual SUP spacer assembly

SYJ5000-16-2A

Type 43 (5 Port/Base mounted)



How to Order

SS5YJ5-43-05-C4 []

Stations •

02	2 stations
:	:
20	20 stations

A, B port size •

C4	One-touch fitting for ø4
N3	One-touch fitting for ø5/32"

P, R port thread type

Nil	Rc
F	G
N	NPT
T	NPTF

Applicable individual SUP spacer assembly

ARBYJ5000-00-P

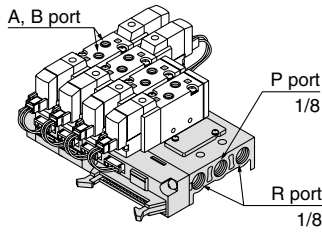
Series SYJ5000

Flat Ribbon Cable Manifold

Common SUP/Common EXH

Note) For more than 8 stations, supply air to both sides of P port and exhaust air from both sides of R port.

Type 20 (5 Port/Body ported)



How to Order

SS5YJ5-20P-05 [] []

Number of stations

03	3 stations
:	:
12	12 stations

P, R port thread type

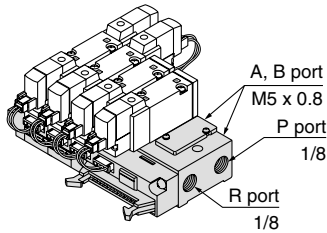
Nil	Rc
00F	G
00N	NPT
00T	NPTF

Applicable solenoid valve
Refer to page 35.

Applicable blanking plate assembly
SYJ5000-21-3A

Applicable connector assembly
Refer to page 35.

Type 41P (5 Port/Base mounted)



How to Order

SS5YJ5-41P-05-M5 [] []

Number of stations

03	3 stations
:	:
12	12 stations

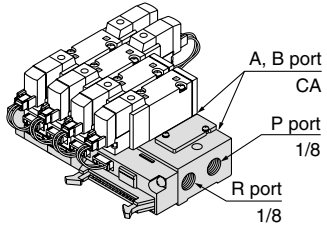
P, R port thread type

Nil	Rc
F	G
N	NPT
T	NPTF

Applicable solenoid valve
Refer to page 35.

Applicable blanking plate assembly
SYJ5000-21-3A

Type 43P (5 Port/Base mounted)



How to Order

SS5YJ5-43P-05-C4 [] []

Number of stations

03	3 stations
:	:
12	12 stations

A, B port size

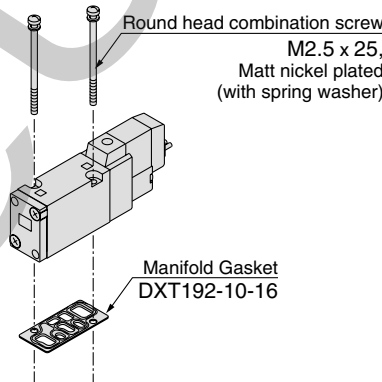
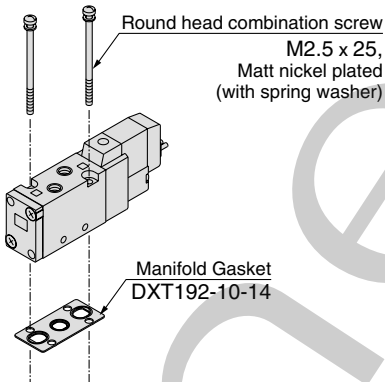
C4	One-touch fitting for ø4
N3	One-touch fitting for ø5/32"

P, R port thread type

Nil	Rc
F	G
N	NPT
T	NPTF

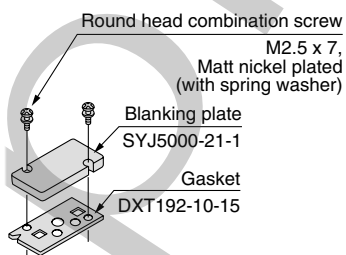
Applicable connector assembly
Refer to page 35.

Combinations of Solenoid Valve, Manifold Gasket and Manifold Base



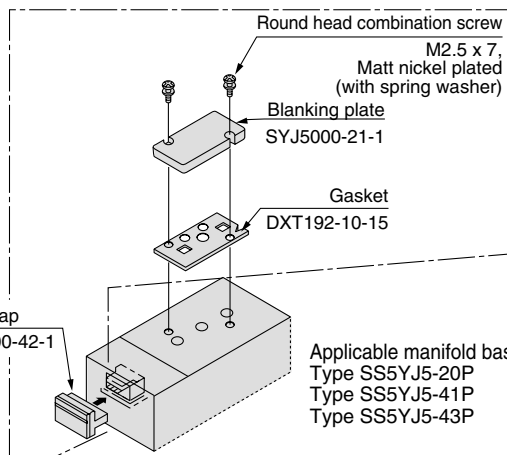
L Blanking Plate Assembly

SYJ5000-21-4A



Applicable manifold base
Type SS5YJ5-20
Type SS5YJ5-40
Type SS5YJ5-41
Type SS5YJ5-42
Type SS5YJ5-43

SYJ5000-21-3A



Applicable manifold base
Type SS5YJ5-20P
Type SS5YJ5-41P
Type SS5YJ5-43P

Caution

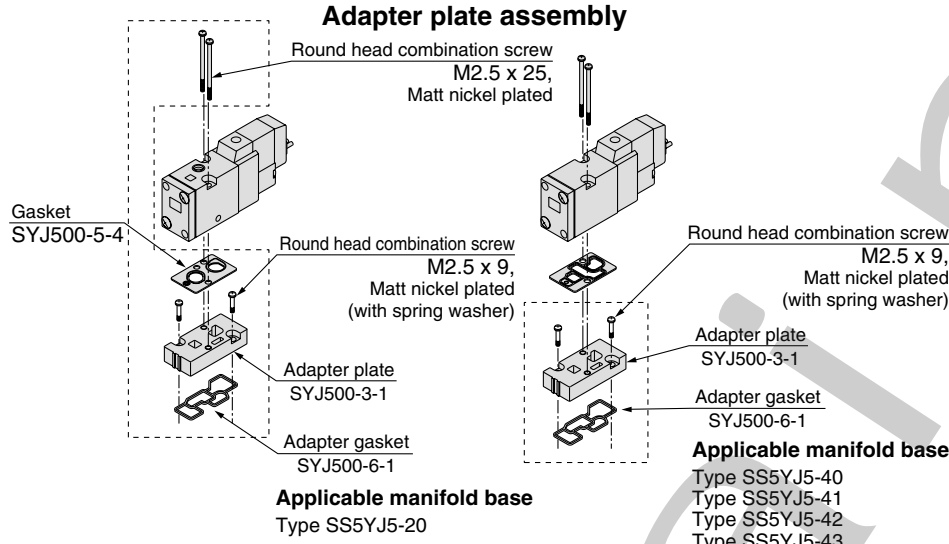
Mounting screw tightening torques

M2.5: 0.45 N·m

Use caution to the assembly orientation for solenoid valves, gasket, and optional parts.

Mix Installation of the SYJ500 and the SYJ5000 Valves on the Same Manifold

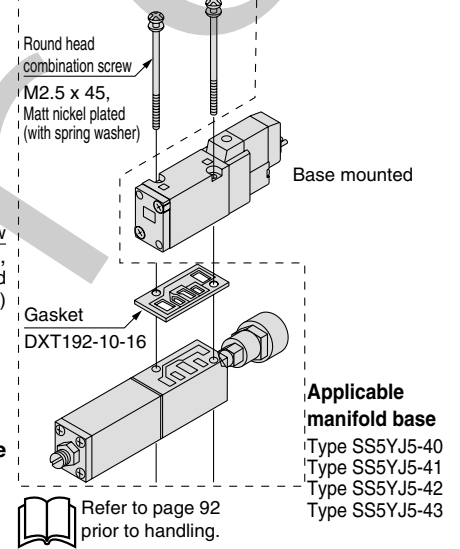
- Use of an adapter plate makes it possible to mount Series SYJ500 on the manifold bases of series SYJ5000.
- When mounting the SYJ500 valve on the SYJ5000 manifold, the SYJ500 solenoid must be positioned on the same side of the manifold as a single solenoid SYJ500. (Refer to the figure below.)
- For base mounted style, the A port of the 3 port valve flows out the B port of manifold base.



Interface Regulator (P port regulation)

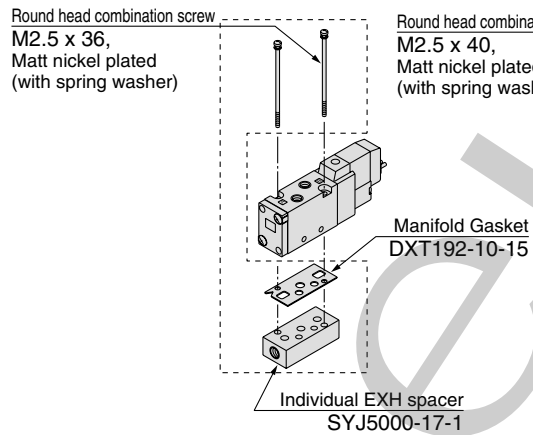
Spacer type regulating valve on manifold block can regulate the pressure to the valve individually.

ARBYJ5000-00-P



Individual EXH Spacer Assembly

SYJ5000-17-1A

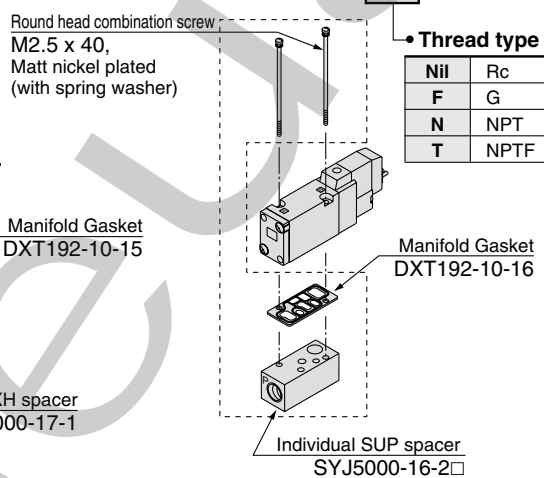


Applicable manifold base

Type SS5YJ5-20
Type SS5YJ5-40
Type SS5YJ5-41
Type SS5YJ5-42
Type SS5YJ5-43

Individual SUP Spacer Assembly

SYJ5000-16-2 A



Thread type

Nil	Rc
F	G
N	NPT
T	NPTF

Applicable manifold base

Type SS5YJ5-41
Type SS5YJ5-42
Type SS5YJ5-43

Caution

Mounting screw tightening torques

M2.5: 0.45 N·m

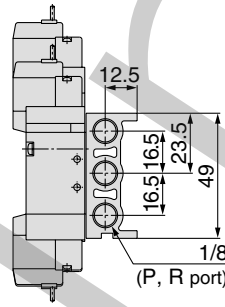
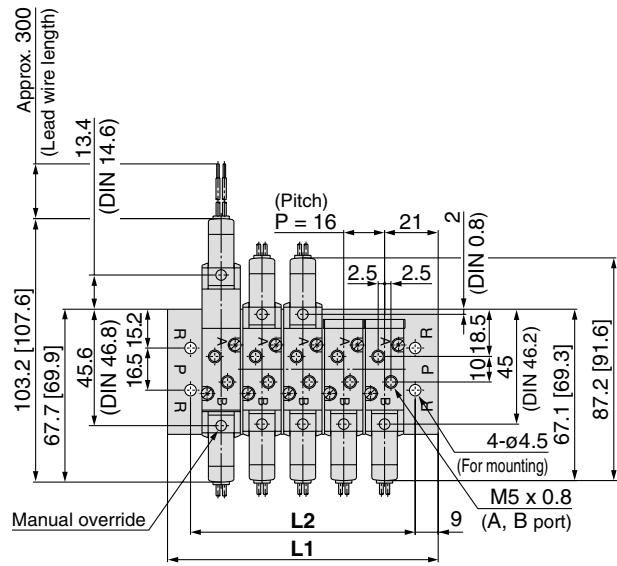
Use caution to the assembly orientation for solenoid valves, gasket, and optional parts.

Series SYJ5000

Type 20: Top Ported/SS5YJ5-20- Stations -00□

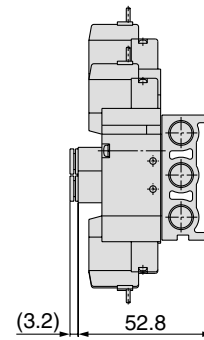
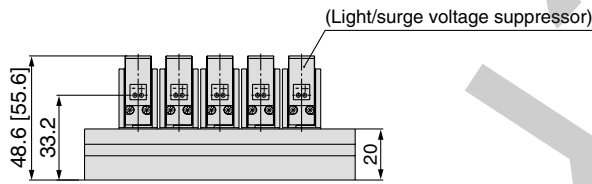


Grommet (G)



Built-in one-touch fitting

(Station n)----- (Station 1)

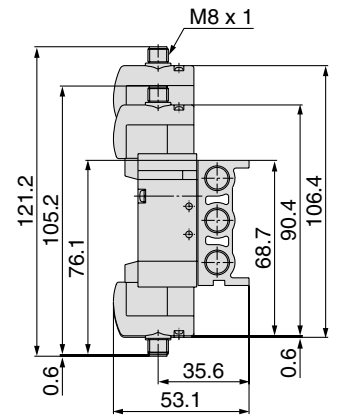
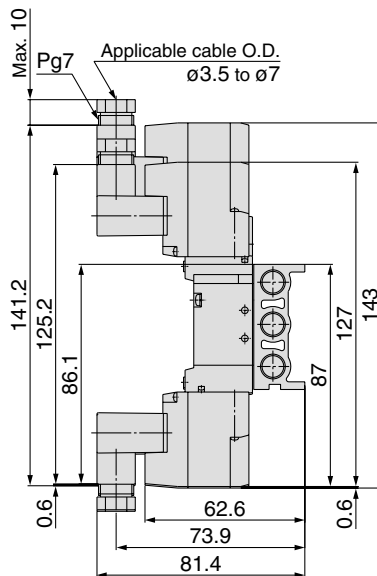
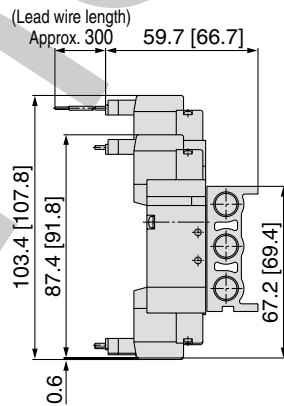
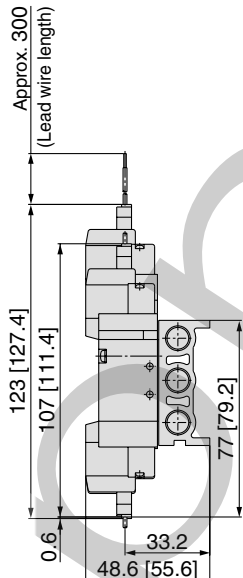


L plug connector (L)

M plug connector (M)

DIN terminal (D)

M8 connector (W0)



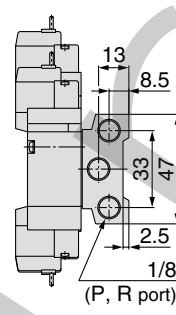
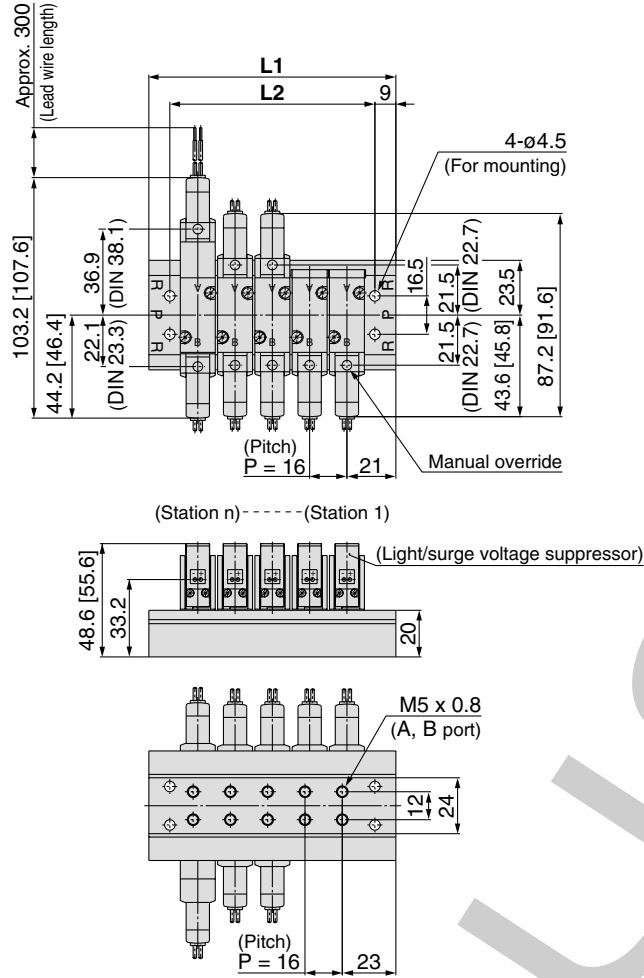
Refer to the page 91 for dimensions with connector cable.

Station n	Station 2	3	4	5	6	7	8	9	10	11	12	13	14	15	16	17	18	19	Station 20
L1	58	74	90	106	122	138	154	170	186	202	218	234	250	266	282	298	314	330	346
L2	40	56	72	88	104	120	136	152	168	184	200	216	232	248	264	280	296	312	328

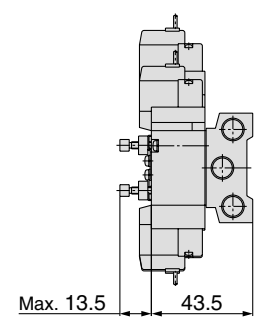
Type 40: Bottom Ported/SS5YJ5-40- Stations -M5□



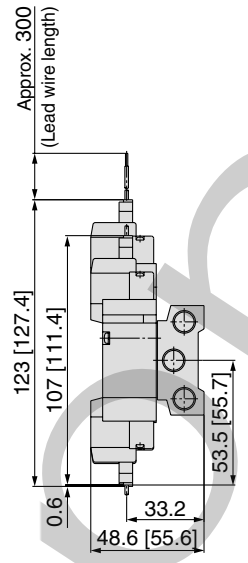
Grommet (G)



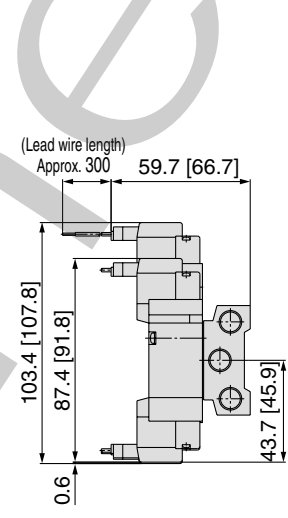
Built-in speed controller



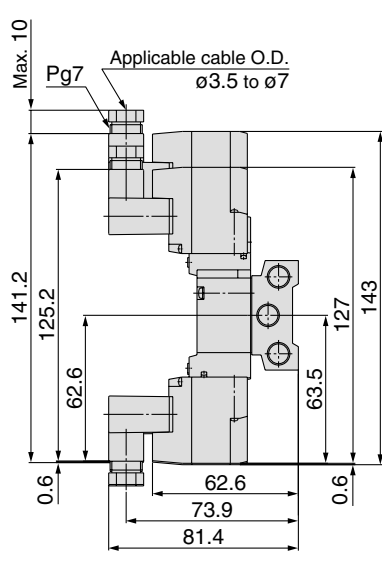
L plug connector (L)



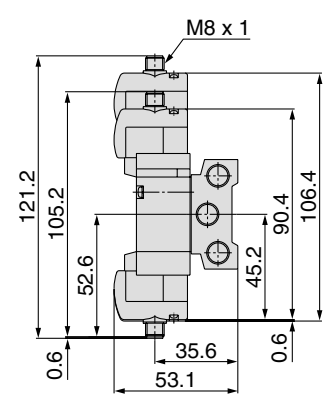
M plug connector (M)



DIN terminal (D)



M8 connector (W0)



Refer to the page 91 for dimensions with connector cable.

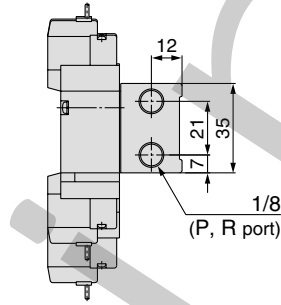
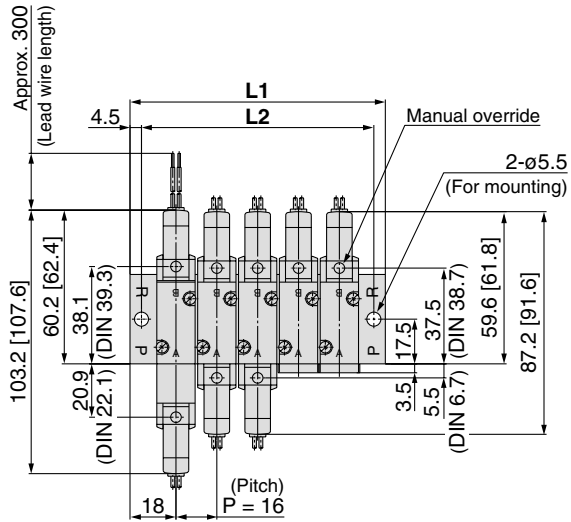
Station n	Station 2	3	4	5	6	7	8	9	10	11	12	13	14	15	16	17	18	19	Station 20
L1	58	74	90	106	122	138	154	170	186	202	218	234	250	266	282	298	314	330	346
L2	40	56	72	88	104	120	136	152	168	184	200	216	232	248	264	280	296	312	328

Series SYJ5000

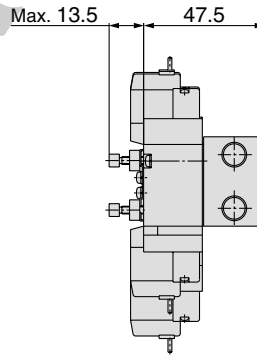
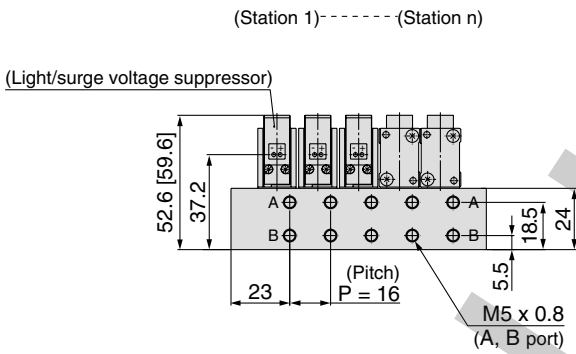
Type 41: Side Ported/SS5YJ5-41- Stations -M5



Grommet (G)



Built-in speed controller

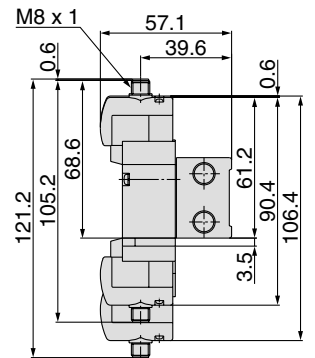
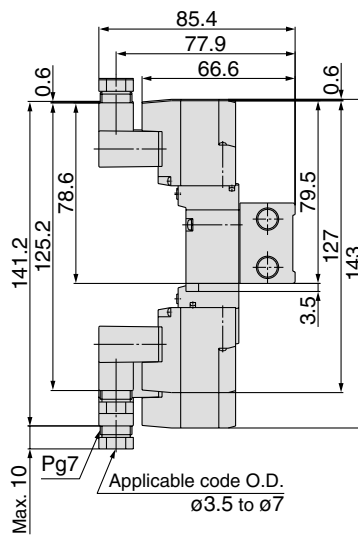
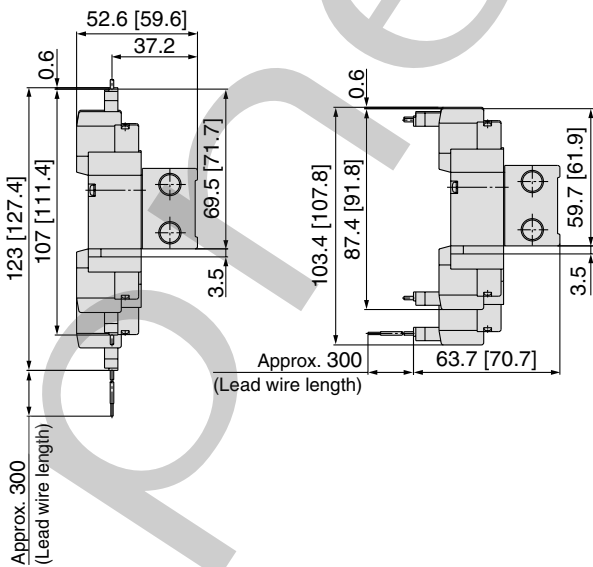


L plug connector (L)

M plug connector (M)

DIN terminal (D)

M8 connector (W0)



Refer to the page 91 for dimensions with connector cable.

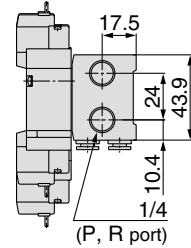
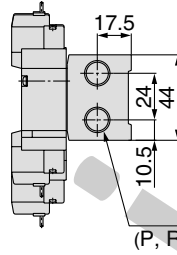
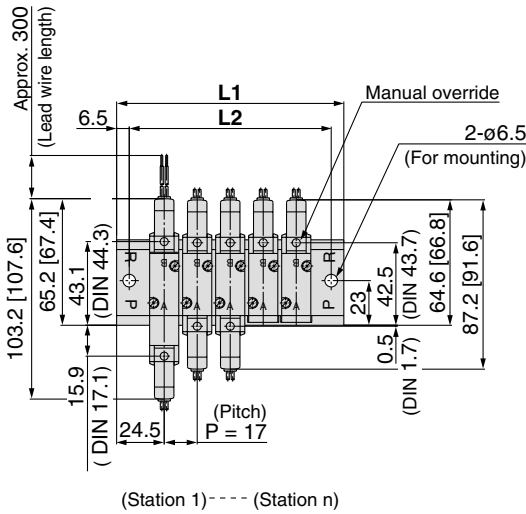
Station n	Station 2	3	4	5	6	7	8	9	10	11	12	13	14	15	16	17	18	19	Station 20
L1	52	68	84	100	116	132	148	164	180	196	212	228	244	260	276	292	308	324	340
L2	43	59	75	91	107	123	139	155	171	187	203	219	235	251	267	283	299	315	331

Type 42: Side Ported/SS5YJ5-42- Stations -01, C6 N7

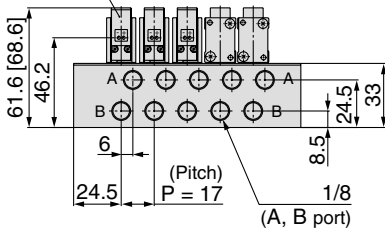


Grommet (G)
For 01

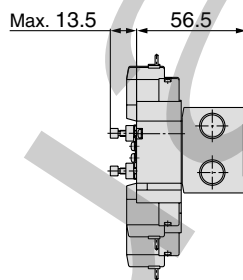
For C6 N7 (Built-in one-touch fitting)



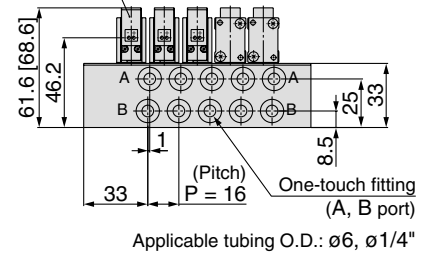
(Light/surge voltage suppressor)



Built-in speed controller



(Light/surge voltage suppressor)



Applicable tubing O.D.: ø6, ø1/4"



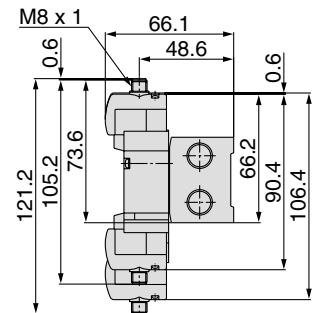
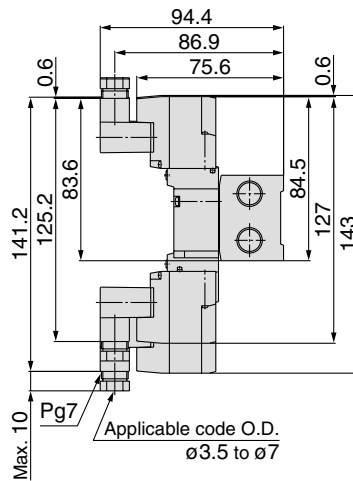
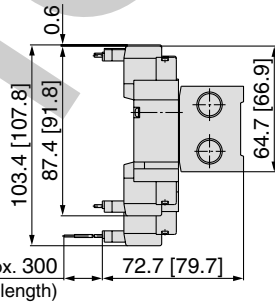
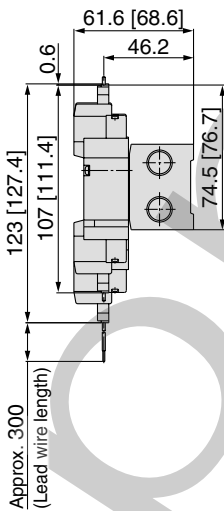
* Other dimensions are the same as the grommet type.

L plug connector (L)

M plug connector (M)

DIN terminal (D)

M8 connector (W0)



Refer to the page 91 for dimensions with connector cable.

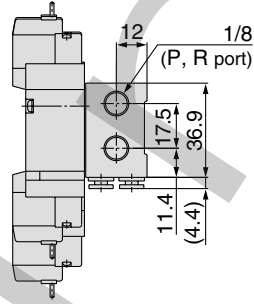
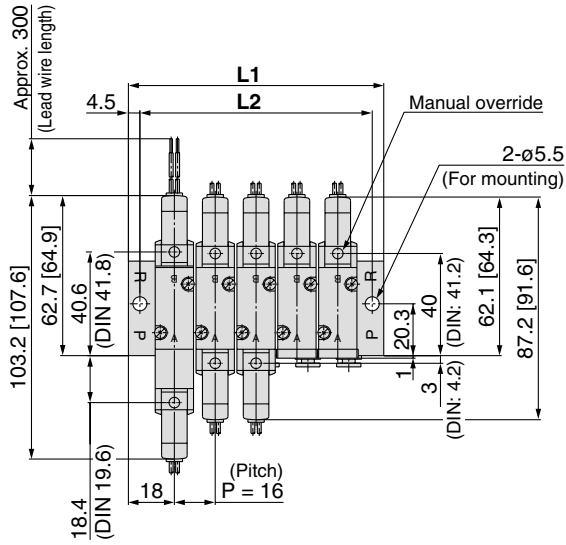
A, B port size	Station n	Station 2	3	4	5	6	7	8	9	10	11	12	13	14	15	16	17	18	19	Station 20
For 1/8	L1	66	83	100	117	134	151	168	185	202	219	236	253	270	287	304	321	338	355	372
	L2	53	70	87	104	121	138	155	172	189	206	223	240	257	274	291	308	325	342	359
For C6/N7	L1	65	81	97	113	129	145	161	177	193	209	225	241	257	273	289	305	321	337	353
	L2	52	68	84	100	116	132	148	164	180	196	212	228	244	260	276	292	308	324	340

Series SYJ5000

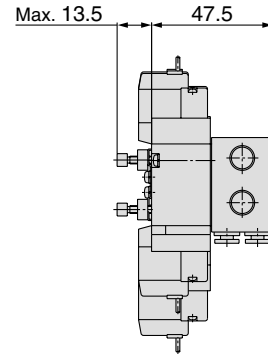
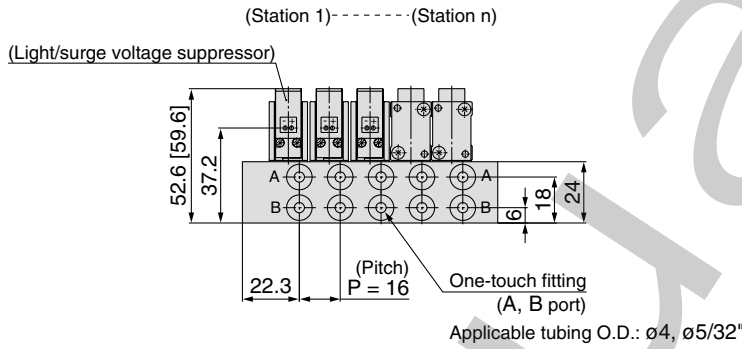
Type 43: Side Ported/SS5YJ3-43- Stations C4 N3



Grommet (G)



Built-in slotted valve

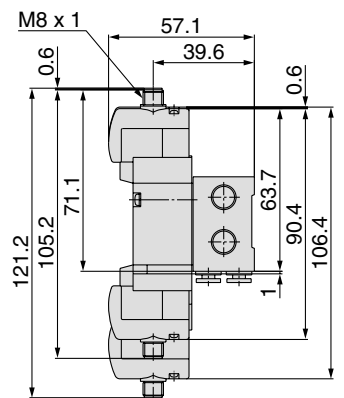
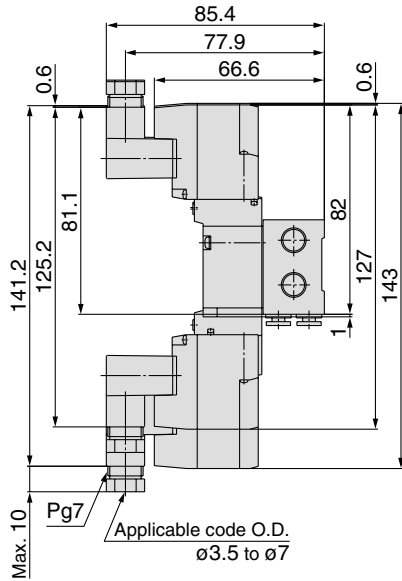
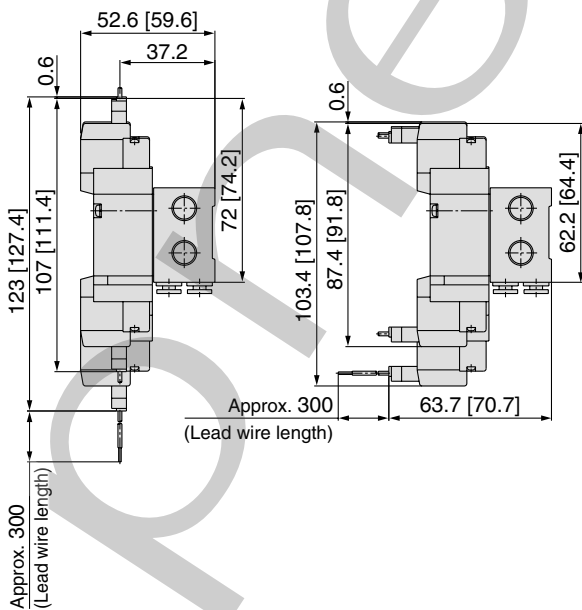


L plug connector (L)

M plug connector (M)

DIN terminal (D)

M8 connector (W0)



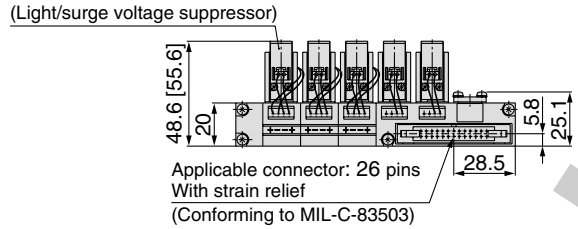
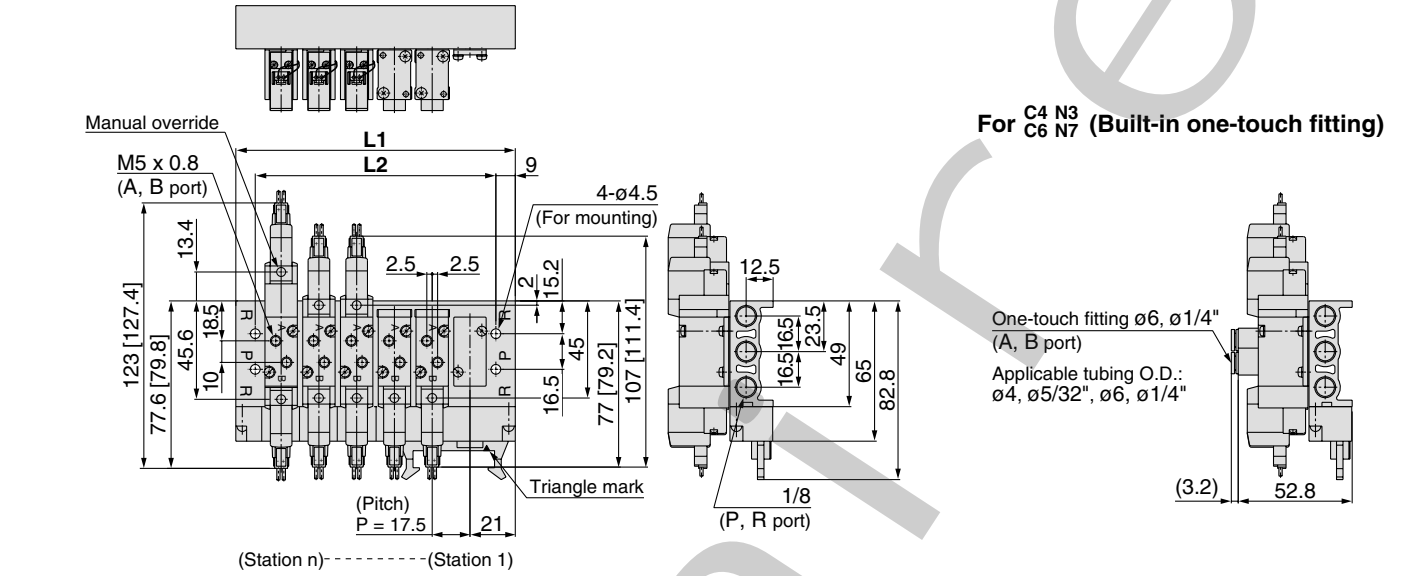
Refer to the page 91 for dimensions with connector cable.

Station n	Station 2	3	4	5	6	7	8	9	10	11	12	13	14	15	16	17	18	19	Station 20
L1	52	68	84	100	116	132	148	164	180	196	212	228	244	260	276	292	308	324	340
L2	43	59	75	91	107	123	139	155	171	187	203	219	235	251	267	283	299	315	331

Flat Ribbon Cable Manifold

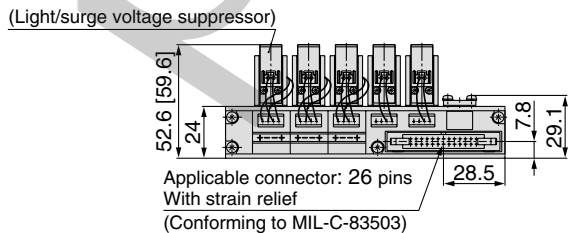
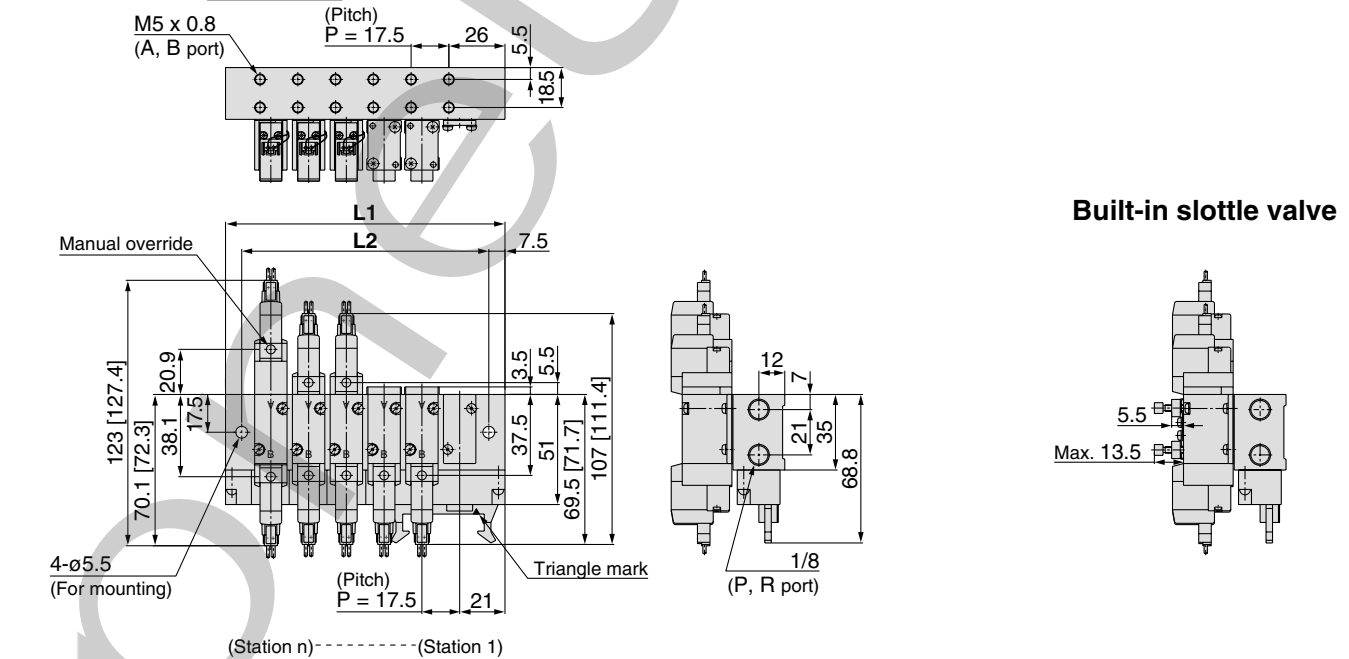


SS5YJ5-20P- Stations -00



Station n	Station 3	4	5	6	7	8	9	10	11	Station 12
L1	77	94.5	112	129.5	147	164.5	182	199.5	217	234.5
L2	59	76.5	94	111.5	129	146.5	164	181.5	199	216.5

SS5YJ5-41P- Stations -M5



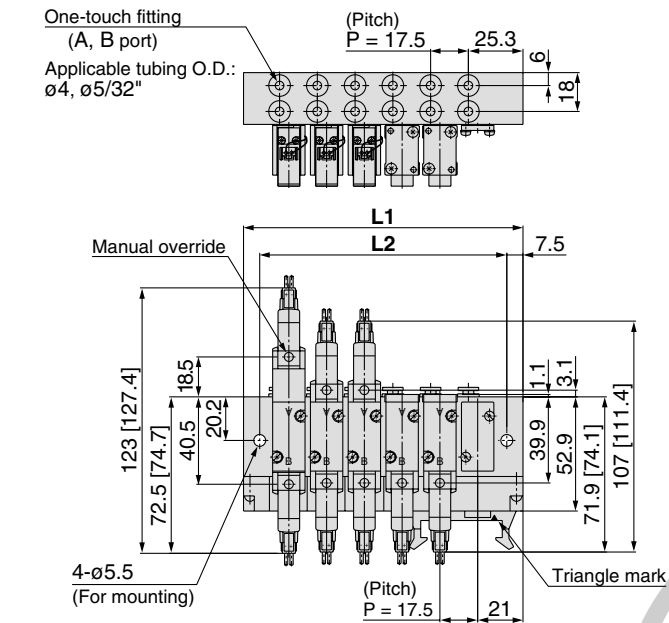
Station n	Station 3	4	5	6	7	8	9	10	11	Station 12
L1	77	94.5	112	129.5	147	164.5	182	199.5	217	234.5
L2	62	79.5	97	114.5	132	149.5	167	184.5	202	219.5

Series SYJ5000

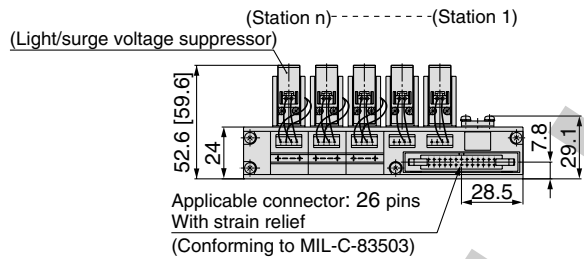
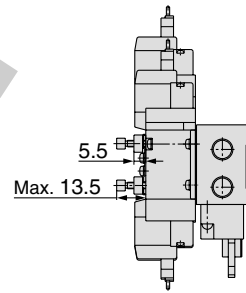
Flat Ribbon Cable Manifold



SS5YJ5-43P- Stations C4
N3



Built-in speed controller



Station n	Station 3	4	5	6	7	8	9	10	11	Station 12
L1	77	94.5	112	129.5	147	164.5	182	199.5	217	234.5
L2	62	79.5	97	114.5	132	149.5	167	184.5	202	219.5