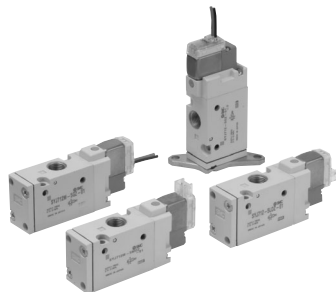


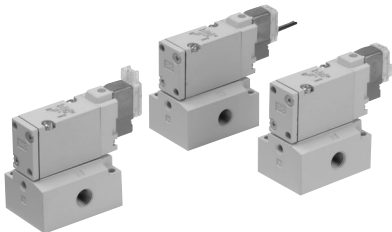
Rubber seal 3 Port Pilot Solenoid Valve Series SYJ700



Refer to www.poweraire.com for details of products compatible with overseas standards.



Body ported

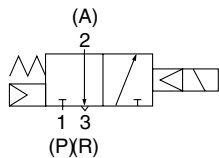


Base mounted

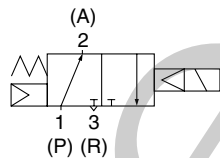
JIS Symbol

Internal pilot

SYJ71₄²

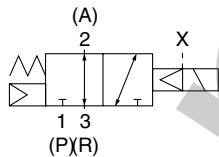


SYJ72₄²

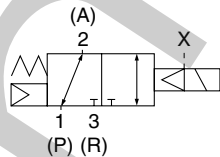


External pilot

SYJ71₄²R



SYJ72₄²R



Specifications

Fluid		Air
Operating pressure range MPa	Internal pilot	0.15 to 0.7
Ambient and fluid temperature (°C)		-10 to 50 (No freezing. Refer to page 60.)
Response time ms (at 0.5 MPa) <small>Note 1)</small>		30 or less
Max. operating frequency (Hz)		5
Manual override (Manual operation)		Non-locking push type, push-turn locking slotted type, push-turn locking lever type
Pilot exhaust method		Individual exhaust for the pilot valve, common exhaust for the pilot and main valve
Lubrication		Not required
Mounting orientation		Unrestricted
Shock/Vibration resistance (m/s²) <small>Note 2)</small>		150/30
Enclosure		Dust proof (* DIN terminal, M8 connector: IP65)



* Based on IEC529

Note 1) Based on dynamic performance test, JIS B 8374-1981. (Coil temperature: 20°C, at rated voltage, without surge voltage suppressor.)

Note 2) Impact resistance:

No malfunction occurred when it is tested with a drop tester in the axial direction and at the right angles to the main valve and armature in both energized and de-energized states every once for each condition. (Value in the initial state)

Vibration resistance:

No malfunction occurred in one sweep test between 45 and 2000 Hz. Test was performed to axis and right angle directions of the main valve and armature when pilot signal is ON and OFF. (Value in the initial state)

Solenoid Specifications

Electrical entry		Grommet (G), (H), L plug connector (L), M plug connector (M), DIN terminal (D), M8 connector (W)	
Coil rated voltage (V)	DC	24, 12, 6, 5, 3	
	AC 50/60 Hz	100, 110, 200, 220	
Allowable voltage fluctuation		±10% of rated voltage	
Power consumption (W)	DC	Standard	0.35 (With light: 0.4 (DIN terminal with light: 0.45))
		With power saving circuit	0.1 (With light only)
Apparent power (VA)	AC	100 V	1.4 (With light: 1.5)
		110 V [115 V]	1.6 (With light: 1.7) [1.7 (With light: 1.8)]
		200 V	2.3 (With light: 2.4)
		220 V [230 V]	2.5 (With light: 2.6) [2.7 (With light: 2.8)]
Surge voltage suppressor		Diode (DIN terminal, varistor when non-polar types)	
Indicator light		LED (Neon light when AC with DIN terminal)	




* In common between 110 VAC and 115 VAC, and between 220 VAC and 230 VAC.

* For 115 VAC and 230 VAC, the allowable voltage is -15% to +5% of rated voltage.

Flow Characteristics/Weight

Valve model		Type of actuation	Port size	Flow characteristics						Weight (g) ^{Note)}			
				1R2 (PRA)			2R3 (ARR)			Grommet	L/M plug connector	DIN terminal	M8 connector
				C [dm ³ /(s bar)]	b	Cv	C [dm ³ /(s bar)]	b	Cv				
Body ported	SYJ712	N.C.	1/8	2.8	0.43	0.77	2.5	0.51	0.76	75	76	97	80
	SYJ722	N.O.		2.7	0.38	0.72	2.4	0.42	0.69				
Base mounted (with sub-plate)	SYJ714	N.C.	1/8	2.9	0.32	0.71	2.7	0.34	0.69	135 (75)	136 (76)	157 (97)	140 (80)
	SYJ724	N.O.	1/8	2.8	0.21	0.70	2.3	0.45	0.63				
	SYJ714	N.C.	1/4	3.0	0.31	0.74	2.6	0.33	0.66				
	SYJ724	N.O.		2.7	0.31	0.68	2.3	0.48	0.64				

 Note) Value for DC. Add 3 g for AC. (): Without sub-plate.

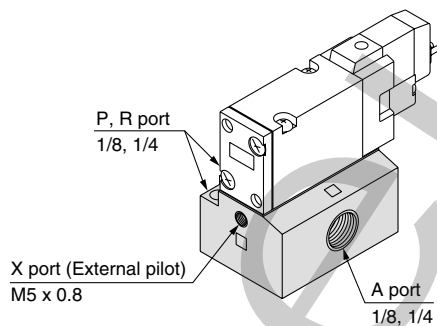
External Pilot

SYJ700R

Pilot valve pressure is supplied separately from the main valve pressure through the use of a separate supply port. It can be used in the vacuum (up to -100 kPa) or low pressure line with 0.15 MPa or less.

Specifications

Applicable model	Base mounted (SYJ714R, SYJ724R)	
Operating pressure range MPa	Main pressure	-100 kPa to 0.7
	External pilot pressure	0.15 to 0.7



Note 1) For manifold base, refer to page 39.
 Note 2) External pilot type body ported valves (SYJ7□2R) can only be used on the manifold. For body ported models with the external pilot option, please refer to page 58.

How to Order

Rated voltage

DC

5	24 VDC
6	12 VDC
V	6 VDC
S	5 VDC
R	3 VDC

* DC specifications of type D and DO is only available with 12 and 24 VDC.

AC (50/60 Hz)

1	100 VAC
2	200 VAC
3	110 VAC [115 VAC]
4	220 VAC [230 VAC]

* For type W□, DC voltage is only available.

Type of actuation

1	Normally closed
2	Normally open

Light/surge voltage suppressor

Electrical entry for G, H, L, M and W

Nil	Without light/surge voltage suppressor
S	With surge voltage suppressor
Z	With light/surge voltage suppressor
R	With surge voltage suppressor (Non-polar type)
U	With light/surge voltage suppressor (Non-polar type)

* For AC voltage valves there is no "S" option. It is already built-in to the rectifier circuit.
* For type "R" and "U", DC voltage is only available.
* Power saving circuit is only available in the "Z" type.

Electrical entry for D

Nil	Without light/surge voltage suppressor
S	With surge voltage suppressor (Non-polar type)
Z	With light/surge voltage suppressor (Non-polar type)

* DOZ is not available.
* For AC voltage valves there is no "S" option. It is already built-in to the rectifier circuit.

Thread type

Nil	Rc
F	G
N	NPT
T	NPTF

Bracket

Nil: Without bracket
F: With bracket

* Bracket is mounted.
* External pilot type is not available.

Coil specifications

Nil	Standard
T	With power saving circuit (24, 12 VDC only)

* Power saving circuit is not available in the case of D, DO, W□ type.

Manual override

Nil: Non-locking push type
D: Push-turn locking slotted type
E: Push-turn locking lever type

Thread type

Nil	Rc
F	G
N	NPT
T	NPTF

Port size

Nil: Without sub-plate 01: 1/8 port With sub-plate 02: 1/4 port With sub-plate

(With gasket and screws)

Body option

Nil: Individual pilot exhaust style

R port P, E port

M: Common exhaust for the pilot and main valve

R port P, E port

R: External pilot style*

Electrical entry

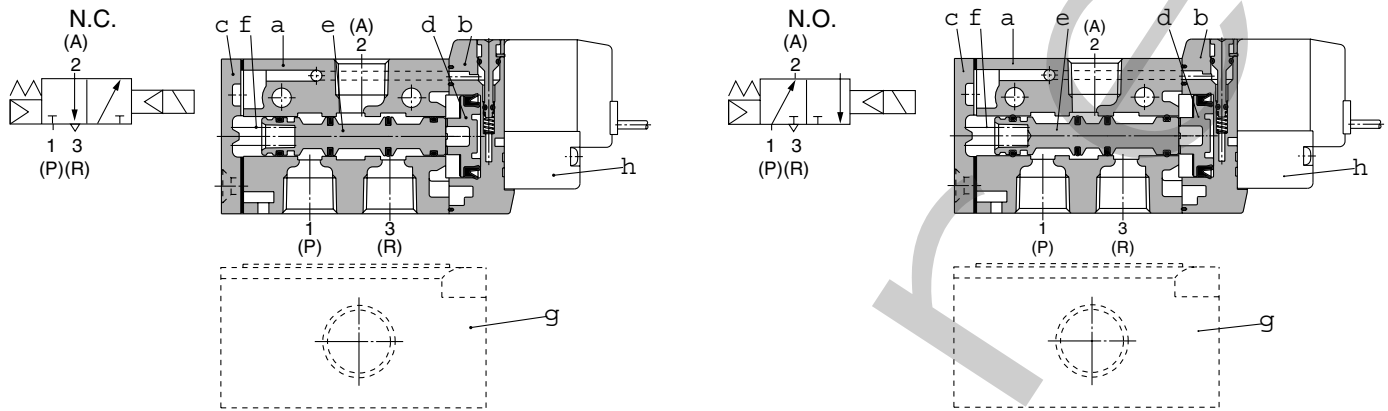
24, 12, 6, 5, 3 VDC/100, 110, 200, 220 VAC				24, 12 VDC/100, 110, 200, 220 VAC	24, 12, 6, 5, 3 VDC
Grommet	L plug connector	M plug connector	MN: Without lead wire	DIN terminal	M8 connector
G: Lead wire length 300 mm	L: With lead wire (Length 300 mm)	M: With lead wire (Length 300 mm)	MN: Without lead wire	D: With connector	W0: Without connector cable
H: Lead wire length 600 mm	LN: Without lead wire	LO: Without connector	MO: Without connector	DO: Without connector	

* SYJ□2R is only for manifold use.

Note) When placing an order for body ported solenoid valve as a single unit, mounting bolt for manifold and gasket are not attached. Order them separately, if necessary. (For details, refer to catalog on page 40.)

* LN, MN type: with 2 sockets.
* DIN terminal "Type Y" conforming to DIN43650C standard is also available. For details, refer to catalog on page 57.
* For connector cable of M8 connector

Construction



Component parts

No.	Description	Material	Note
1	Body	Aluminum die-casted	White
2	Piston plate	Resin	White
3	End cover	Aluminum die-casted	White
4	Piston	Resin	—
5	Spool valve assembly	—	—
6	Spool spring	Stainless steel	—

Replacement parts

No.	Description	No.	Note
7	Sub-plate	SYJ700-9-1	1/8
		SYJ700-9-2	1/4
8	Pilot valve	V111(T)-□□□□	Aluminum die-casted

How to Order Pilot Valve Assembly

How to Order Connector Assembly for L and M Plug Connector

V111 □ — 5 G □

Coil specifications

Nil	Standard: DC specifications
A	Standard: AC specifications
T	With power saving circuit (24, 12 VDC only)

* Power saving circuit is not available in the case of W□ type.

Light/surge voltage suppressor

Nil	Without light/surge voltage suppressor
S	With surge voltage suppressor
Z	With light/surge voltage suppressor
R	With surge voltage suppressor (Non-polar type)
U	With light/surge voltage suppressor (Non-polar type)

* For AC voltage valves there is no "S" option. It is already built-in to the rectifier circuit.
* For "R" and "U", DC voltage is only available.
* Power saving circuit is only available in the "Z" type.

Rated voltage

5	24 VDC
6	12 VDC
V	6 VDC
S	5 VDC
R	3 VDC
1	100 VAC 50/60 Hz
2	200 VAC 50/60 Hz
3	110 VAC 50/60 Hz [115 VAC 50/60 Hz]
4	220 VAC 50/60 Hz [230 VAC 50/60 Hz]

* For type W□, DC voltage is only available.

Electrical entry

G	Grommet, 300 mm lead wire
H	Grommet, 600 mm lead wire
L	L plug connector
LN	L plug connector
LO	L plug connector
M	M plug connector
MN	M plug connector
MO	M plug connector
W0	M8 connector

* For connector cable of M8 connector, refer to page 67.

For DC: SY100-30-4A-□

For 100 VAC: SY100-30-1A-□

For 200 VAC: SY100-30-2A-□

For other voltages of AC: SY100-30-3A-□

Without lead wire: SY100-30-A
(with connector and 2 of sockets only)

Lead wire length

Nil	300 mm
6	600 mm
10	1000 mm
15	1500 mm
20	2000 mm
25	2500 mm
30	3000 mm
50	5000 mm

V115 — 5 D □

Rated voltage

5	24 VDC
6	12 VDC
1	100 VAC 50/60 Hz
2	200 VAC 50/60 Hz
3	110 VAC 50/60 Hz [115 VAC 50/60 Hz]
4	220 VAC 50/60 Hz [230 VAC 50/60 Hz]

* DC specifications of type D and DO is only available with 12 and 24 VDC.
* Power saving circuit is not available in the case of D or DO type.

Light/surge voltage suppressor

Nil	Without light/surge voltage suppressor
S	With surge voltage suppressor (Non-polar type)
Z	With light/surge voltage suppressor (Non-polar type)

* DOZ is not available.
* For AC voltage valves there is no "S" option. It is already built-in to the rectifier circuit.

Electrical entry

D	DIN terminal
DO	DIN terminal

* Do not replace V111 (G, H, L, M, W) to V115 (DIN terminal) and vice versa when replacing pilot valve assembly only.

How to Order M8 Connector Cable

V100-49-1-□

Cable length

1	300 mm
2	500 mm
3	1000 mm
4	2000 mm
7	5000 mm

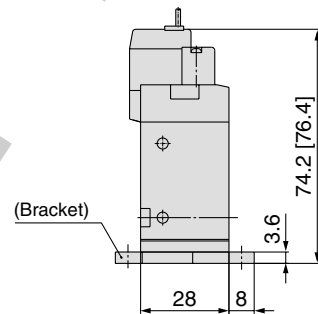
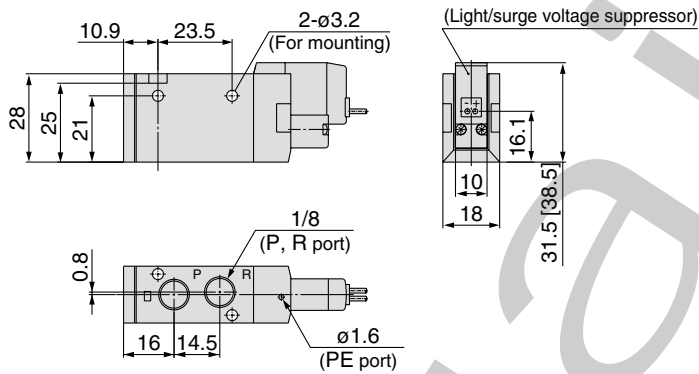
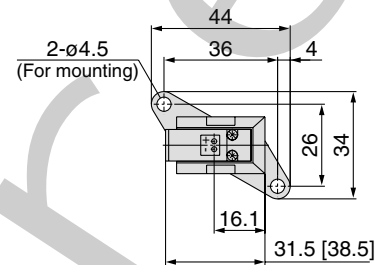
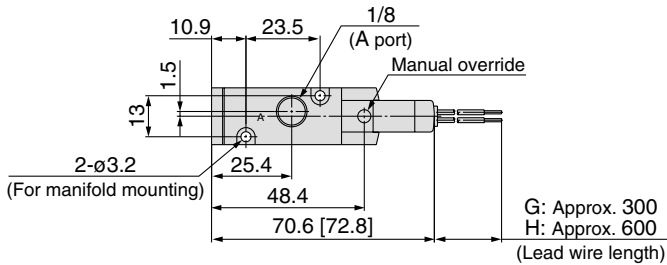
Series SYJ700

Body Ported



Grommet (G), (H): SYJ7□2-□^G□□-01□

With bracket:
SYJ7□2-□^G□□-01□-F

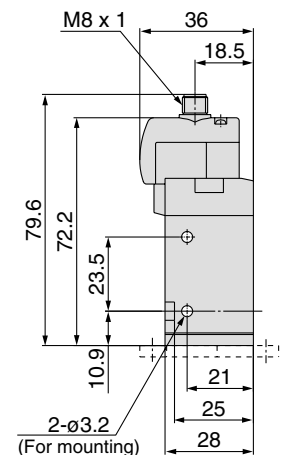
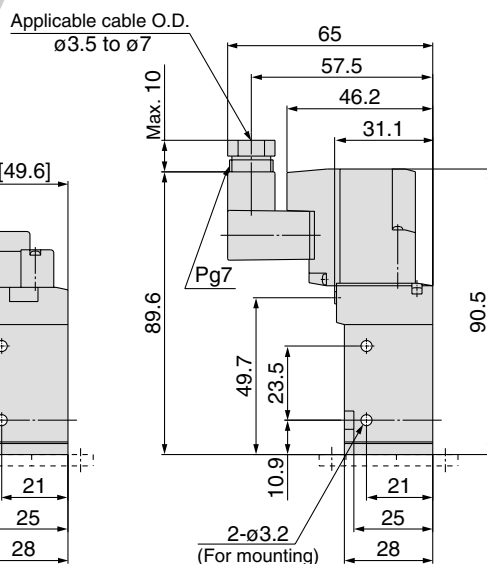
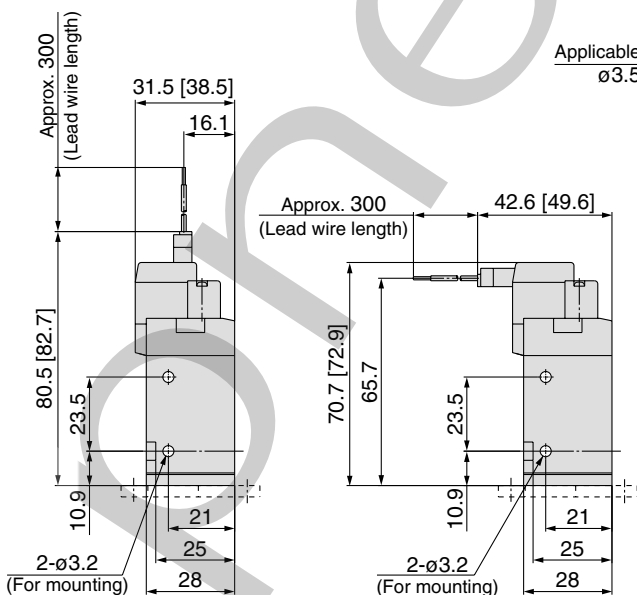


L plug connector (L):
SYJ7□2-□L□□-01□ (-F)

M plug connector (M):
SYJ7□2-□M□□-01□ (-F)

DIN terminal (D):
SYJ7□2-□D□□-01□ (-F)

M8 connector (M0):
SYJ7□2-□W0□□-01□ (-F)

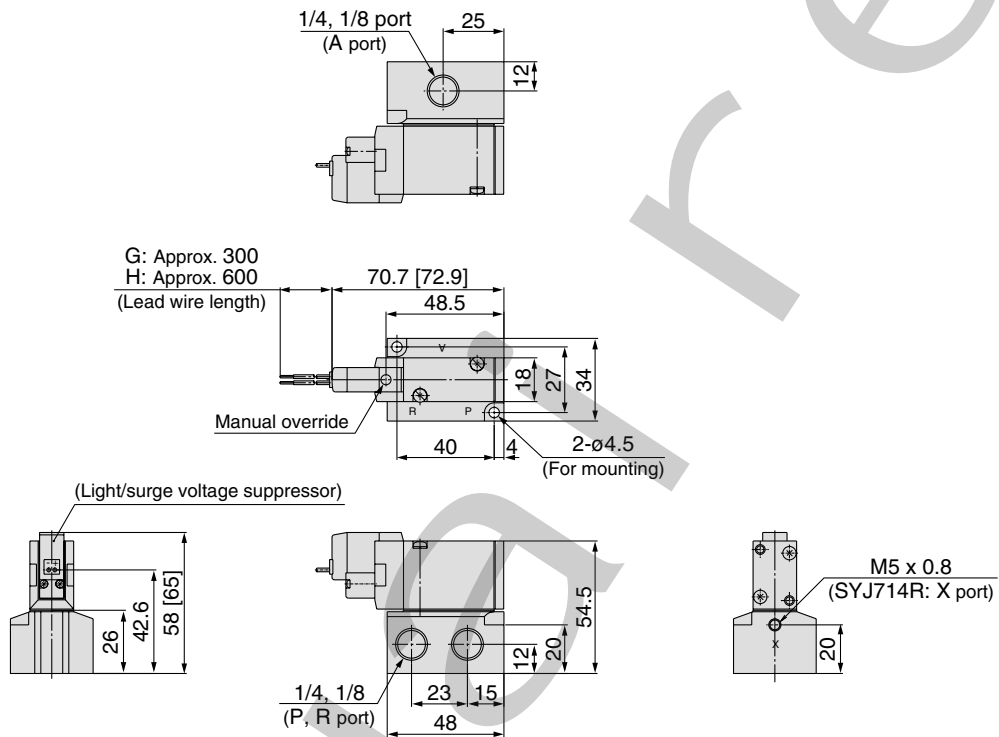


* Refer to the page 68 for dimensions with connector cable.

Base Mounted (With Sub-plate)



Grommet (G), (H): SYJ7□4-□^G□□□⁰¹□₀₂□

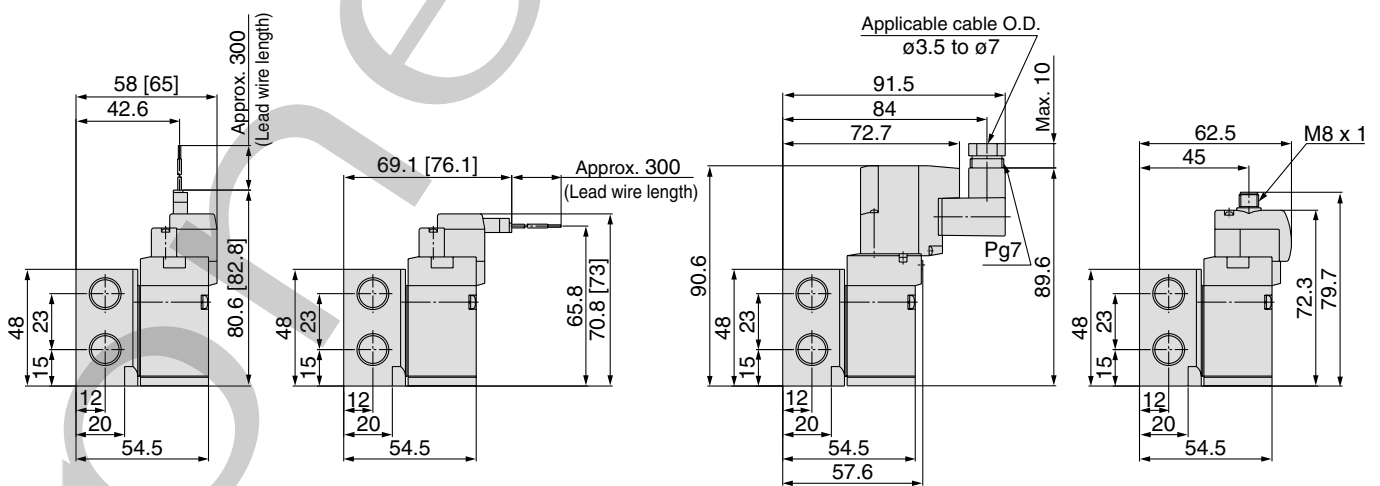


L plug connector (L):
SYJ7□4-□L□□□⁰¹□₀₂□

M plug connector (M):
SYJ7□4-□M□□□⁰¹□₀₂□

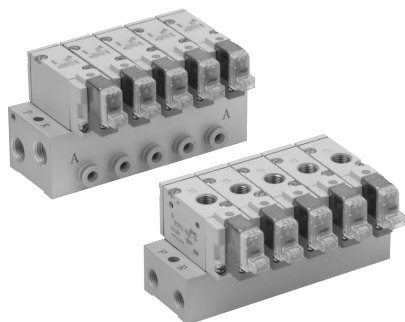
DIN terminal (D):
SYJ7□4-□D□□□⁰¹□₀₂□

M8 connector (W0):
SYJ7□4-□W0□□□⁰¹□₀₂□



* Refer to the page 68 for dimensions with connector cable.

Series SYJ700 Manifold Specifications



Manifold Specifications

Model	For internal pilot	Type 20	Type 21	Type 40	Type 41	Type 42
	For external pilot	—	Type 21R	—	Type 41R	Type 42R
Manifold type		Single base/B mount				
P (SUP), R (EXH)		Common SUP, common EXH				
Valve stations		2 to 20 stations				
A port Porting specifications	Location	Valve	Valve	Base	Base	Base
	Direction	Top	Top	Bottom	Bottom	Side
Port size	P, R port	1/8	1/4	1/8	1/4	1/4
	A port	1/8	1/8	1/8	1/8	1/8 C6 (ø6 one-touch fitting) C8 (ø8 one-touch fitting)
	X port ^{Note)}	—	M3 x 0.8	—	M5 x 0.8	M5 x 0.8

Note) Only for external pilot

Flow Characteristics

Manifold			Port size		Flow characteristics					
					1R2 (PRA)			2R3 (ARR)		
			1(P), 3(R) port	2(A) port	C [dm ³ /(s·bar)]	b	Cv	C [dm ³ /(s·bar)]	b	Cv
Body ported for internal pilot	Type SS3YJ7-20	SYJ7□2	1/8	1/8	2.2	0.34	0.55	2.3	0.27	0.59
	Type SS3YJ7-21		1/4	1/8	2.2	0.39	0.59	2.4	0.32	0.62
Base mounted for internal pilot	Type SS3YJ7-40	SYJ7□4	1/8	1/8	2.1	0.35	0.59	2.3	0.27	0.54
	Type SS3YJ7-41		1/4	1/8	2.2	0.35	0.59	2.4	0.36	0.66
	Type SS3YJ7-42-01		1/4	1/8	2.0	0.27	0.47	2.2	0.32	0.56
	Type SS3YJ7-42-C6		1/4	C6	1.6	0.32	0.39	2.2	0.27	0.54
	Type SS3YJ7-42-C8		1/4	C8	2.1	0.24	0.51	2.3	0.31	0.59
Body ported for external pilot	Type SS3YJ7-21R	SYJ7□2R	1/4	1/8	2.2	0.34	0.55	2.4	0.32	0.62
Base mounted for external pilot	Type SS3YJ7-41R	SYJ7□4R	1/4	1/8	2.2	0.35	0.59	2.4	0.36	0.66
	Type SS3YJ7-42R-01		1/4	1/8	2.0	0.27	0.47	2.2	0.32	0.56
	Type SS3YJ7-42R-C6		1/4	C6	1.6	0.32	0.39	2.2	0.27	0.54
	Type SS3YJ7-42R-C8		1/4	C8	2.1	0.24	0.51	2.3	0.31	0.59

Note) Value at manifold base mounted, 2 position single operating

How to Order Manifold (Example)

Instruct by specifying the valves and blanking plate assembly to be mounted on the manifold along with the manifold base model no.

(Example)

SS3YJ7-20-03 1 set (manifold base) SS3YJ7-42R-03-01 1 set (manifold base)
 * SYJ712-5LZ-01 2 sets (valve) * SYJ714R-5G 2 sets (valve)
 * SYJ700-10-1A 1 set (blanking plate assembly) * SYJ700-10-2A 1 set (blanking plate assembly)

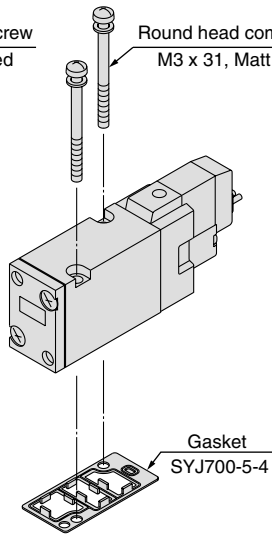
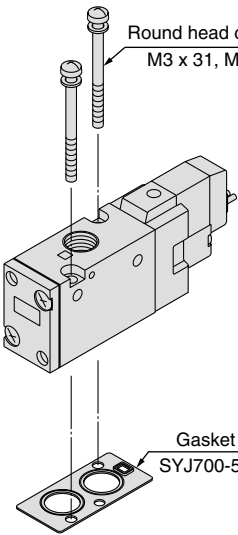
↳ The asterisk denotes the symbol for assembly. Prefix it to the part nos. of the solenoid valve, etc.

Combinations of Solenoid Valve, Manifold Gasket and Manifold Base

Blanking Plate Assembly

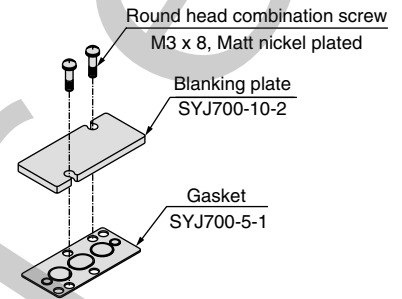
Body ported (Type SYJ7□2)

Base mounted (Type SYJ7□4)



Model no.: SYJ700-10-2A

(In common for body ported type and base mounted type)



Applicable base
 SS3YJ7-20
 SS3YJ7-21
 SS3YJ7-21R } Manifold base

Applicable base
Sub-plate
 SS3YJ7-40
 SS3YJ7-41
 SS3YJ7-42 } Manifold base
 SS3YJ7-41R
 SS3YJ7-42R }

⚠ Caution

Mounting screw tightening torques

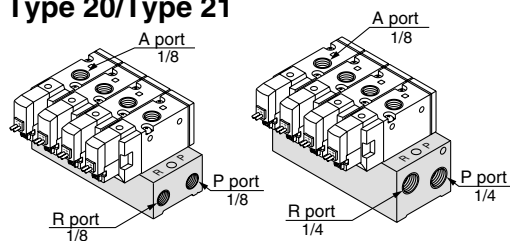
M3: 0.8 N-m

Use caution to the assembly orientation for solenoid valves, gasket, and optional parts.

Series SYJ700

Manifold for Internal Pilot Type

Type 20/Type 21



How to Order

SS3YJ7-20-05

Manifold type •

20	Type 20
21	Type 21

Stations •

02	2 stations
:	:
20	20 stations

P, R port thread type

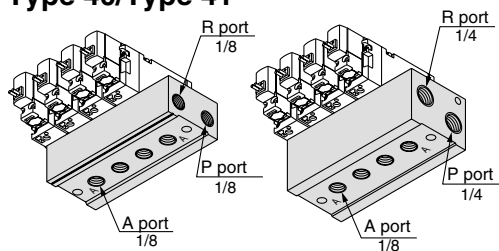
Nil	Rc
00F	G
00N	NPT
00T	NPTF

Applicable solenoid valve
 SYJ712-□□□□-01
 SYJ712M-□□□□-01
 SYJ722-□□□□-01
 SYJ722M-□□□□-01

Applicable blanking plate assembly
 SYJ700-10-2A

Note) If there are more than 6 stations for type 20, or more than 9 stations for 21 type, supply air to both sides of P port and exhaust air from both sides of R port.

Type 40/Type 41



How to Order

SS3YJ7-40-05-01

Manifold type •

40	Type 40
41	Type 41

Stations •

02	2 stations
:	:
20	20 stations

A port size

01	1/8
----	-----

P, R port thread type

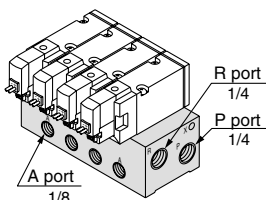
Nil	Rc
F	G
N	NPT
T	NPTF

Applicable solenoid valve
 SYJ714-□□□□
 SYJ714M-□□□□
 SYJ724-□□□□
 SYJ724M-□□□□

Applicable blanking plate assembly
 SYJ700-10-2A

Note) If there are more than 6 stations for type 40, or more than 9 stations for 41 type, supply air to both sides of P port and exhaust air from both sides of R port.

Type 42



How to Order

SS3YJ7-42-05-C6

Stations •

02	2 stations
:	:
20	20 stations

A port size •

01	1/8
C6	ø6 one-touch fitting
C8	ø8 one-touch fitting
N7	ø1/4" one-touch fitting
N9	ø5/16" one-touch fitting

P, R port thread type

Nil	Rc
F	G
N	NPT
T	NPTF

Applicable solenoid valve
 SYJ714-□□□□
 SYJ714M-□□□□
 SYJ724-□□□□
 SYJ724M-□□□□

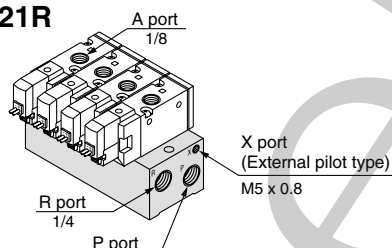
Applicable blanking plate assembly
 SYJ700-10-2A

Note) For more than 9 stations, supply air to both sides of P port and exhaust air from both sides of R port.

Manifold for External Pilot Type

Pilot valve pressure is supplied separately from the main valve pressure through the use of a separate supply port. It can be used in the vacuum (up to -100 kPa) or low pressure line with 0.15 MPa or less.

Type 21R



How to Order

SS3YJ7-21R-05

Stations •

02	2 stations
:	:
20	20 stations

P, R port thread type

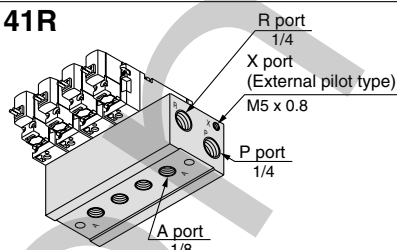
Nil	Rc
00F	G
00N	NPT
00T	NPTF

Applicable solenoid valve
 SYJ712R-□□□□-01
 SYJ722R-□□□□-01

Applicable blanking plate assembly
 SYJ700-10-2A

Note) For more than 9 stations, supply/exhaust air to/from both sides of P and R port.

Type 41R



How to Order

SS3YJ7-41R-05-01

Stations •

02	2 stations
:	:
20	20 stations

A port size •

01	1/8
----	-----

P, R port thread type

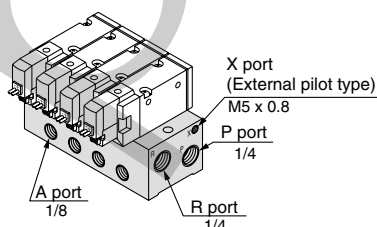
Nil	Rc
F	G
N	NPT
T	NPTF

Applicable solenoid valve
 SYJ714R-□□□□
 SYJ724R-□□□□

Applicable blanking plate assembly
 SYJ700-10-2A

Note) For more than 9 stations, supply/exhaust air to/from both sides of P and R port.

Type 42R



How to Order

SS3YJ7-42R-05-01

Stations •

02	2 stations
:	:
20	20 stations

A port size •

01	1/8
C6	ø6 one-touch fitting
C8	ø8 one-touch fitting
N7	ø1/4" one-touch fitting
N9	ø5/16" one-touch fitting

P, R port thread type

Nil	Rc
F	G
N	NPT
T	NPTF

Applicable solenoid valve
 SYJ714R-□□□□
 SYJ724R-□□□□

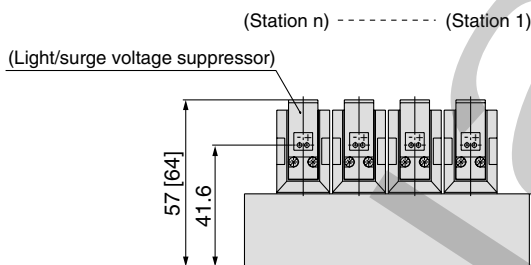
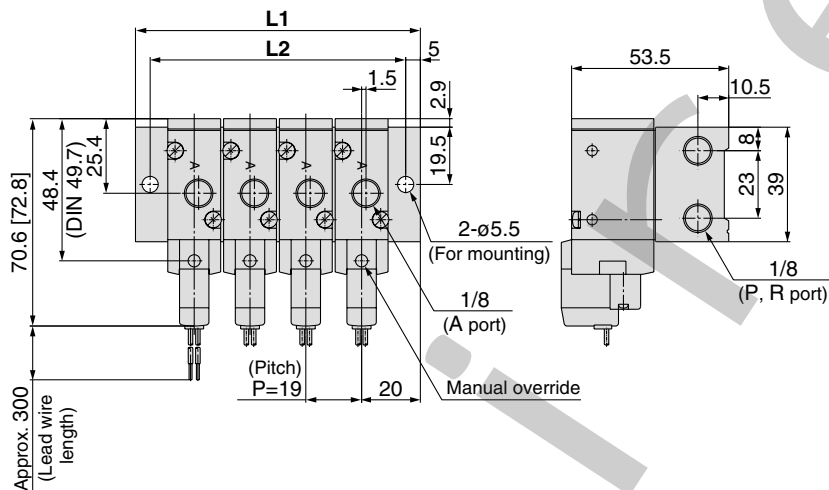
Applicable blanking plate assembly
 SYJ700-10-2A

Note) For more than 9 stations, supply/exhaust air to/from both sides of P and R port.

Type 20 Manifold: Top Ported/SS3YJ7-20- Stations (-00□)



Grommet (G)

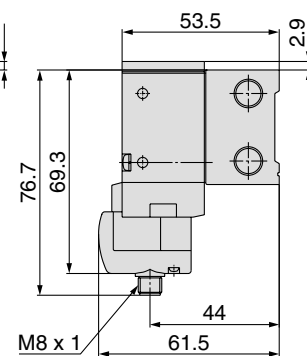
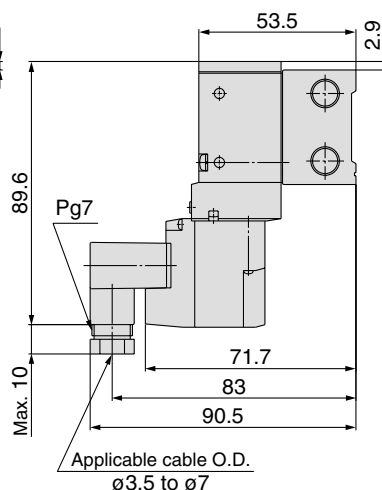
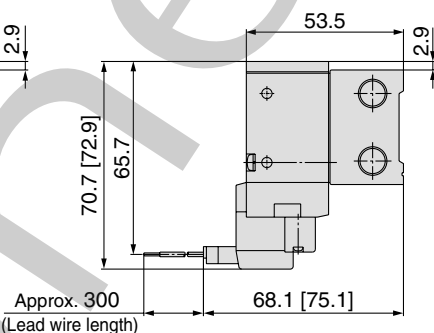
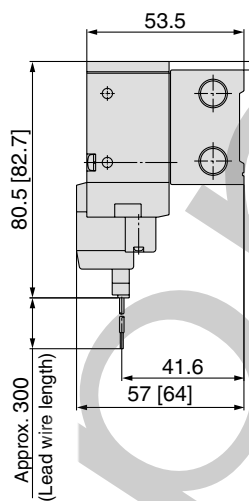


L plug connector (L)

M plug connector (M)

DIN terminal (D)

M8 connector (W0)



* Refer to the page 68 for dimensions with connector cable.

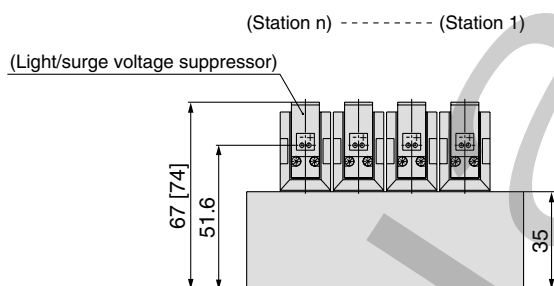
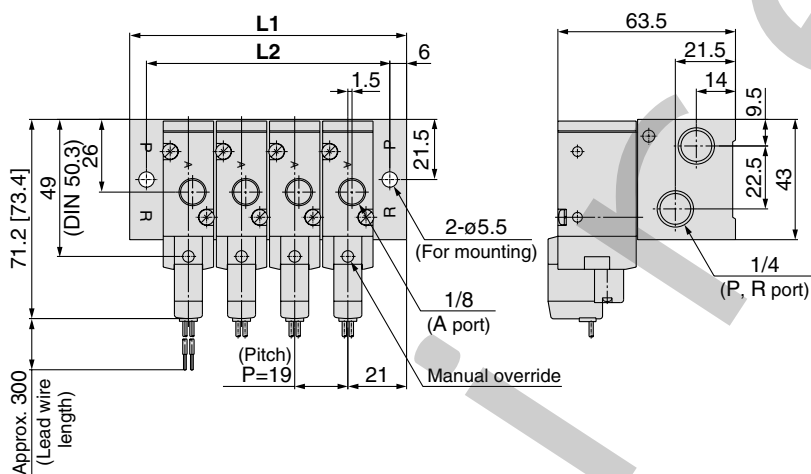
Station n	Station 2	3	4	5	6	7	8	9	10	11	12	13	14	15	16	17	18	19	Station 20
L1	59	78	97	116	135	154	173	192	211	230	249	268	287	306	325	344	363	382	401
L2	49	68	87	106	125	144	163	182	201	220	239	258	277	296	315	334	353	372	391

Series SYJ700

Type 21 Manifold: Top Ported/SS3YJ7-21- Stations (-00□)

* [] for AC

Grommet (G)

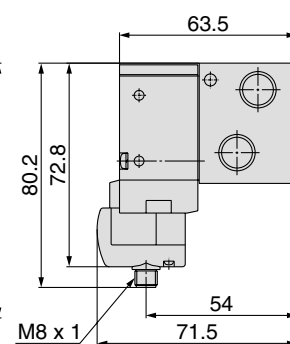
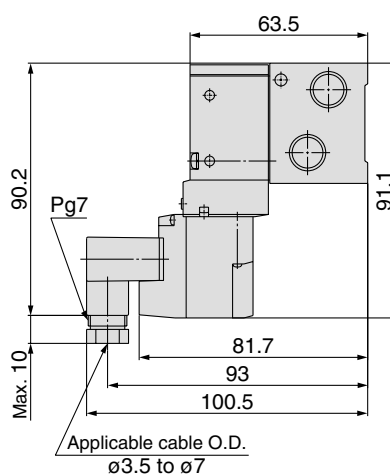
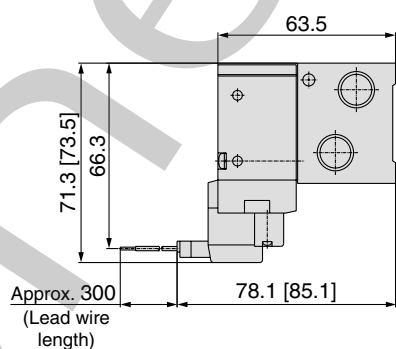
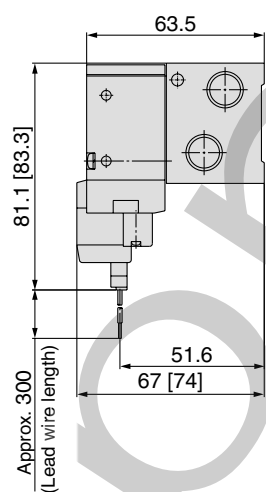


L plug connector (L)

M plug connector (M)

DIN terminal (D)

M8 connector (W0)



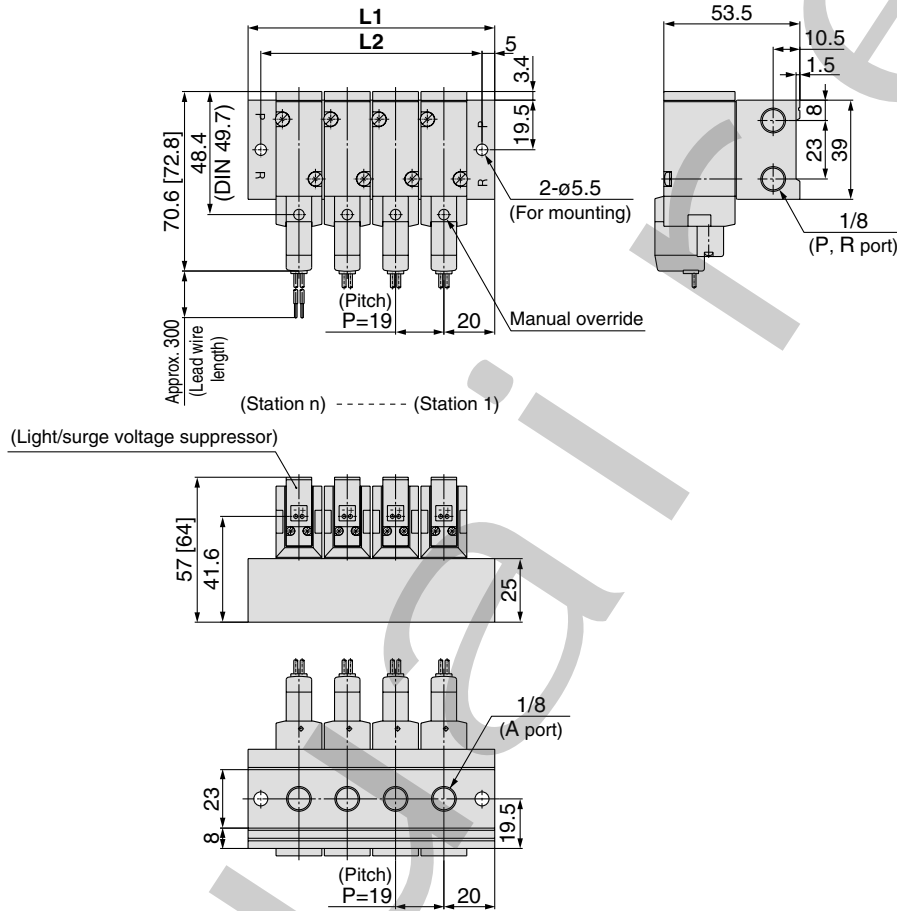
* Refer to the page 68 for dimensions with connector cable.

Station n	Station 2	3	4	5	6	7	8	9	10	11	12	13	14	15	16	17	18	19	Station 20
L1	61	80	99	118	137	156	175	194	213	232	251	270	289	308	327	346	365	384	403
L2	49	68	87	106	125	144	163	182	201	220	239	258	277	296	315	334	353	372	391

Type 40 Manifold: Bottom Ported/SS3YJ7-40- Stations -01 □

* [] for AC

Grommet (G)

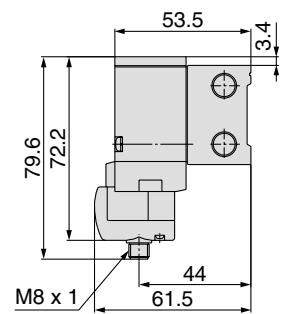
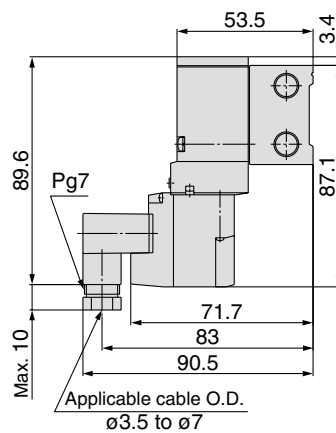
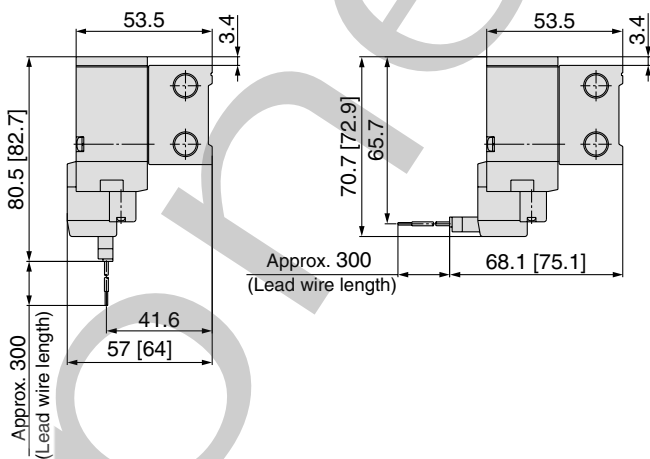


L plug connector (L)

M plug connector (M)

DIN terminal (D)

M8 connector (W0)



* Refer to the page 68 for dimensions with connector cable.

Station n	Station 2	3	4	5	6	7	8	9	10	11	12	13	14	15	16	17	18	19	Station 20
L1	59	78	97	116	135	154	173	192	211	230	249	268	287	306	325	344	363	382	401
L2	49	68	87	106	125	144	163	182	201	220	239	258	277	296	315	334	353	372	391

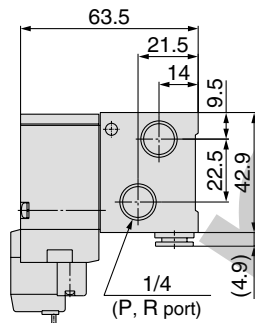
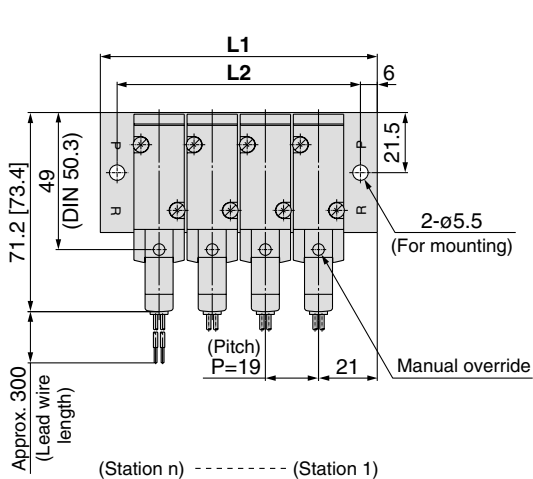
Series SYJ700

Type 42 Manifold: Side Ported/SS3YJ7-42- Stations -01, C6 N7 C8, N9

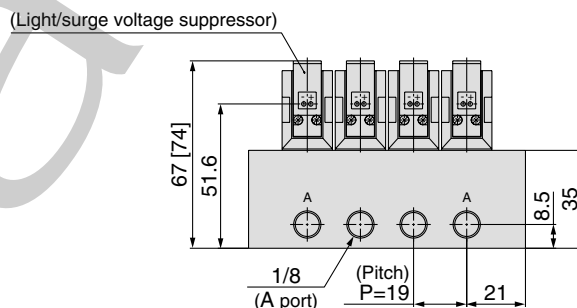
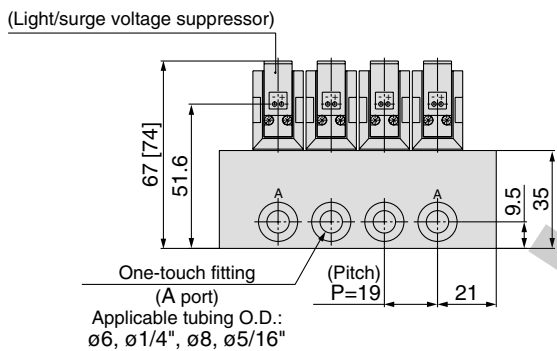
* [] for AC

Grommet (G)

For C6, N7 C8, N9 (Built-in one-touch fitting)



For 1/8

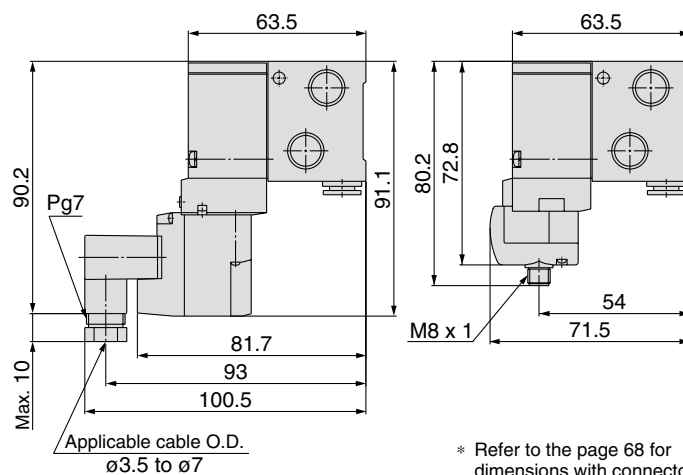
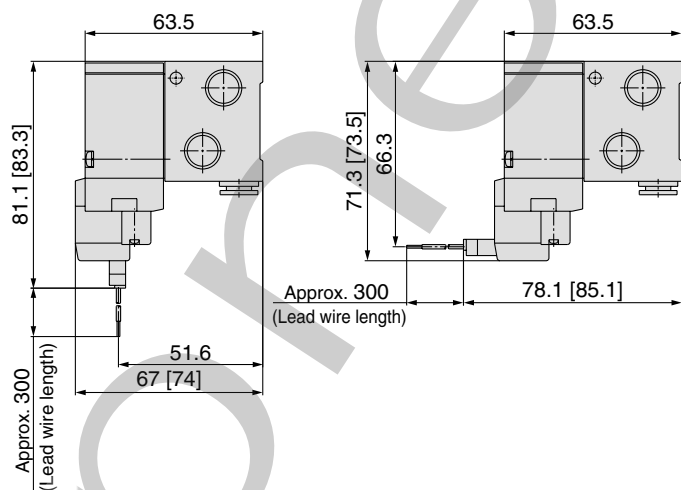


L plug connector (L)

M plug connector (M)

DIN terminal (D)

M8 connector (W0)



* Refer to the page 68 for dimensions with connector cable.

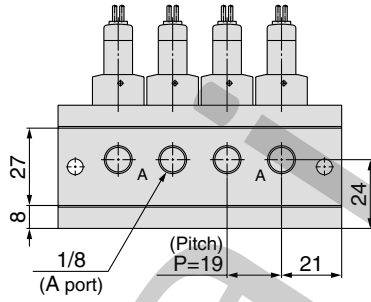
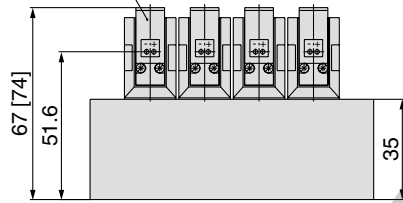
Station n	Station 2	3	4	5	6	7	8	9	10	11	12	13	14	15	16	17	18	19	Station 20
L1	61	80	99	118	137	156	175	194	213	232	251	270	289	308	327	346	365	384	403
L2	49	68	87	106	125	144	163	182	201	220	239	258	277	296	315	334	353	372	391

Type 41 Manifold: Bottom Ported/SS3YJ7-41- Stations -01 □



Grommet (G)

(Light/surge voltage suppressor)



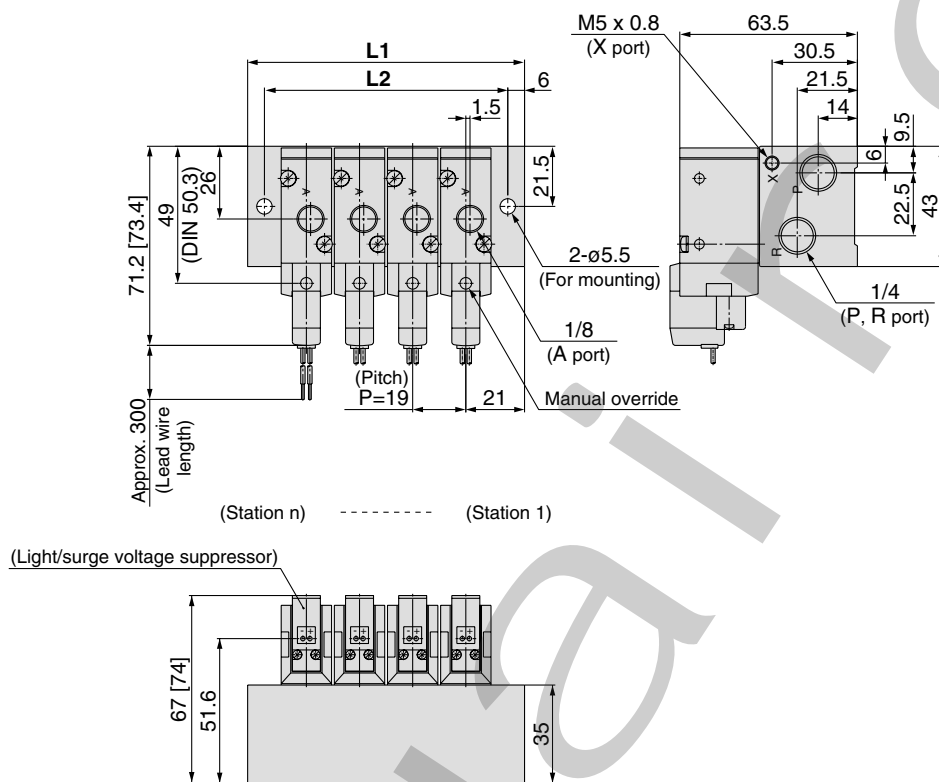
POWER AIRE

Series SYJ700

Type 21R Manifold: Top Ported (External Pilot Type)/SS3YJ7-21R- Stations (-00□)

* [] for AC

Grommet (G)

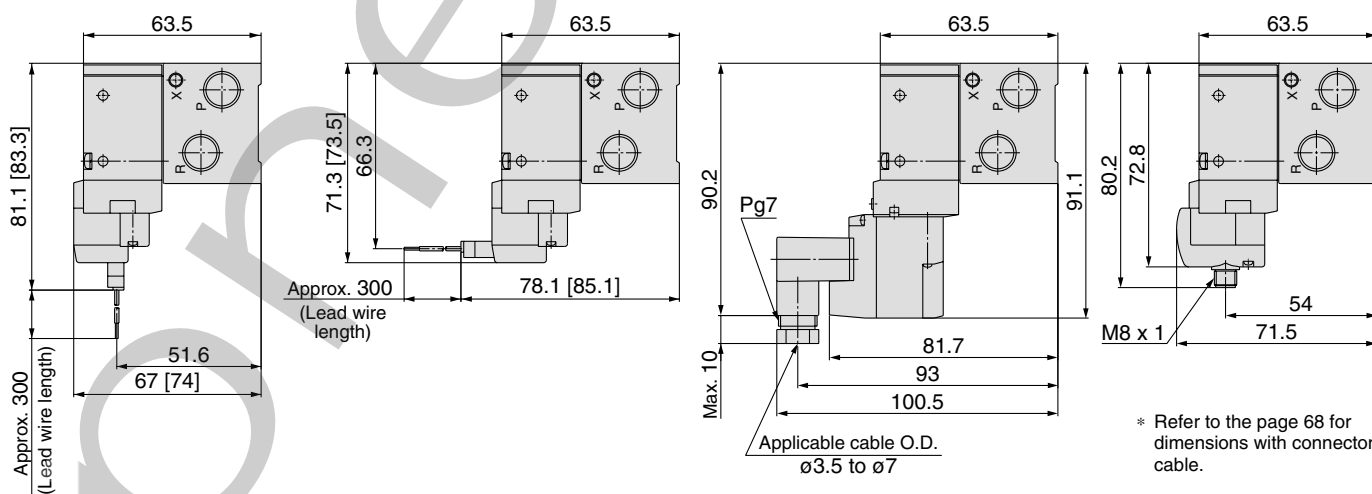


L plug connector (L)

M plug connector (M)

DIN terminal (D)

M8 connector (W0)

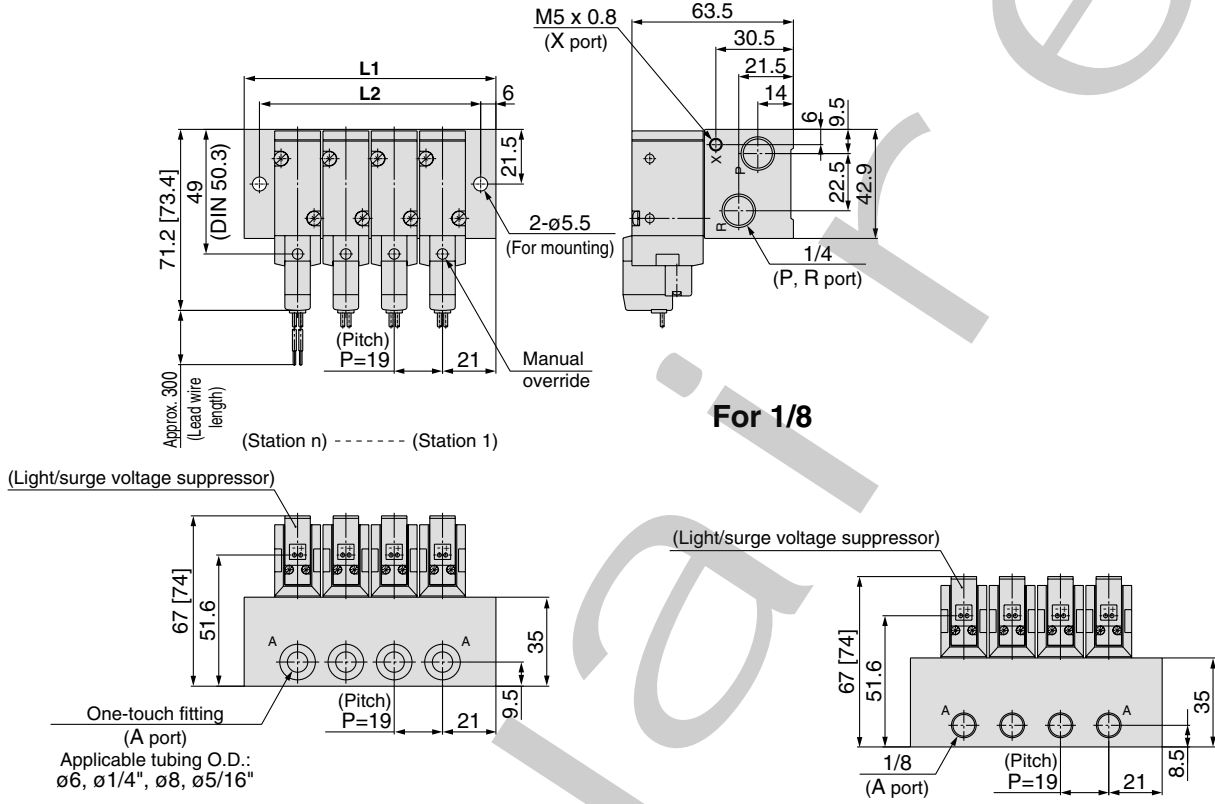


Station n	Station 2	3	4	5	6	7	8	9	10	11	12	13	14	15	16	17	18	19	Station 20
L1	61	80	99	118	137	156	175	194	213	232	251	270	289	308	327	346	365	384	403
L2	49	68	87	106	125	144	163	182	201	220	239	258	277	296	315	334	353	372	391

Type 42R Manifold: Side Ported/SS3YJ7-42R- Stations -01, C6 N7 C8, N9



Grommet (G)

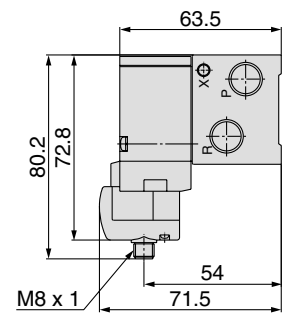
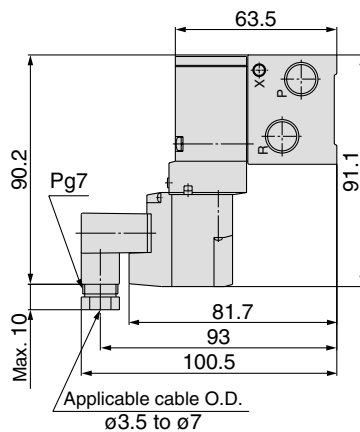
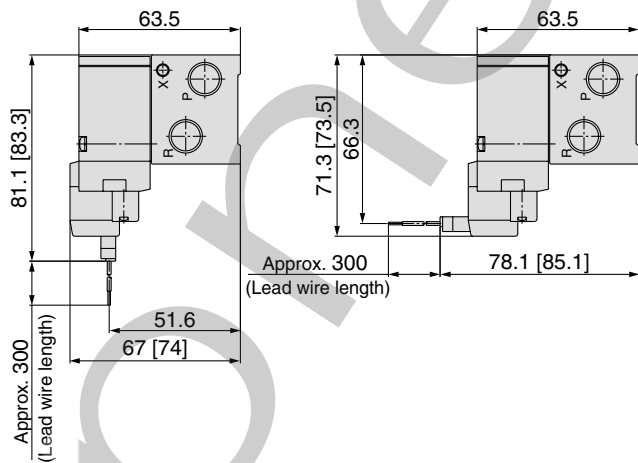


L plug connector (L)

M plug connector (M)

DIN terminal (D)

M8 connector (W0)



* Refer to the page 68 for dimensions with connector cable.

Station n	Station 2	3	4	5	6	7	8	9	10	11	12	13	14	15	16	17	18	19	Station 20
L1	61	80	99	118	137	156	175	194	213	232	251	270	289	308	327	346	365	384	403
L2	49	68	87	106	125	144	163	182	201	220	239	258	277	296	315	334	353	372	391



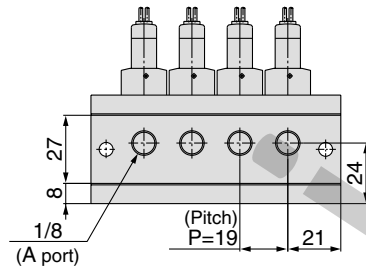
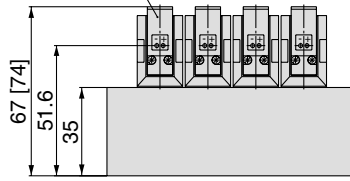
Series SYJ700

Type 41R Manifold: Bottom Ported (External Pilot Type)/SS3YJ7-41R- Stations-01

* [] for AC

Grommet (G)

(Light/surge voltage suppressor)



Power Aire

