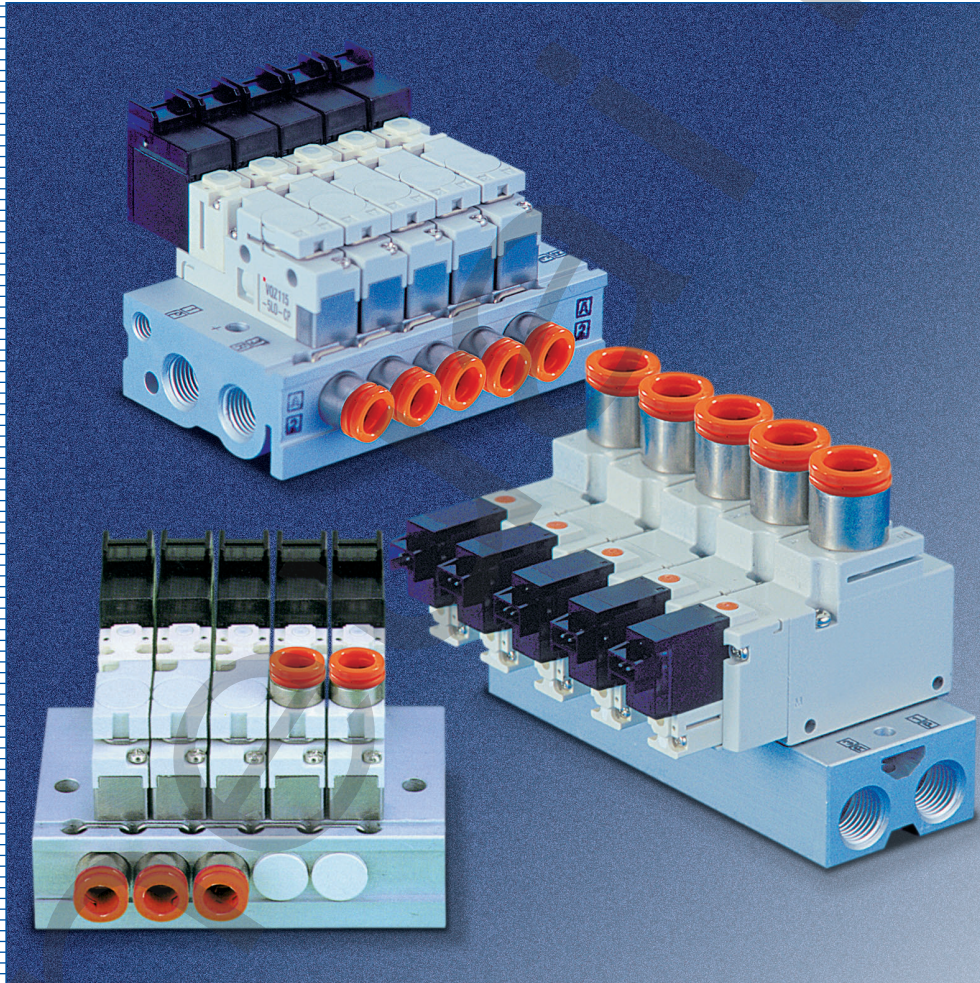


3 Port Solenoid Valve

VQZ Series

Base Mounted and Body Ported



Choice of Rubber or Metal Seal
Compact Design With Large Flow
Long Life
Interchangeable One-Touch Fittings

Table of Contents

Product Featurespages 4-5
 Preferred Options Guide.....page 7

Base Mounted Valves and Manifoldspage 9

Specificationspages 10-11
 How To Orderpages 12-15
 Optionspage 16

Body Ported Valves and Manifoldspage 17

Specifications.....pages 18-19
 How To Orderpages 20-23
 Optionspage 24

Technical Referencepage 25

Dimensional Drawings.....pages 26-39
 Operations Guidepages 41-47



Targeting new trends in the advancement of industrial automation, P/A has developed a category of products recognized as especially significant and of universal importance. We refer to these products as “Z Products.” These revolutionary products, whether simple or complex, provide P/A customers with superior performance and availability at a very affordable cost.

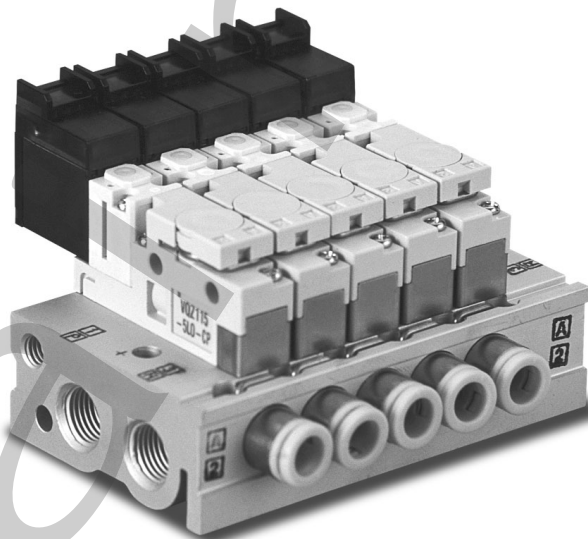
Series VQZ

3 Port 100/200/300

Base Mounted & Body Ported

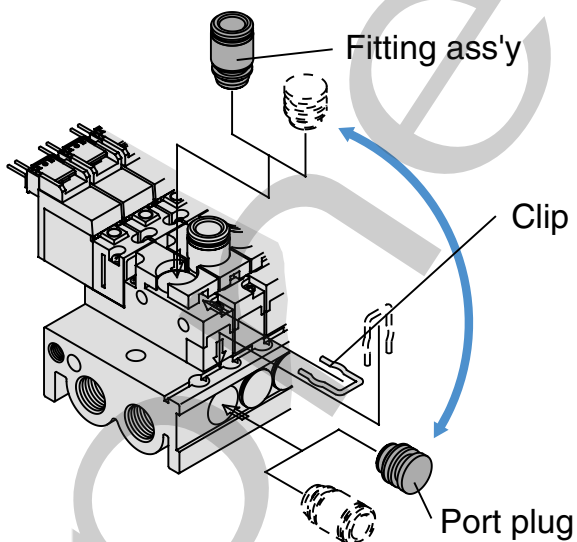
High speed and Long life.

	Response time	Life
VQZ100	10ms	200 million* cycles
VQZ200	12ms	
VQZ300	15ms	
Dispersion accuracy ± 2 ms		
* Life: Metal seal type		
* Response time: Metal seal, single solenoid with light and surge voltage suppressor.		



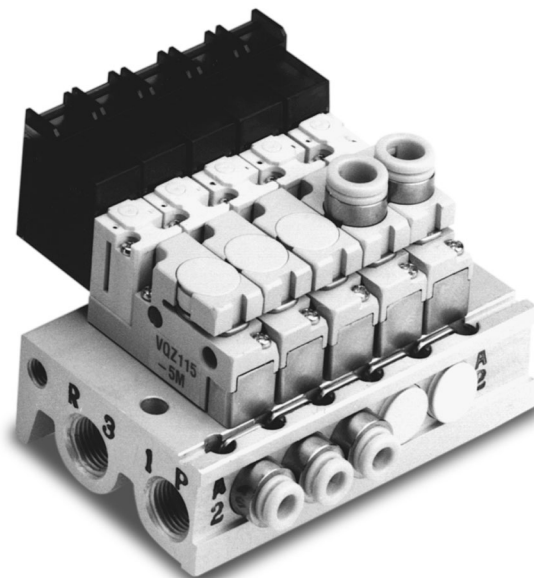
Piping direction can be changed on VQZ100

It's possible to change from side to top porting and vice versa.

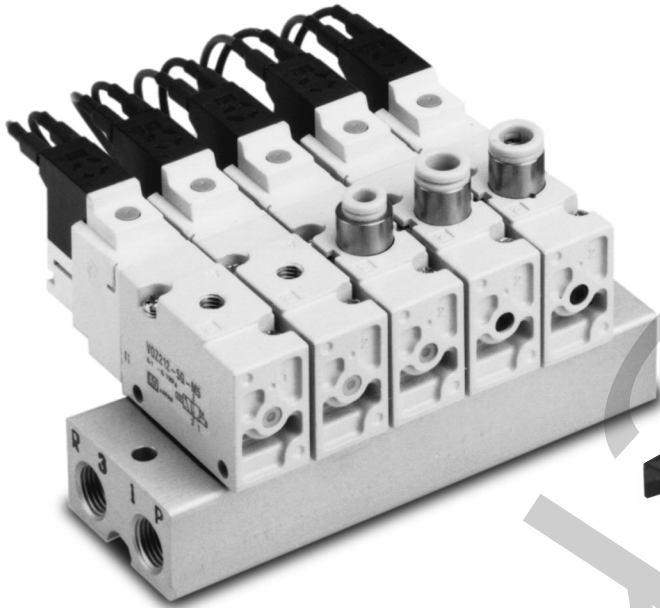


Compact design with large flow capacity

Body width	Cv
10mm (VQZ100)	0.2~0.35
15mm (VQZ200)	0.6~0.7
18mm (VQZ300)	0.9~1.2

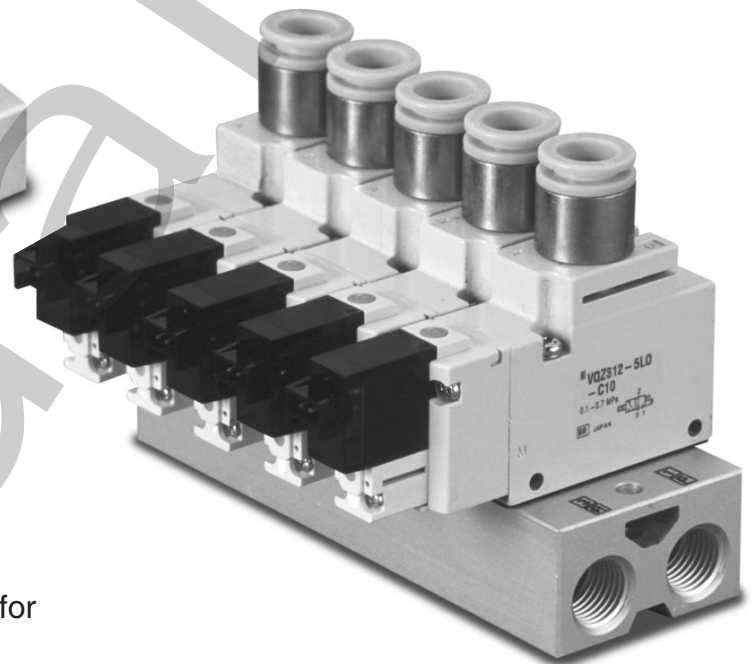


Choice of metal or rubber seal main valve construction (VQZ200/300)



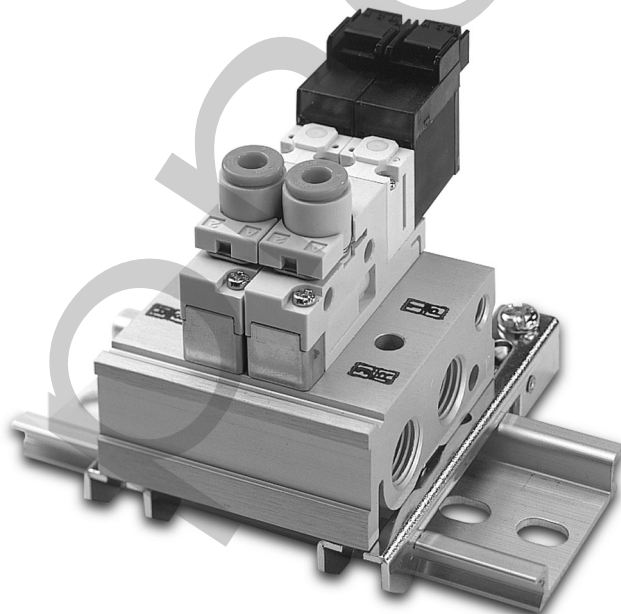
Built-in 'One-touch' fitting for easier piping

Integral One-touch fittings save on installation time and labor and can be easily removed if necessary.



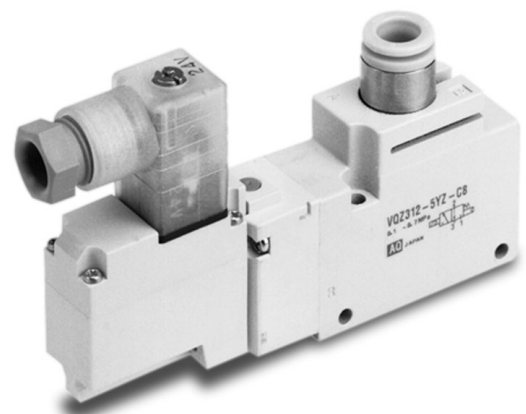
DIN rail mounting is available

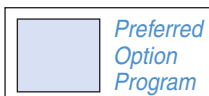
Aluminum base allows DIN rail mounting for easy installation in panels.



Optional IP65 rated DIN connector

IP65 provides protection against dust and moisture contamination.







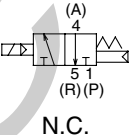
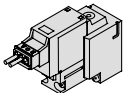




The Preferred Option Program:

"Quick Delivery and Service Assurance"

The product series in this catalog utilizes P/A's Preferred Option Program, a unique program intended to emphasize the model configurations that are most readily available where the catalog presents an extensive variety of choice. All other options are available, whereas they may be stocked in lesser quantities or manufactured to order. Special arrangements can be made for repeating (blanket) orders of these product models. Contact your sales representative for further details.

Valve Preferred Options

		Seal type	Function	Voltage	Electrical entry	Indicator light and surge voltage suppressor	Manual override
Body Ported Type	VQZ100 	— Rubber					
	VQZ200 	Metal Rubber					
	VQZ300 	Metal Rubber					
Base Mounted type	VQZ100 	— Rubber	 N.C.	12VDC 24VDC 110VAC	L type plug connector (L) 	With Indicator light and surge voltage suppressor	Non-locking push type (Tool type)
	VQZ200 	Metal Rubber					
	VQZ300 	Metal Rubber					

Note: The base mounted and body ported manifolds for the VQZ 100/200/300 are stocked in inch porting as part of the P.O.P.



Base Mounted

Series VQZ100 • 200 • 300

■ Specifications

Valve	page 10
Manifold	page 11

■ How To Order

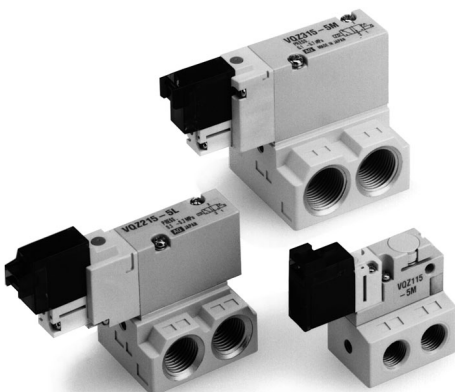
Valve	pages 12-13
Manifold	pages 14-15
Options	page 16

Series VQZ

3 Port Solenoid Valve

Standard Specifications

Standard Specifications



		Metal seal	Rubber seal	
Valve specifications	Type of seal			
	Fluid	Air, Inert gas	Air, Inert gas	
	Max. operating pressure	100 psi (0.7MPa) High pressure type	113 psi (0.8MPa)	
	Min. operating pressure	14 psi (0.1MPa)	21 psi (0.15MPa)	
	Ambient and fluid temperature	14 to 122°F ^{Note 1)}	14 to 122°F ^{Note 1)}	
	Max. operating frequency	20Hz	5Hz	
	Proof pressure	217 psi (1.5MPa)		
	Lubrication	Not required		
	Manual override	Non-locking push type/Slotted locking type		
	Shock/Vibration resistance ^{Note 2)}	150/30 m/s ²		
Solenoid specifications	Enclosure	Dust proof		
	Coil rated voltage	12V, 24VDC; 110V, 220VAC		
	Allowable voltage range	±10% of rated voltage		
	Coil insurance	Class B		
	Power consumption (Current value)	24VDC	1WDC(42mA), 1.5WDC(63mA), 0.5WDC(21mA)	
		12VDC	1WDC(83mA), 1.5WDC(125mA), 0.5WDC(42mA)	
		110VAC	Inrush 1.3VA(11.7mA), Holding 1.3VA(11.7mA)	
220VAC		Inrush 2.6VA(11.7mA), Holding 2.6VA(11.7mA)		

Note 1) Use dry air to prevent dew condensation when operating at low temperature.

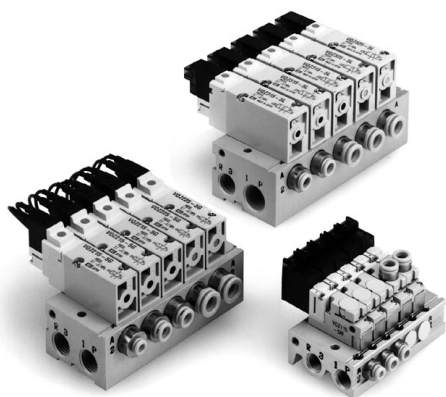
Model

Series	Valve construction	Type	Effective area mm ² (Cv) ^{Note 1)}	Response time ms ^{Note 2)}		Weight g ^{Note 3)}	
				Standard: 1W High pressure: 1.5W	Low wattage and AC		
VQZ100	N.C.	Poppet	VQZ115	5.4 (0.3)	10 or less	13 or less	25
VQZ200	N.C.	Metal	VQZ215	10.8 (0.6)	14 or less	18 or less	53
		Rubber	VQZ235	12.6 (0.7)	15 or less	20 or less	
	N.O.	Metal	VQZ225	10.0 (0.55)	14 or less	18 or less	
		Rubber	VQZ245	12.6 (0.7)	15 or less	20 or less	
VQZ300	N.C.	Metal	VQZ315	16.2 (0.9)	17 or less	22 or less	77
		Rubber	VQZ335	21.6 (1.2)	25 or less	33 or less	
	N.O.	Metal	VQZ325	15.3 (0.85)	17 or less	22 or less	
		Rubber	VQZ345	21.6 (1.2)	25 or less	33 or less	

Note 1) Value on sub-plate with maximum port size.

Note 2) The response time is subject to the pressure and the air quality. The values are given for double solenoid types.

Note 3) Weight without sub-plate



Manifold Specification

Series	Base model	Piping specification		Applicable valve	Applicable stations	Manifold base weight g ^{Note)}	
		Piping	Port size				
			1(P), 3(R)				2(A)
VQZ100	VV3QZ15- [] [] [] [] []	Side Top	1/8 NPTF	N1T (ø1/8) N3T (ø5/32) N7T (ø1/4) M5 (M5 thread)	VQZ1 [] 5	2 to 20 stations 2 stations: 83 Addition per station: 19	
VQZ200	VV3QZ25- [] [] [] [] []	Side	1/4 NPTF	N3T (ø5/32) N7T (ø1/4) N9T (ø5/16) 1/8 NPTF	VQZ2 [] 5	2 to 20 stations 2 stations: 126 Addition per station: 38	
VQZ300	VV3QZ35- [] [] [] [] []	Side	1(P)Port 3/8 NPTF 3(R)Port 1/4 NPTF	N7T (ø1/4) N9T (ø5/16) N11T (ø3/8) 1/4 NPTF	VQZ3 [] 5	2 to 20 stations 2 stations: 209 Addition per station: 60	

Note) Threaded port type.

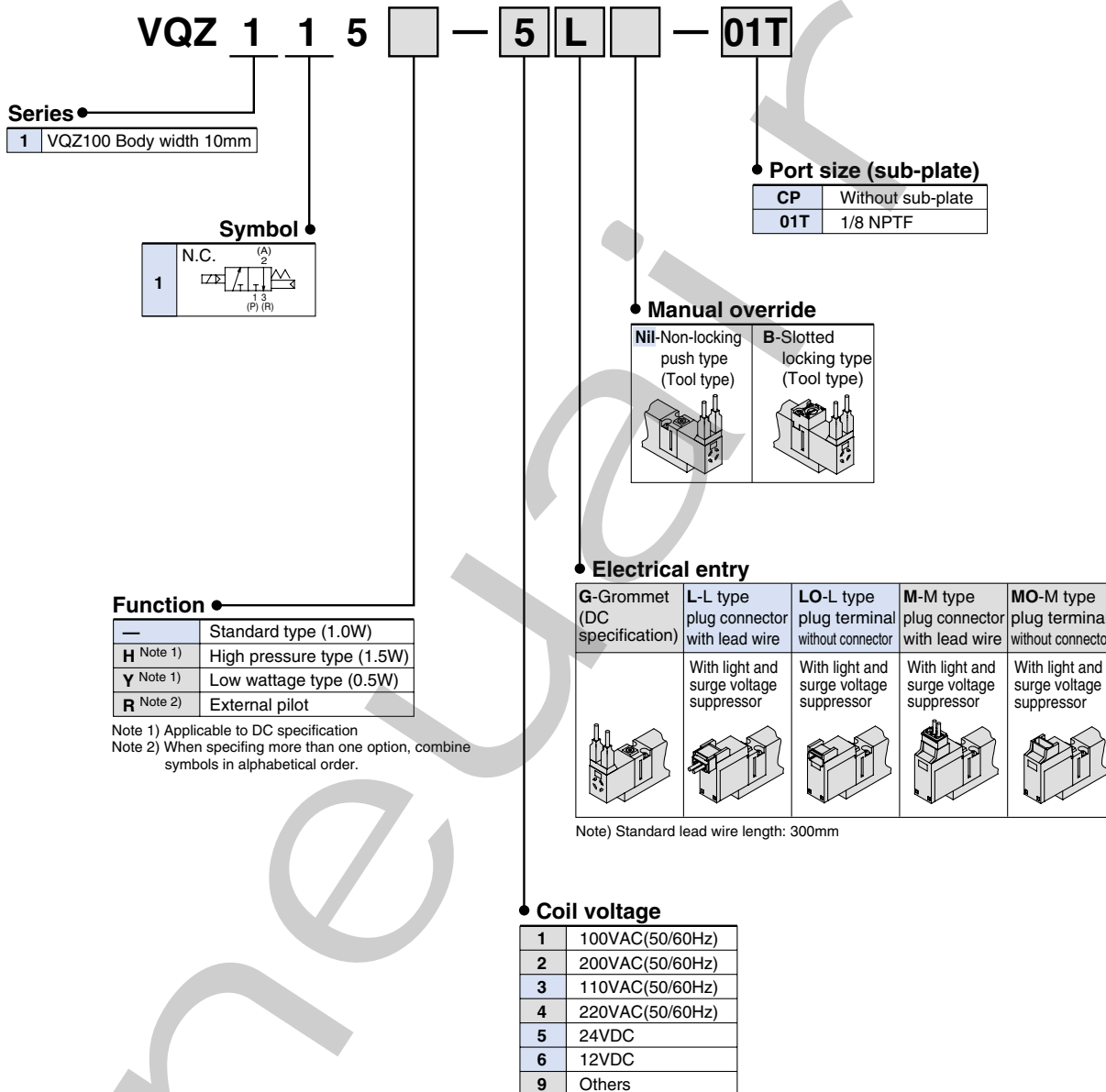
How to Order Manifold Assembly (Example)

VV3QZ25-05N7TC = 1 pc.—5 station manifold base
 VVQZ200-10A-5 = 1 pc.—Blank plate assembly
 VQZ215-5L = 4 pcs.—Valve

Series VQZ

How To Order

How To Order: VQZ Base Mounted Valve With Sub-plate

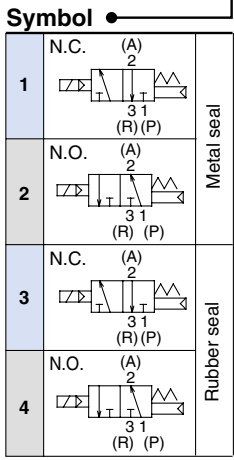
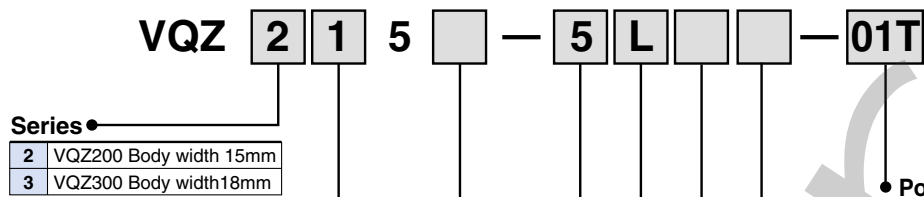


Series VQZ



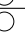
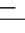
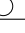

How To Order

How To Order: VQZ200/300 Base Mounted Valve With Sub-plate

 Preferred
Option
Program

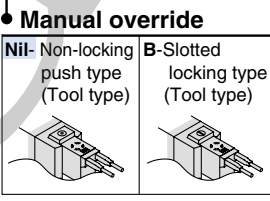


● Port size (sub-plate)

Symbol	Port size	VQZ200	VQZ300
—	Without sub-plate		
01T	1/8 NPTF		—
02T	1/4 NPTF		
03T	3/8 NPTF	—	

● IP65 Option (Y, YZ only)

—	Standard
W	IP65 rated

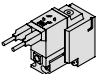
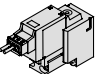
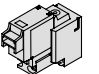
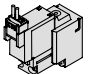
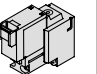
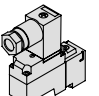
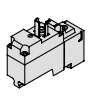
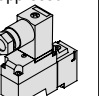
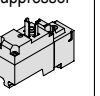


Function ●

—	Standard type (1.0W)
H <small>Note 1)</small>	High pressure type (1.5W)
Y <small>Note 1)</small>	Low wattage type (0.5W)
R <small>Note 2)</small>	External pilot

Note 1) Applicable to DC specification
 Note 2) When specifying more than one option, combine symbols in alphabetical order.

● Electrical entry

G-Grommet (DC specification)	L-L type plug connector with lead wire	LO-L type plug terminal without connector	M-M type plug connector with lead wire	MO-M type plug terminal without connector
	With light and surge voltage suppressor	With light and surge voltage suppressor	With light and surge voltage suppressor	With light and surge voltage suppressor
				
Y-DIN connector	YO-DIN terminal without connector	YZ-DIN connector	YOS-DIN terminal without connector	
		With light and surge voltage suppressor	With surge voltage suppressor	
				

Note) Standard lead wire length: 300mm.

● Coil voltage

1	100VAC(50/60Hz)
2	200VAC(50/60Hz)
3	110VAC(50/60Hz)
4	220VAC(50/60Hz)
5	24VDC
6	12VDC
9	Others

Series VQZ

How To Order

Manifold Connector Kit

How To Order: VQZ100 Base Mounted Manifold



VV3QZ 1 5 — 08 N7T C —

Series

1	VQZ100
---	--------

Manifold type

5	Base mounted
---	--------------

Number of stations

02	2 stations
⋮	⋮
20	20 stations

Option

—	None
D	DIN rail mounting (DIN rail standard length)
R	External pilot

Kit

C	Connector
---	-----------

Port size{2(A)Port}

N1T	One-touch fitting for $\phi 1/8"$	For lateral piping
N3T	One-touch fitting for $\phi 5/32"$	
N7T	One-touch fitting for $\phi 1/4"$	
M5T	M5 thread	For top piping
CP (Note)	With port plug	

Note) In case of CP port plug is inserted in all 2(A) port. Valve on manifold has top piping.

How To Order: VQZ100 Base Mounted Valve For Manifolding

VQZ 1 1 5 — 5 L — CP

Series

1	VQZ100 Body width 10mm
---	------------------------

Symbol

1	N.C.
---	------

Port size

CP	With port plug	For lateral piping
N1	One-touch fitting for $\phi 1/8"$	For top piping only
N3	One-touch fitting for $\phi 5/32"$	
N7	One-touch fitting for $\phi 1/4"$	
M5	M5 thread	

Manual override

—	Non-locking push type (Tool type)
B	Slotted locking type (Tool type)

Electrical entry

Symbol	Electrical entry	Light and surge voltage suppressor
G	Grommet (DC specification)	Without
L	L type plug connector with lead wire	With
LO	L type plug terminal without connector	
M	M type plug connector with lead wire	
MO	M type plug terminal without connector	

Note) Standard lead wire length: 300mm.

Function

—	Standard type (1.0W)
H (Note 1)	High pressure type (1.5W)
Y (Note 1)	Low wattage type (0.5W)
R	External pilot

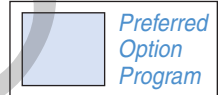
Note 1) Applicable to DC specification
Note 2) When specifying more than one option, combine symbols in alphabetical order.

Coil voltage

1	100VAC(50/60Hz)
2	200VAC(50/60Hz)
3	110VAC(50/60Hz)
4	220VAC(50/60Hz)
5	24VDC
6	12VDC
9	Others

How To Order

How To Order: VQZ200/300 Base Mounted Manifold



VV3QZ 2 5 — 08 N7T C —

Series

2	VQZ200
3	VQZ300

Manifold type

5	Base mounted
---	--------------

Number of stations

02	2 stations
:	:
20	20 stations

Option

—	None
D	DIN rail mounting (DIN rail standard length)
R	External pilot specification

Kit

C	Connector
---	-----------

Port size {2(A)Port}

Symbol	Port size	VQZ200	VQZ300
N3T	One-touch fitting for ø5/32"	○	—
N7T	One-touch fitting for ø1/4"	○	○
N9T	One-touch fitting for ø5/16"	○	○
N11T	One-touch fitting for ø3/8"	—	○
O1T	1/8 NPTF	○	—
O2T	1/4 NPTF	—	○

How To Order: VQZ200/300 Base Mounted Valve For Manifolding

VQZ 2 1 5 — 5 L

Series

2	VQZ200 Body width 15mm
3	VQZ300 Body width 18mm

Symbol

1	N.C. Metal seal
2	N.O. Metal seal
3	N.C. Rubber seal
4	N.O. Rubber seal

IP65 Option (Y, YZ only)

—	Standard
W	IP65 rated

Manual override

—	Non-locking push type (Tool type)
B	Slotted locking type (Tool type)

Electrical entry

Symbol	Electrical entry	Light and surge voltage suppressor
G	Grommet (DC specification)	Without
L	L type plug connector with lead wire	With
LO	L type plug terminal without connector	
M	M type plug connector with lead wire	
MO	M type plug terminal without connector	
Y	DIN connector	Without
YO	DIN terminal without connector	
YZ	DIN connector	With
YOS	DIN terminal without connector	With(Without light)

Note) Standard lead wire length: 300mm.

Coil voltage

1	100VAC(50/60Hz)
2	200VAC(50/60Hz)
3	110VAC(50/60Hz)
4	220VAC(50/60Hz)
5	24VDC
6	12VDC
9	Others

Function

—	Standard type (1.0W)
H Note 1)	High pressure type (1.5W)
Y Note 1)	Low wattage type (0.5W)
R	External pilot

Note 1) Applicable to DC specification
 Note 2) When specifying more than one option, combine symbols in alphabetical order.

Series VQZ

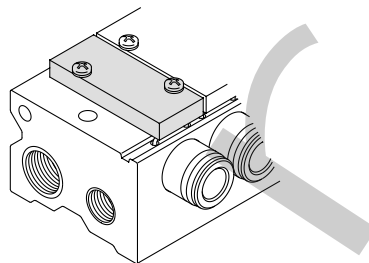
3 Port Solenoid Valve

Manifold Options

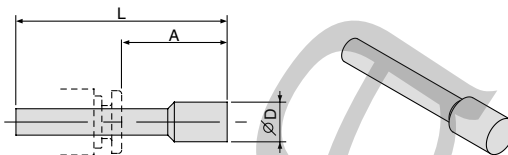
Manifold Options

Blank plate ass'y
VVQZ100-10A-5
VVQZ200-10A-5
VVQZ300-10A-5

Use to reserve a valve mounting space on the manifold for future use.



Fitting plug
KQP-01
KQP-03
KQP-07
KQP-09
KQP-11



Dimensions

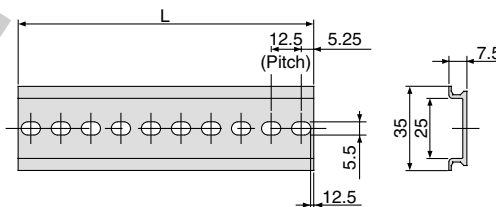
Applicable fitting size od	Part number	A	L	D
1/8	KQP-01	16	31.5	5
5/32	KQP-03	16	32	6
1/4	KQP-07	18	35	8.5
5/16	KQP-09	20.5	39	10
3/8	KQP-11	22	43	11.5

Used to block unused cylinder port.

DIN rail
AXT100-DR-

* Suffix the number from DIN rail dimensions table below. Refer to manifold dimension drawings for L dimension.

To order a manifold with DIN rail already attached, insert "D" at the end of the manifold part number. The DIN rail is approximately 30mm longer than the length of manifold.



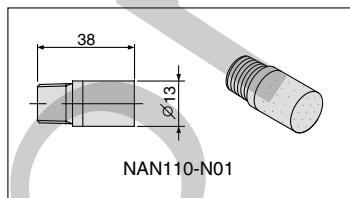
L dimensions

No.	1	2	3	4	5	6	7	8	9	10	11	12	13	14	15	16	17	18	19	20
L	23	35.5	48	60.5	73	85.5	98	110.5	123	135.5	148	160.5	173	185.5	198	210.5	223	235.5	248	260.5
No.	21	22	23	24	25	26	27	28	29	30	31	32	33	34	35	36	37	38	39	40
L	273	285.5	298	310.5	323	335.5	348	360.5	373	385.5	398	410.5	423	435.5	448	460.5	473	485.5	498	510.5

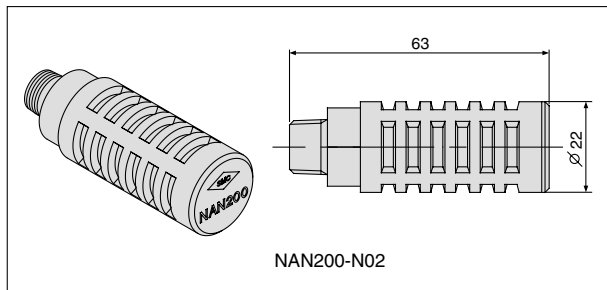
L=12.5n+10.5

EXH port silencer

Silencer is installed in the EXH port.



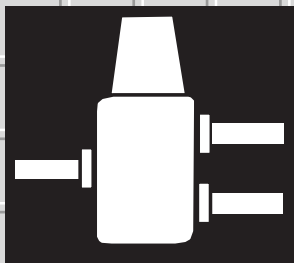
NAN110-N01



NAN200-N02

Dimensions

Type	Silencer P/N
VQZ100	NAN110-N01
VQZ200	NAN200-N02
VQZ300	NAN200-N02



Body Ported

Series VQZ100 • 200 • 300

■ Specifications

Valve	page 18
Manifold	page 19

■ How To Order

Valve	pages 20-21
Manifold	pages 22-23
Options	page 24

Series VQZ

3 Port Solenoid Valve

Standard Specifications



Standard Specifications

		Metal seal	Rubber seal	
Valve specifications	Type of seal	Metal seal	Rubber seal	
	Fluid	Air, Inert gas	Air, Inert gas	
	Max. operating pressure	100 psi (0.7MPa) High pressure type 113 psi (0.8MPa)		
	Min. operating pressure	14 psi (0.1MPa)	21 psi (0.15MPa)	
	Ambient and fluid temperature	14 to 122°F <small>Note 1)</small>	14 to 122°F <small>Note 1)</small>	
	Max. operating frequency	20Hz	5Hz	
	Proof pressure	217 psi (1.5MPa)		
	Lubrication	Not required		
	Manual override	Non-locking push type/Slotted locking type		
	Shock/Vibration resistance	150/30 m/s ²		
Enclosure	Dust proof			
Solenoid specifications	Coil rated voltage	12V, 24VDC; 110V, 220VAC		
	Allowable voltage range	±10% of rated voltage		
	Coil insurance	Class B		
	Power consumption (Current value)	24VDC	1WDC(42mA), 1.5WDC(63mA), 0.5WDC(21mA)	
		12VDC	1WDC(83mA), 1.5WDC(125mA), 0.5WDC(42mA)	
		110VAC	Inrush 1.3VA(11.7mA), Holding 1.3VA(11.7mA)	
220VAC		Inrush 2.6VA(11.7mA), Holding 2.6VA(11.7mA)		

Note 1) Use dry air to prevent dew condensation when operating at low temperature.

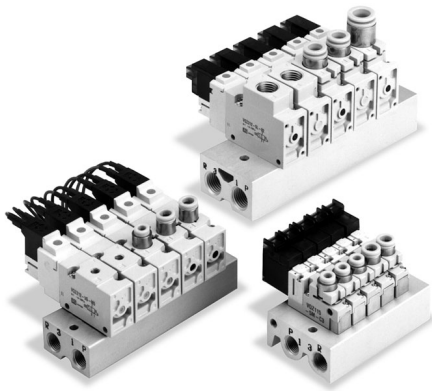
Model

Series	Valve construction	Type		Effective area mm ² (Cv) <small>Note 1)</small>	Response time ms <small>Note 2)</small>		Weight g <small>Note 3)</small>
					Standard: 1W High pressure: 1.5W	Low wattage and AC	
VQZ100	N.C.	Poppett	VQZ115	3.6(0.2)	10 or less	13 or less	25
VQZ200	N.C.	Metal seal	VQZ212	8.1(0.45)	14 or less	18 or less	58
		Rubber seal	VQZ232	10.8(0.6)	15 or less	20 or less	
	N.O.	Metal seal	VQZ222	7.2(0.4)	14 or less	18 or less	
		Rubber seal	VQZ242	10.8(0.6)	15 or less	20 or less	
VQZ300	N.C.	Metal seal	VQZ312	14.4(0.8)	17 or less	22 or less	92
		Rubber seal	VQZ332	16.2(0.9)	25 or less	33 or less	
	N.O.	Metal seal	VQZ322	13.5(0.75)	17 or less	22 or less	
		Rubber seal	VQZ342	16.2(0.9)	25 or less	33 or less	

Note 1) Value for sub-plate with maximum port size.

Note 2) The response time is subject to the pressure and the air quality. The values are given for double types.

Note 3) Weight without sub-plate



Manifold Specification

Series	Base model	Piping specification		Application valve	Applicable stations	Manifold base weight g
		Piping	Port size			
			1(P), 3(R)	2(A)		
VQZ100	VV3QZ12- [] [] [] [] []	Top	1/8 NPTF	N1T (ø1/8) N3T (ø5/32) N7T (ø1/4) M5 (M5 thread)	VQZ115	2 to 20 stations 2 stations: 83 Addition per 1 station: 19
VQZ200	VV3QZ22- [] [] [] [] []	Top	1/8 NPTF	N3T (ø5/32) N7T (ø1/4) M5 (M5 thread)	VQZ2 [] 2	2 to 20 stations 2 stations: 68 Addition per 1 station: 20
VQZ300	VV3QZ32- [] [] [] [] []	Top	1/4 NPTF	N7T (ø1/4) N9T ø5/16) N11T (ø3/8) 1/4 NPTF	VQZ3 [] 2	2 to 20 stations 2 stations: 114 Addition per 1 station: 37

How to Order / Manifold Assembly (Example)

VV3QZ22-05C = 1 pc.—5 station manifold base
 VVQZ200-10A-2 = 1 pc.—Blank plate assembly
 VQZ212-5M-N7T = 4 pcs—Valve

Series VQZ

How To Order

How To Order: VQZ100 Body Ported Valve For Direct Piping

 Preferred
Option
Program

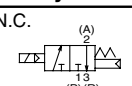
VQZ 1 1 5 — **5 L** — **N7T** — **PR**

Series

1	VQZ100 Body width 10mm
---	------------------------

Symbol

1	N.C.	(A) 2
		1 3 (P)(R)



Function

—	Standard type (1.0W)
H ^{Note 1)}	High pressure type (1.5W)
Y ^{Note 1)}	Low wattage type (0.5W)
R	External pilot

Note 1) Applicable to DC specification
Note 2) When specifying more than one option, combine symbols in alphabetical order.

Bracket

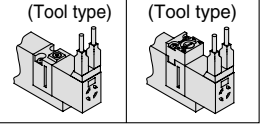
—	None
F	With bracket

Port size {2(A) port}

N1	One-touch fitting for 1/8"
N3	One-touch fitting for 5/32"
N7	One-touch fitting for 1/4"
M5	M5 thread

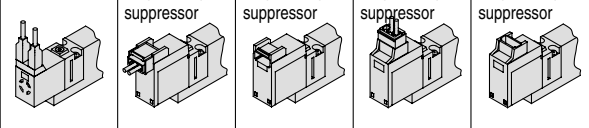
Manual override

N11 -Non-locking push type (Tool type)	B -Slotted locking type (Tool type)
---	--



Electrical entry

G-Grommet (DC specification)	L-L type plug connector with lead wire	LO-L type plug terminal without connector	M-M type plug connector with lead wire	MO-M type plug terminal without connector
	With light and surge voltage suppressor	With light and surge voltage suppressor	With light and surge voltage suppressor	With light and surge voltage suppressor



Note) Standard lead wire length: 300mm

Coil voltage

1	100VAC(50/60Hz)
2	200VAC(50/60Hz)
3	110VAC(50/60Hz)
4	220VAC(50/60Hz)
5	24VDC
6	12VDC
9	Others

How To Order: VQZ200/300 Body Ported Valve For Direct Piping



Preferred Option Program

Series

2	VQZ200 Body width 15mm
3	VQZ300 Body width 18mm

Symbol

1	N.C. (A) 2	Metal seal
	(R) (P) 3 1	
2	N.O. (A) 2	Metal seal
	(R) (P) 3 1	
3	N.C. (A) 2	Rubber seal
	(R) (P) 3 1	
4	N.O. (A) 2	Rubber seal
	(R) (P) 3 1	

Bracket

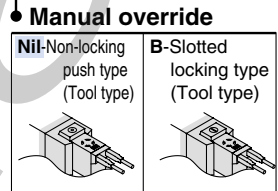
—	None
F	With bracket

Port size {2(A) port}

Symbol	Port size	VQZ200	VQZ300
N3T	One-touch fitting for 5/32"	○	—
N7T	One-touch fitting for 1/4"	○	○
N9T	One-touch fitting for 5/16"	—	○
N11T	One-touch fitting for 3/8"	—	○
M5T	M5 thread	○	—
O2T	1/4 NPTF	—	○

IP65 Option (Y, YZ only)

—	Standard
W	IP65 rated



Function

—	Standard type (1.0W)
H ^{Note 1)}	High pressure type (1.5W)
Y ^{Note 1)}	Low wattage type (0.5W)
R	External pilot

Note 1) Applicable to DC specification
 Note 2) When specifying more than one option, combine symbols in alphabetical order.

Electrical entry

G-Grommet (DC Specification)	L-L type plug connector with lead wire	LO-L type plug terminal without connector	M-M type plug connector with lead wire	MO-M type plug terminal without connector
	With light and surge voltage suppressor 	With light and surge voltage suppressor 	With light and surge voltage suppressor 	With light and surge voltage suppressor
Y -DIN connector 	YO -DIN terminal without connector 	YZ -DIN connector 	YOS -DIN terminal without connector 	
		With light and surge voltage suppressor 	With surge voltage suppressor 	

Note) Standard lead wire length: 300mm

Coil voltage

1	100VAC(50/60Hz)
2	200VAC(50/60Hz)
3	110VAC(50/60Hz)
4	220VAC(50/60Hz)
5	24VDC
6	12VDC
9	Others

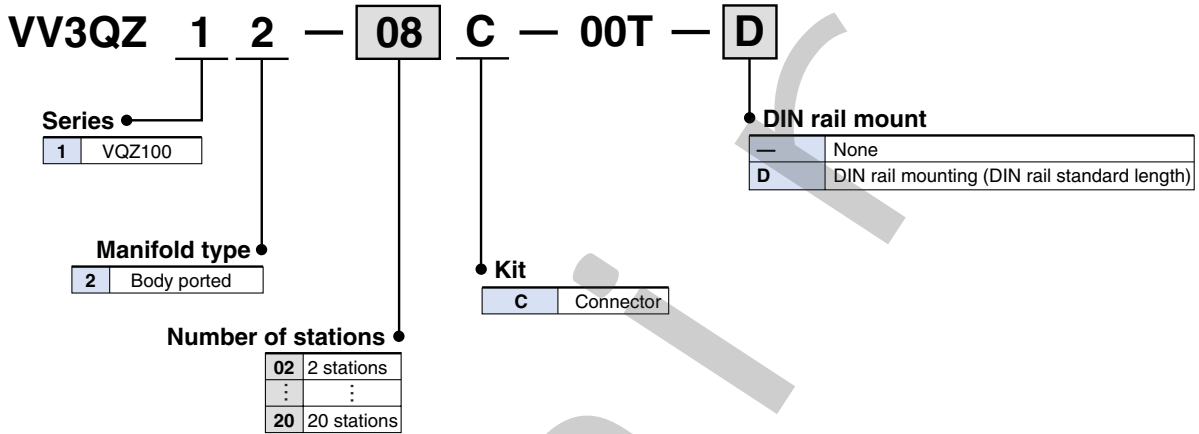
Series VQZ

How To Order

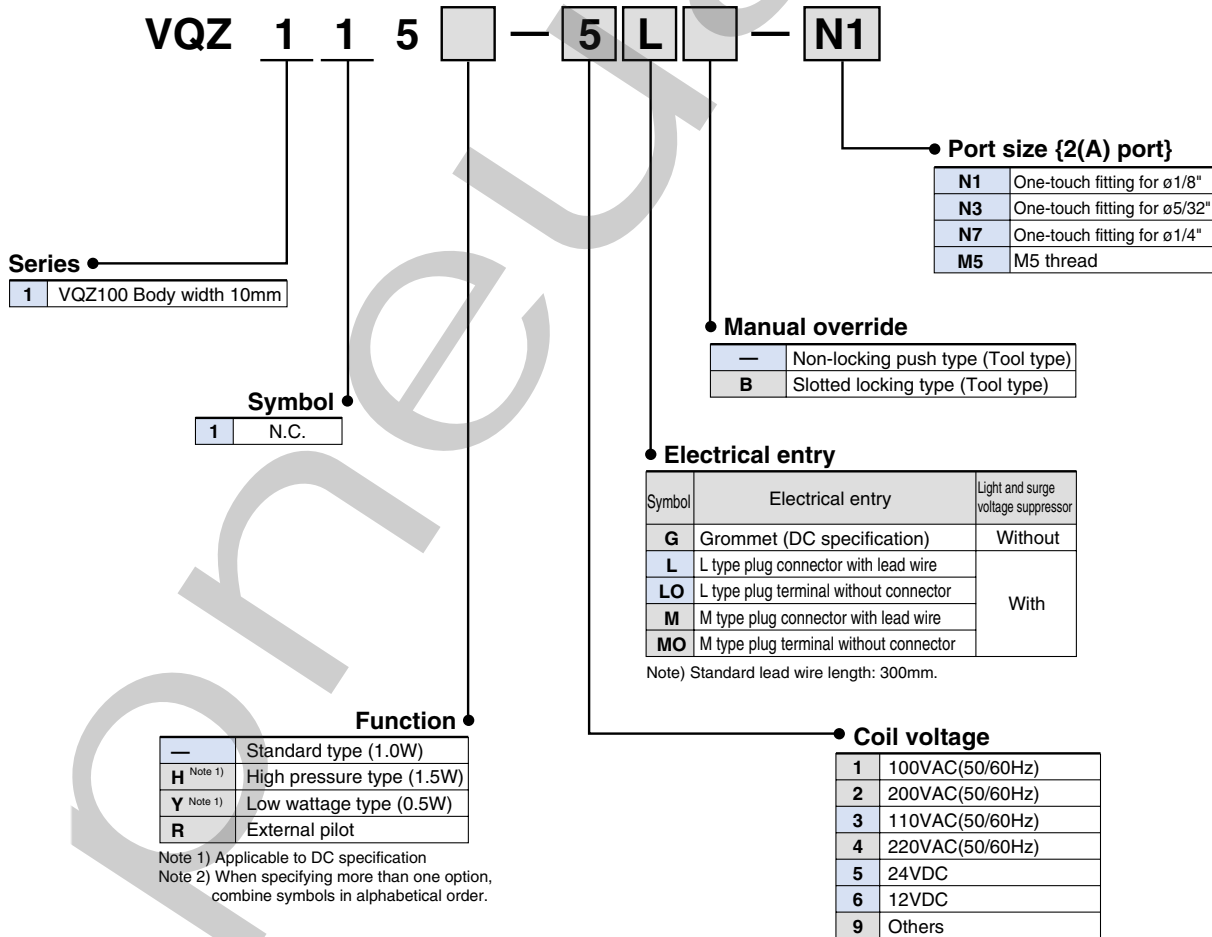
Manifold Connector Kit

How To Order: VQZ100 Body Ported Manifold

 Preferred Option Program



How To Order: VQZ100 Body Ported Valve For Manifolding



How To Order: VQZ200/300 Body Ported Manifold

VV3QZ 2 2 — 08 C — 00T —

Series

2	VQZ200
3	VQZ300

DIN rail mount

—	None
D	DIN rail mounting (DIN rail standard length)

Number of stations

02	2 stations
:	:
20	20 stations

Kit

C	Connector
---	-----------



How To Order: VQZ200/300 Body Ported Valve For Manifolding

VQZ 2 1 2 — 5 L — N7T

Series

2	VQZ200 Body width 15mm
3	VQZ300 Body width 18mm

Symbol

1	N.C. Metal seal
2	N.O. Metal seal
3	N.C. Rubber seal
4	N.O. Rubber seal

Port size {2(A) port}

Symbol	Port size	VQZ200	VQZ300
N3T	One-touch fitting for ø5/32"	○	—
N7T	One-touch fitting for ø1/4"	○	○
N9T	One-touch fitting for ø5/16"	—	○
N11T	One-touch fitting for ø3/8"	—	○
M5T	M5 thread	○	—
02T	1/4 NPTF	—	○

IP65 Option (Y, YZ only)

—	Standard
W	IP65 rated

Manual override

—	Non-locking push type (Tool type)
B	Slotted locking type (Tool type)

Electrical entry

Symbol	Electrical entry	Light and surge voltage suppressor
G	Grommet (DC specification)	Without
L	L type plug connector with lead wire	With
LO	L type plug terminal without connector	
M	M type plug connector with lead wire	
MO	M type plug terminal without connector	
Y	DIN connector	Without
YO	DIN terminal without connector	
YZ	DIN connector	
YOS	DIN terminal without connector	With(Without light)

Note) Standard lead wire length: 300mm

Function

—	Standard type (1.0W)
H	High pressure type (1.5W)
Y	Low wattage type (0.5W)
R	External pilot type

Note 1) Applicable to DC specification
 Note 2) When specifying more than one option, combine symbols in alphabetical order.

Coil voltage

1	100VAC(50/60Hz)
2	200VAC(50/60Hz)
3	110VAC(50/60Hz)
4	220VAC(50/60Hz)
5	24VDC
6	12VDC
9	Others

Series VQZ

3 Port Solenoid Valve

Manifold Options

Manifold Options

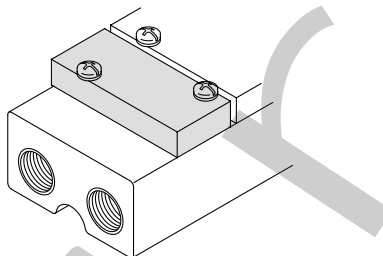
Blank plate

VVQZ100-10A-2

VVQZ200-10A-2

VVQZ300-10A-2

Used to reserve a valve mounting space on the manifold for future use.



Fitting plug

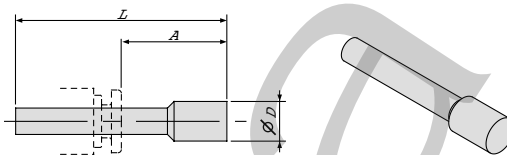
KQP-01

KQP-03

KQP-07

KQP-09

KQP-11



Used to block unused cylinder port.

Dimensions

Applicable fitting size ød	Part number	A	L	D
1/8	KQP-01	16	31.5	5
5/32	KQP-03	16	32	6
1/4	KQP-07	18	35	8.5
5/16	KQP-09	20.5	39	10
3/8	KQP-11	22	43	11.5

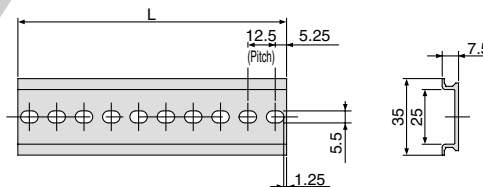
DIN rail

AXT100-DR-

* Suffix number into from the dimension table below.
Refer to each manifold dimensions for L dimension.

To order a manifold with DIN rail already attached, insert "D" at the end of the manifold part number.

The DIN rail is approximately 30mm longer than the length of manifold.



L dimension

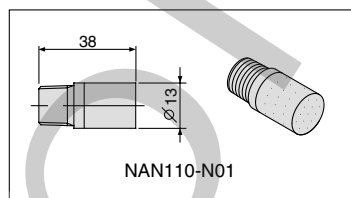
No.	1	2	3	4	5	6	7	8	9	10	11	12	13	14	15	16	17	18	19	20
L	23	35.5	48	60.5	73	85.5	98	110.5	123	135.5	148	160.5	173	185.5	198	210.5	223	235.5	248	260.5

No.	21	22	23	24	25	26	27	28	29	30	31	32	33	34	35	36	37	38	39	40
L	273	285.5	298	310.5	323	335.5	348	360.5	373	385.5	398	410.5	423	435.5	448	460.5	473	485.5	498	510.5

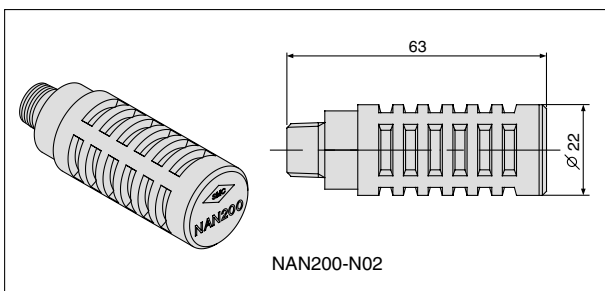
$L=12.5n+10.5$

EXH port silencer

Silencer is installed in the EXH port.

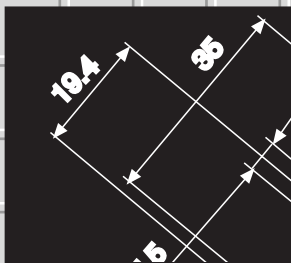


NAN110-N01



NAN200-N02

Model	Silencer P/N
VQZ100	NAN110-N01
VQZ200	NAN110-N01
VQZ300	NAN200-N02



Technical Reference

Series VQZ100 • 200 • 300

■ Base Mounted Drawings

Construction	page 26
Valve	pages 27-29
Manifold	pages 30-32

■ Body Ported Drawings

Construction	page 33
Valve	pages 34-36
Manifold	pages 37-39

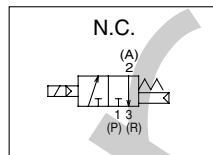
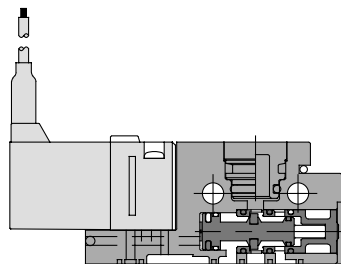
■ Operations Guide	pages 41-47
--------------------------	-------------

Series VQZ

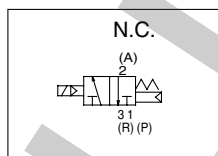
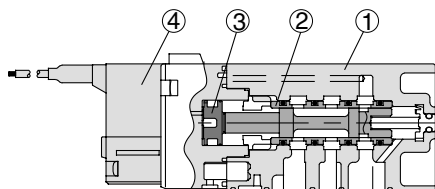
Base Mounted Type

Construction

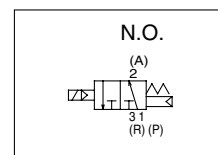
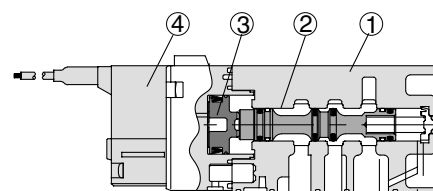
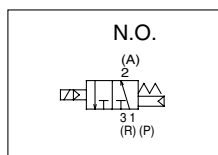
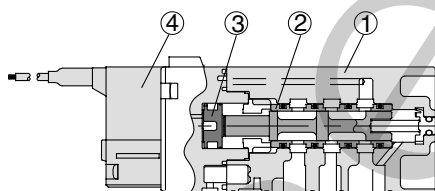
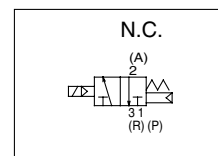
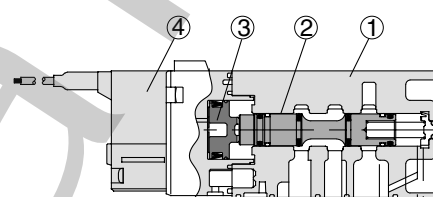
VQZ100 Poppet type



VQZ200/300 Metal seal type



Rubber seal type



Parts list

No.	Description	Material	Note
1	Body	Aluminum die cast	
2	Spool/Sleeve	Stainless steel	Metal seal
	Spool valve	Aluminum/NBR	Rubber seal
3	Piston	Resin	
4	Pilot valve	—	

Subplate	Part Numbers
VQZ100 1/8"	VQZ100-S-01T
VQZ200 1/8"	VQZ200-S-01T
VQZ200 1/4"	VQZ200-S-02T
VQZ300 1/4"	VQZ300-S-02T
VQZ300 3/8"	VQZ300-S-03T

Base Mounted Type

Series VQZ

Dimensions: VQZ100

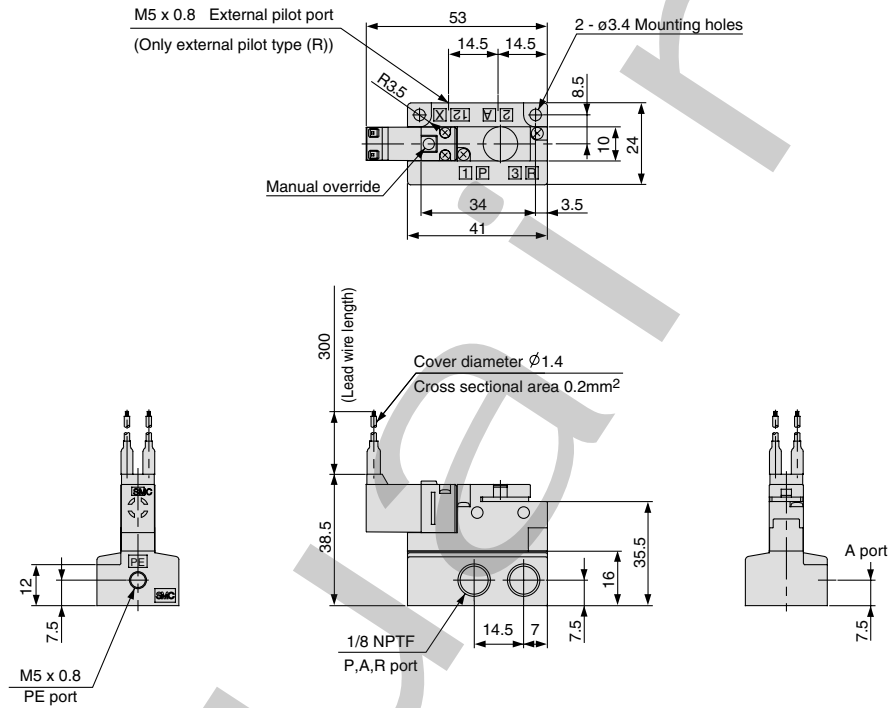
(mm)

Scale: 45%

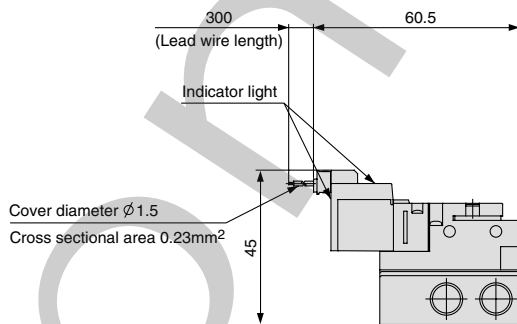
Dimensions: VQZ100

Valve

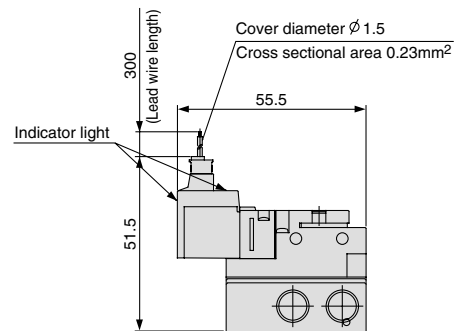
Grommet (G): VQZ115(R)-G-01T



L type plug connector (L): VQZ115(R)-L-01T



M type plug connector (M): VQZ115(R)-M-01T



Series VQZ

Base Mounted Type

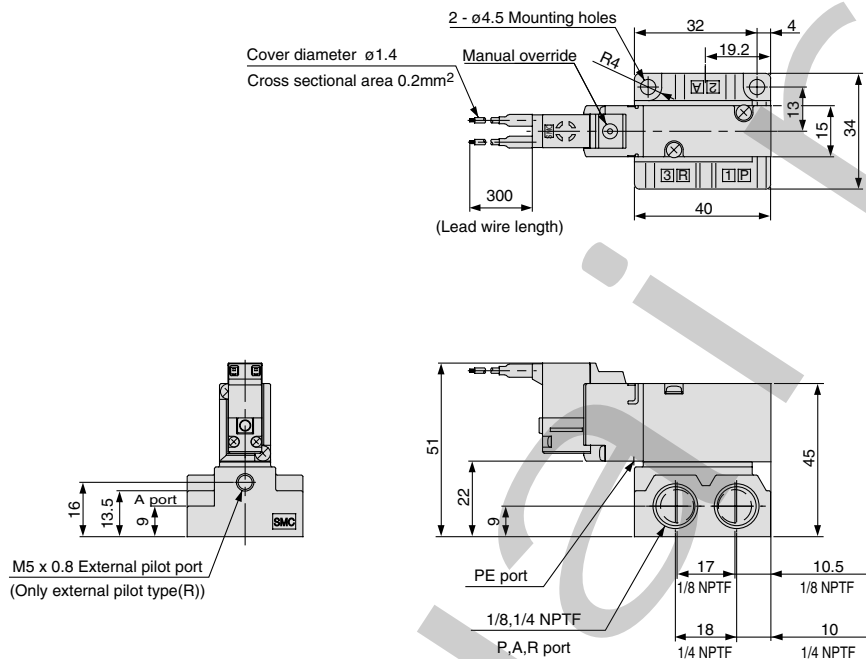
Dimensions: VQZ200

Dimensions: VQZ200

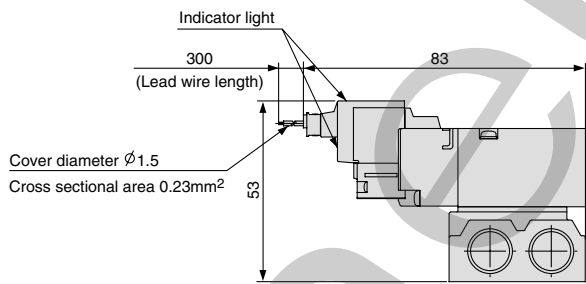
Valve

Grpmmet (G): VQZ2□5(R)-□G□-01T
02T

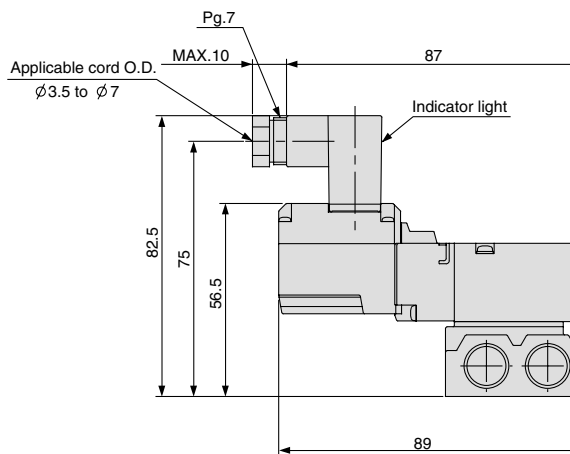
Scale: 45%



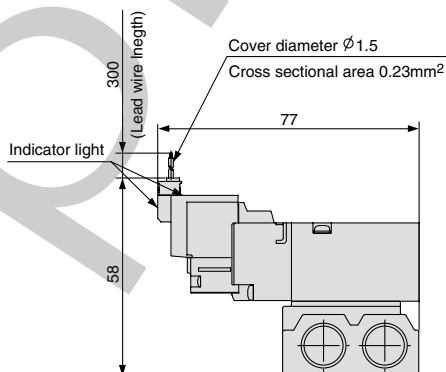
L type plug connector (L): VQZ2□5(R)-□L□-01T 02T



DIN connector (Y): VQZ2□5(R)-□Y□-01T 02T



M type plug connector (M): VQZ2□5(R)-□M□-01T 02T



Base Mounted Type

Series VQZ

Dimensions: VQZ300

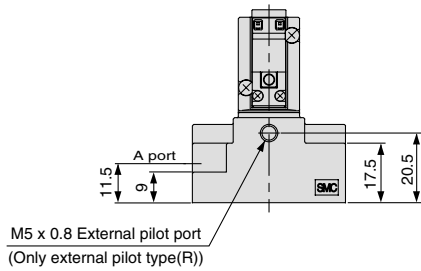
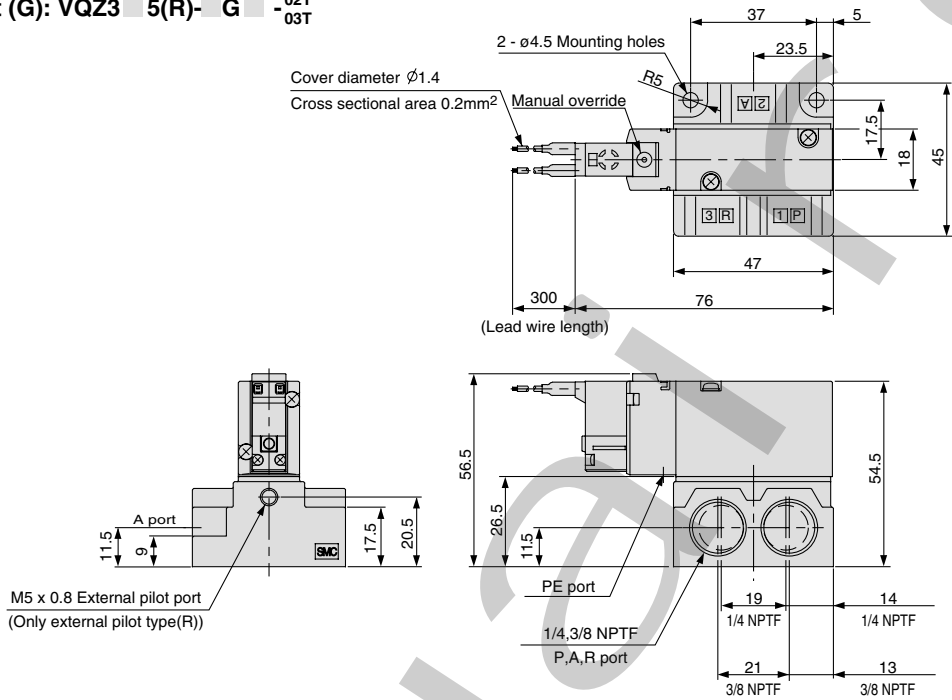
(mm)

Scale: 45%

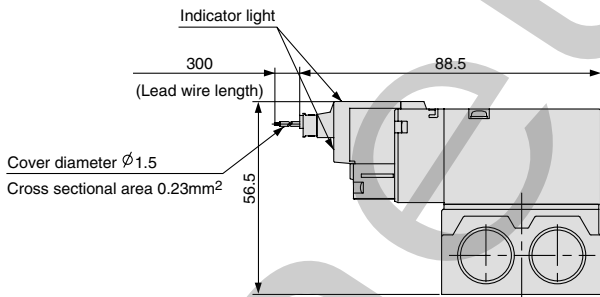
VQZ300

Valve

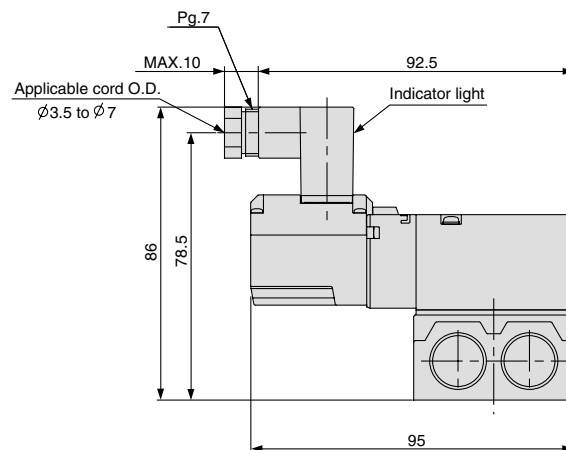
Grommet (G): VQZ3 5(R)-G -02T
03T



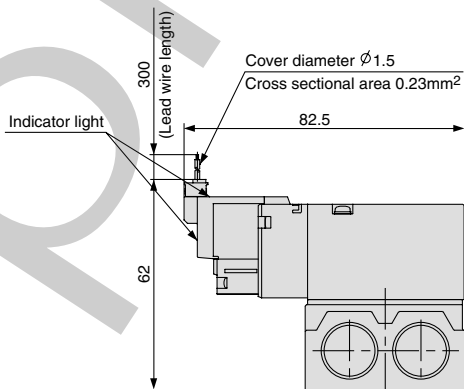
L type plug connector (L): VQZ3 5(R)-L -02T
03T



DIN connector (Y): VQZ3 5(R)-Y -02T
03T



M type plug connector (M): VQZ3 5(R)-M -02T
03T



Series VQZ

Base Mounted Type

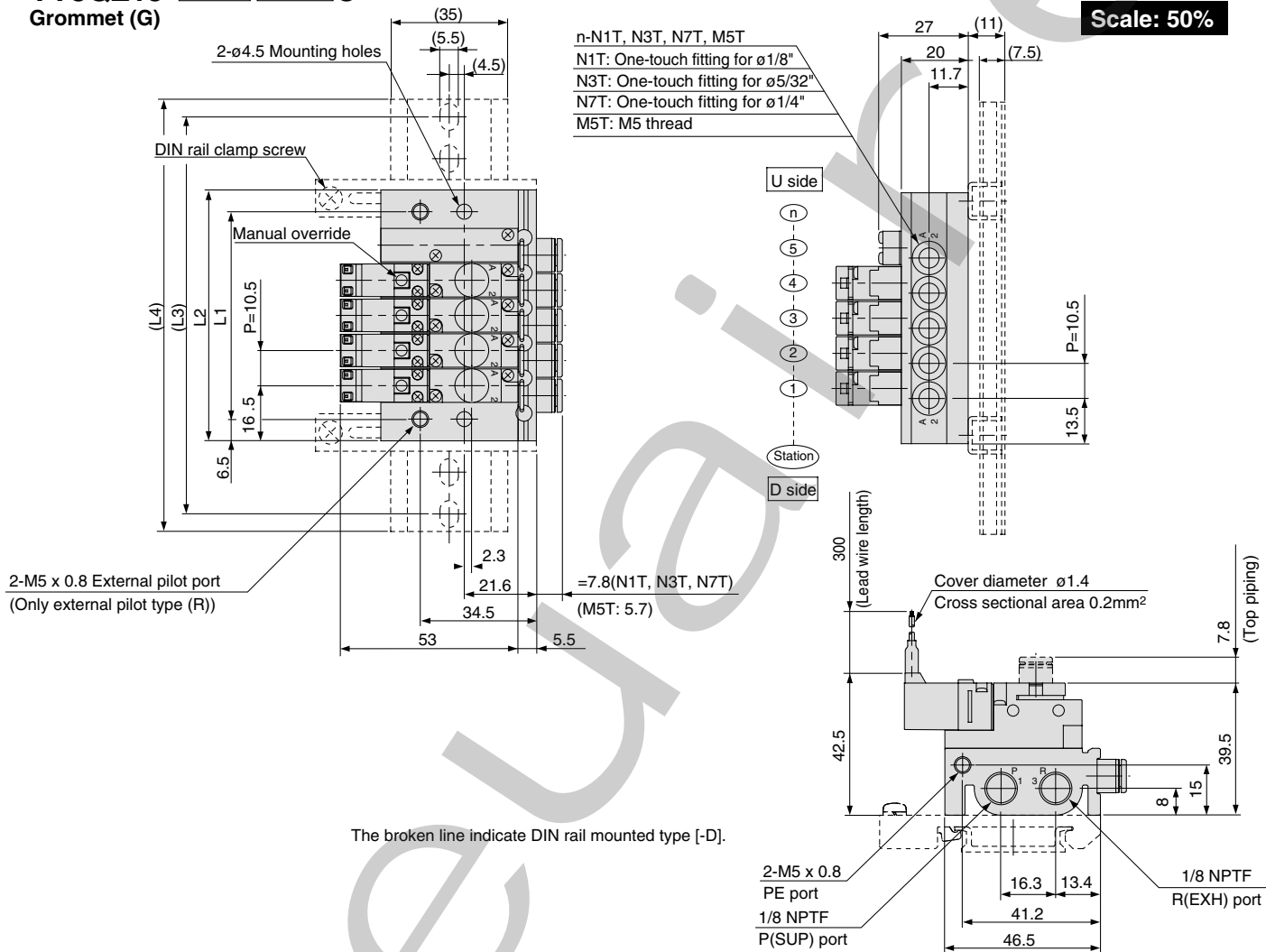
Dimensions: VQZ100

Dimensions: VQZ100

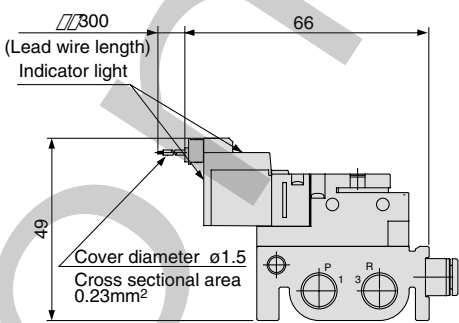
(mm)

VV3QZ15- Stations Port size C
Grommet (G)

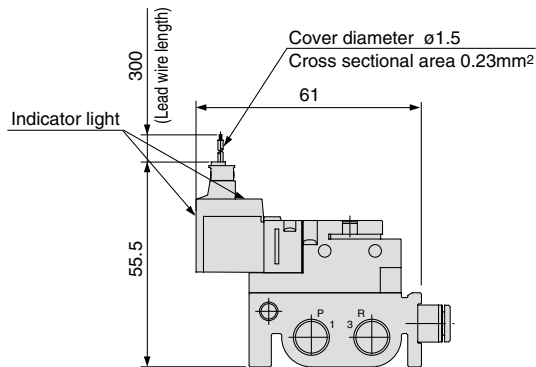
Scale: 50%



L type plug connector (L)



M type plug connector (M)



Dimensions

Equation L1=10.5n+9.5 L2=10.5n+22.5

n : Stations (Max. 20 stations)

L \ n	2	3	4	5	6	7	8	9	10	11	12	13	14	15	16	17	18	19	20
L1	30.5	41	51.5	62	72.5	83	93.5	104	114.5	125	135.5	146	156.5	167	177.5	188	198.5	209	219.5
L2	43.5	54	64.5	75	85.5	96	106.5	117	127.5	138	148.5	159	169.5	180	190.5	201	211.5	222	232.5
L3	75	75	87.5	100	112.5	125	137.5	137.5	150	162.5	175	187.5	200	200	212.5	225	237.5	250	262.5
L4	85.5	85.5	98	110.5	123	135.5	148	148	160.5	173	185.5	198	210.5	210.5	223	235.5	248	260.5	273

Base Mounted Type

Series VQZ

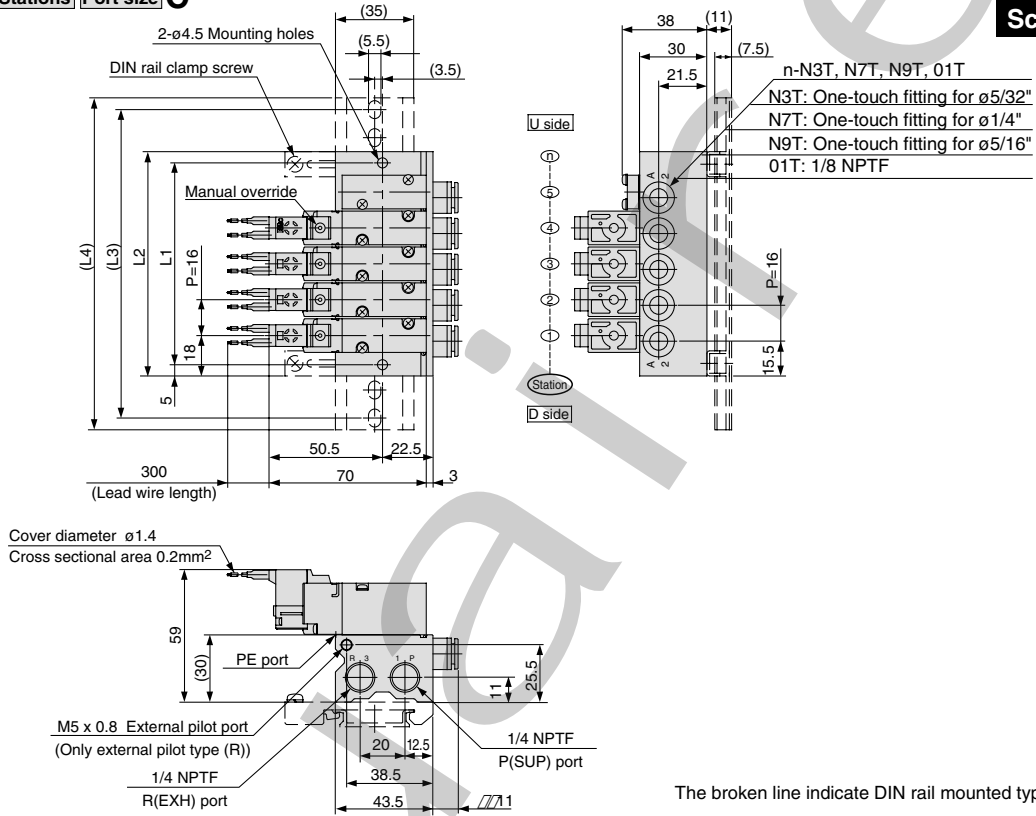
Dimensions: VQZ200

(mm)

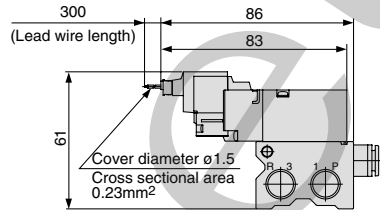
Dimensions: VQZ200

VV3QZ25- Stations Port size C
Grommet (G)

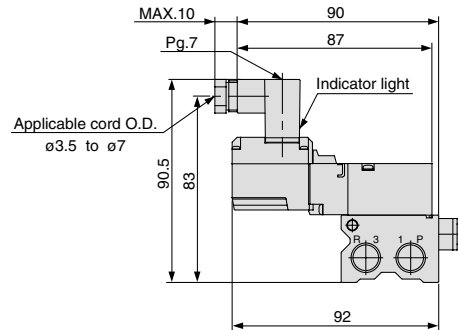
Scale: 30%



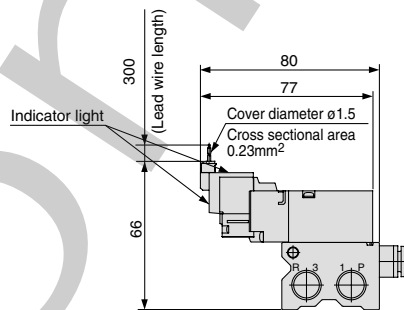
L type plug connector (L)



DIN connector (Y)



M type plug connector (M)



Dimensions Equation L1=16n+10 L2=16n+20

n: Stations (Max. 20 stations)

L \ n	2	3	4	5	6	7	8	9	10	11	12	13	14	15	16	17	18	19	20
L1	42	58	74	90	106	122	138	154	170	186	202	218	234	250	266	282	298	314	330
L2	52	68	84	100	116	132	148	164	180	196	212	228	244	260	276	292	308	324	340
L3	75	87.5	112.5	125	137.5	162.5	175	187.5	200	225	237.5	250	275	287.5	300	312.5	337.5	350	362.5
L4	85.5	98	123	135.5	148	173	185.5	198	210.5	235.5	248	260.5	285.5	298	310.5	323	348	360.5	373

Series VQZ

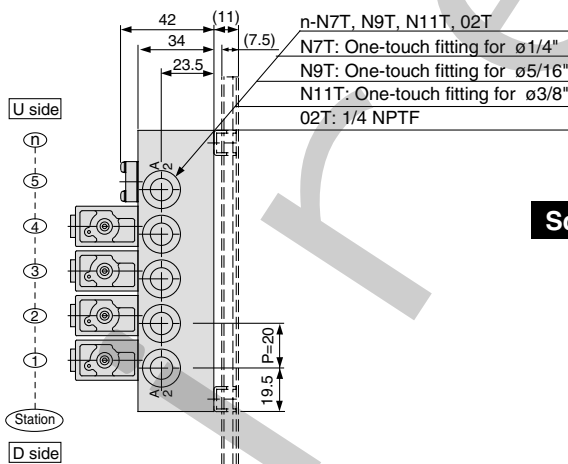
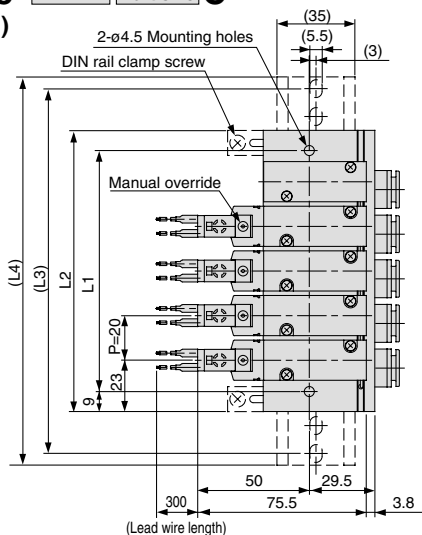
Base Mounted Type

Dimensions: VQZ300

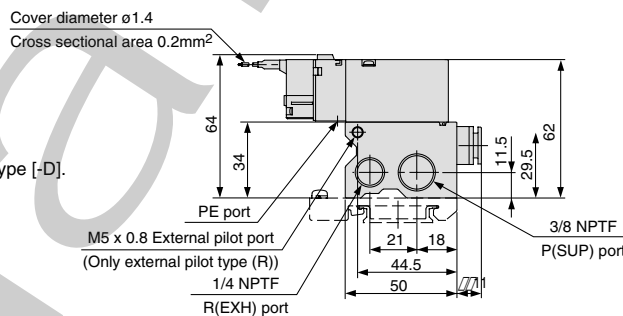
VQZ300

(mm)

VV3QZ35- Stations Port size C
Grommet (G)

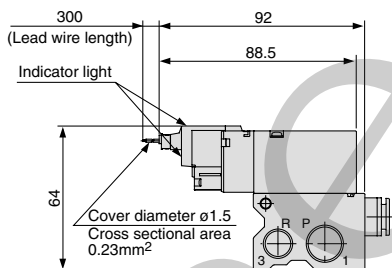


Scale: 30%

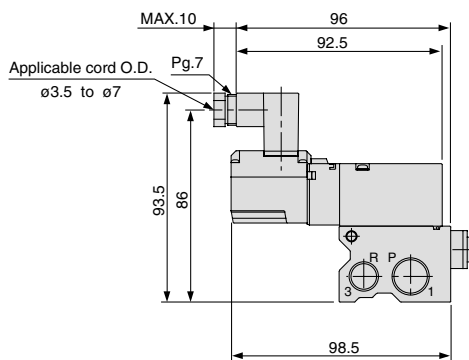


The broken line indicate DIN rail mounted type [-D].

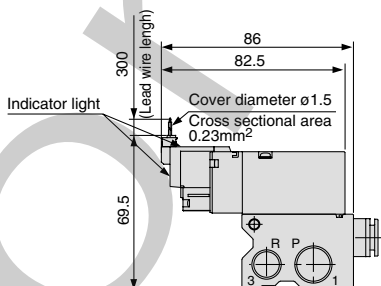
L type plug connector (L)



DIN connector (Y)



M type plug connector (M)



Dimensions

Equation L1=20n+8 L2=20n+26

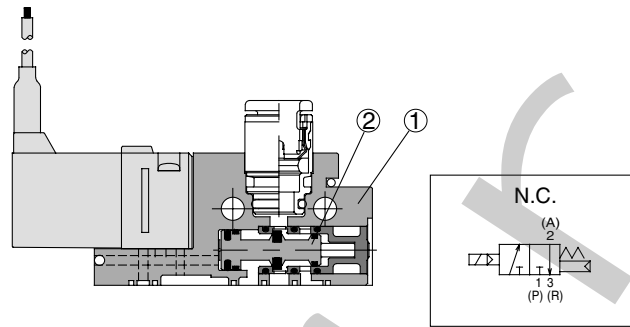
n: Stations (Max. 20 stations)

L \ n	2	3	4	5	6	7	8	9	10	11	12	13	14	15	16	17	18	19	20
L1	48	68	88	108	128	148	168	188	208	228	248	268	288	308	328	348	368	388	408
L2	66	86	106	126	146	166	186	206	226	246	266	286	306	326	346	366	386	406	426
L3	87.5	112.5	137.5	150	175	187.5	212.5	237.5	250	275	287.5	312.5	337.5	350	375	387.5	412.5	437.5	450
L4	98	123	148	160.5	185.5	198	223	248	260.5	285.5	298	323	348	360.5	385.5	398	423	448	460.5

Construction

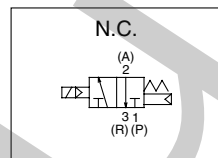
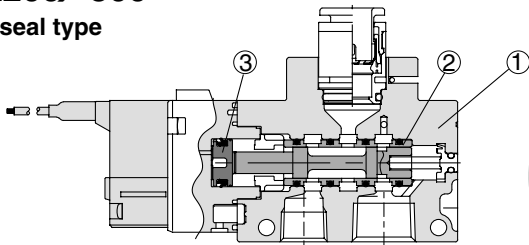
VQZ100

Poppet type

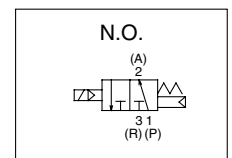
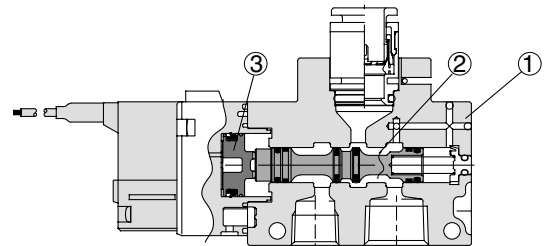
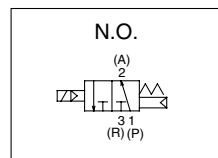
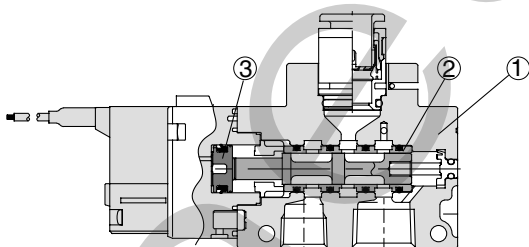
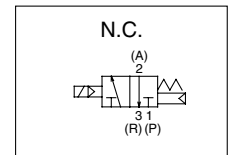
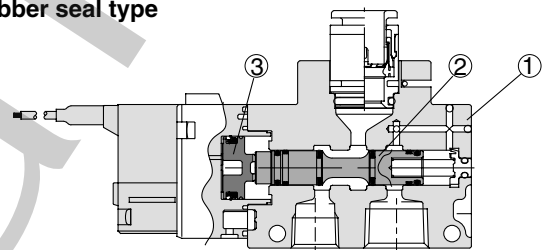


VQZ200/300

Metal seal type



Rubber seal type



Parts list

No.	Description	Material	Note
1	Body	Aluminum die cast	
2	Spool/Sleeve	Stainless steel	Metal seal
	Spool valve	Aluminum/NBR	Rubber seal
3	Piston	Resin	
4	Pilot valve	—	

Series VQZ

Body Ported Type

Dimensions: VQZ100

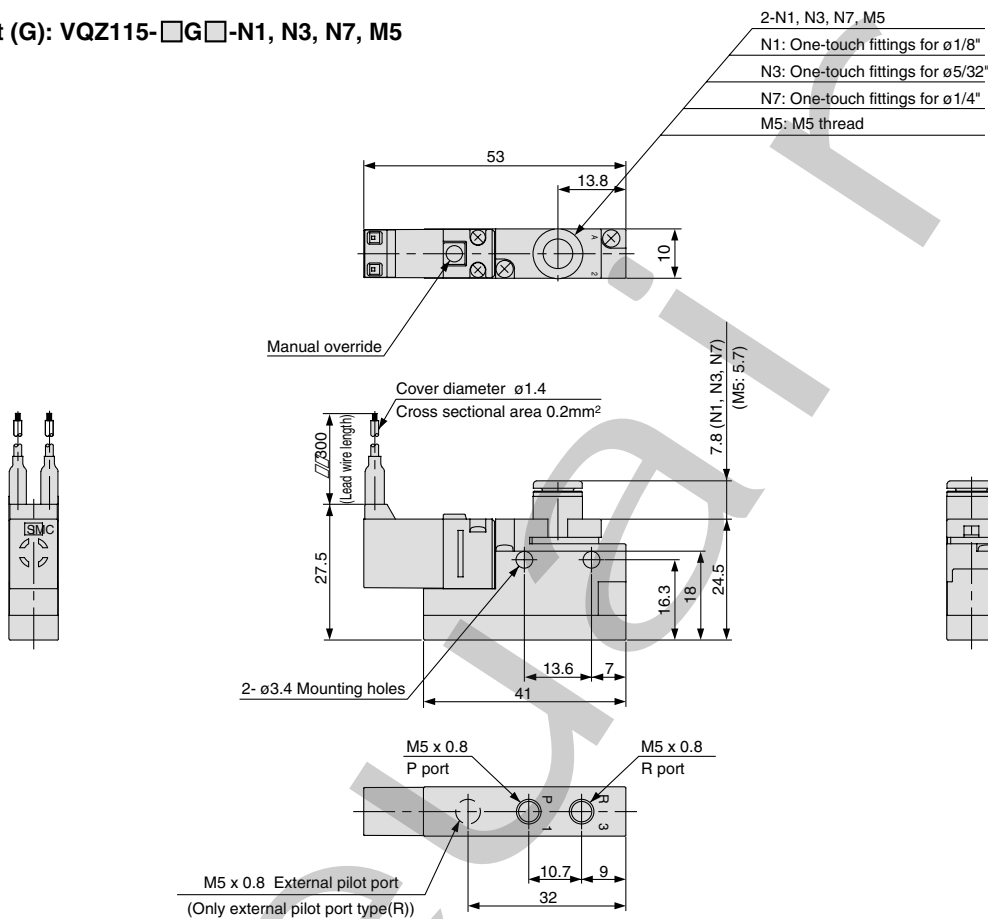
Dimensions: VQZ100

(mm)

Valve

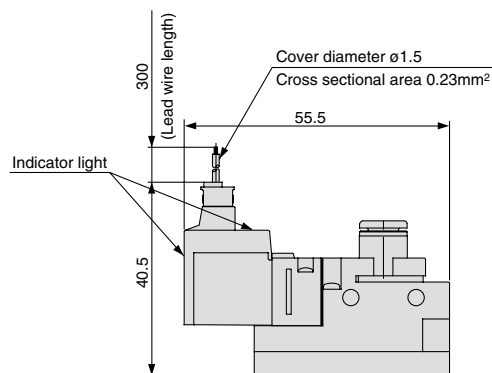
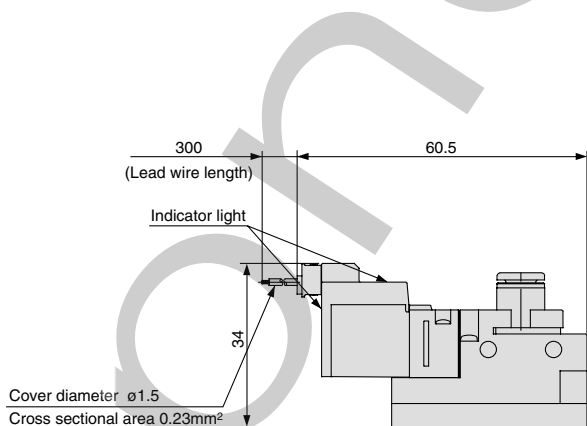
Grommet (G): VQZ115-□G□-N1, N3, N7, M5

Scale: 65%



L type plug connector (L): VQZ115-□L□-N1, N3, N7, M5

M type plug connector (M): VQZ115-□M□-N1, N3, N7, M5

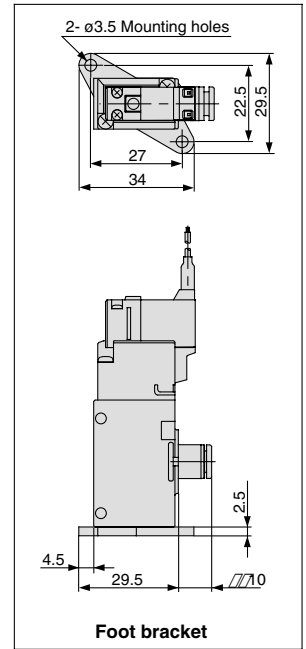
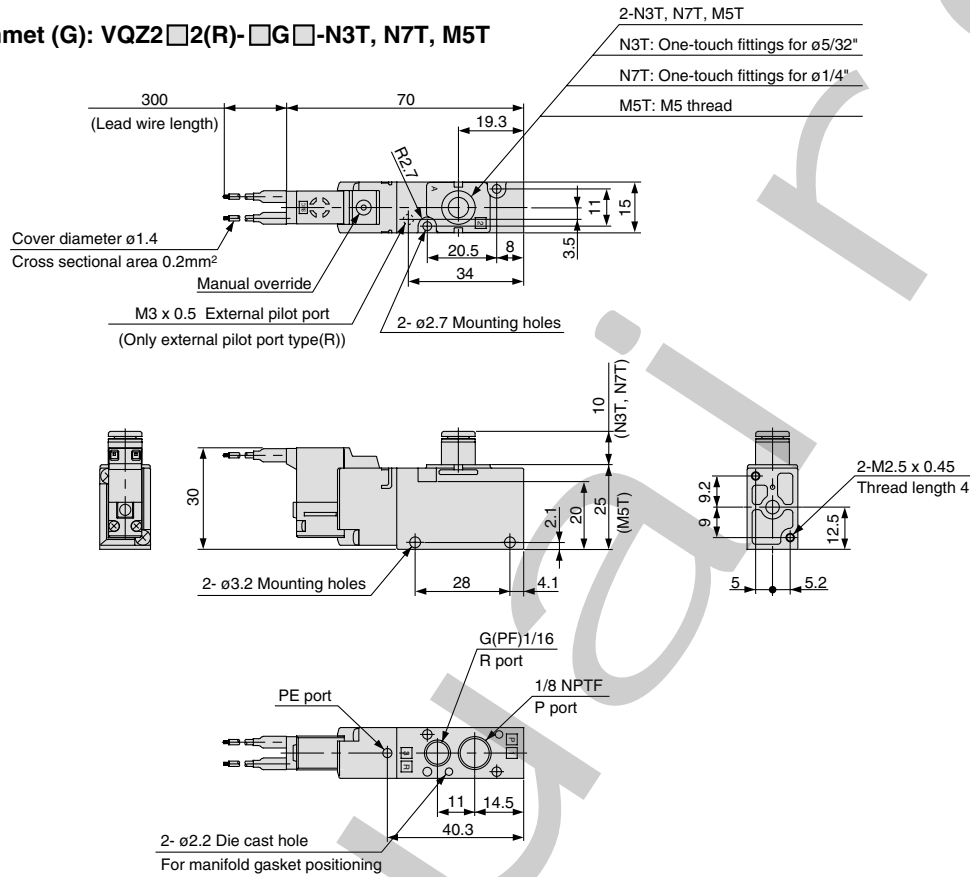


Body Ported Type

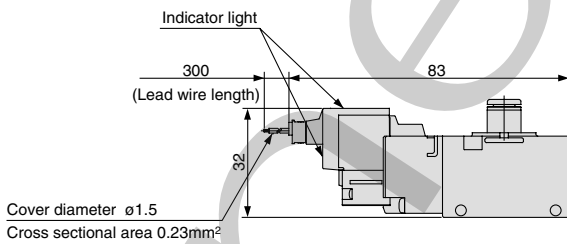
VQZ200

Valve

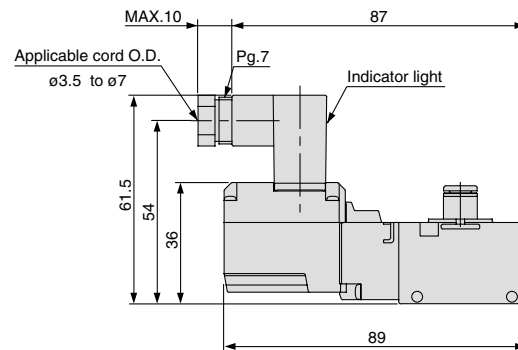
Grommet (G): VQZ2□2(R)-□G□-N3T, N7T, M5T



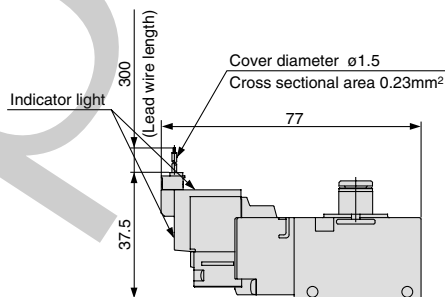
L type plug connector (L): VQZ2□2(R)-□L□-N3T, N7T, M5T



DIN connector (Y): VQZ2□2(R)-□Y□-N3T, N7T, M5T



M type plug connector (M): VQZ2□2(R)-□M□-N3T, N7T, M5T



Series VQZ

Body Ported Type

VQZ300

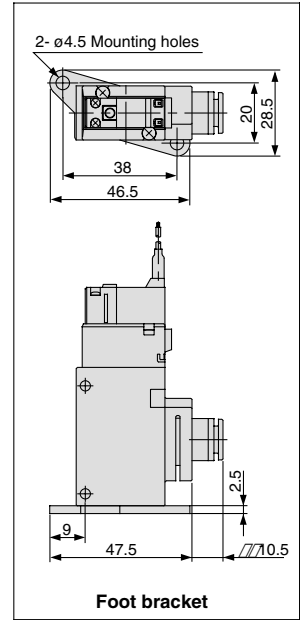
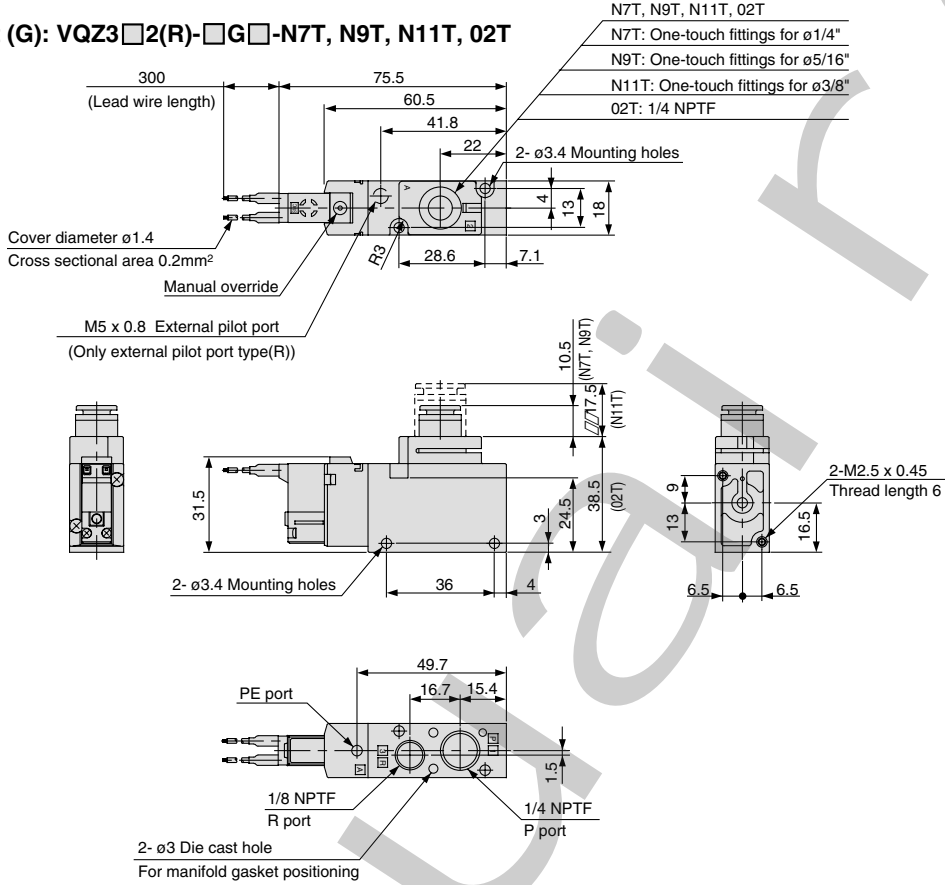
(mm)

Dimensions: VQZ300

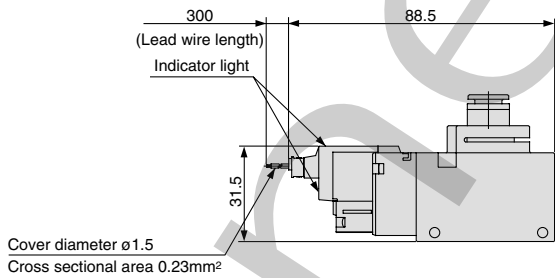
Valve

Scale: 40%

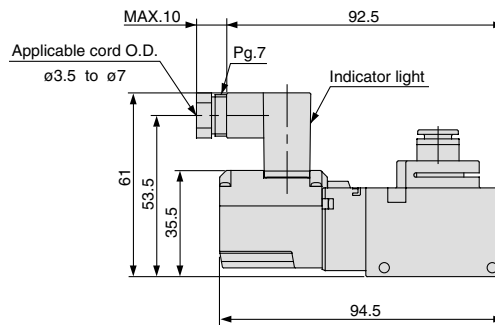
Grommet (G): VQZ3□2(R)-□G□-N7T, N9T, N11T, 02T



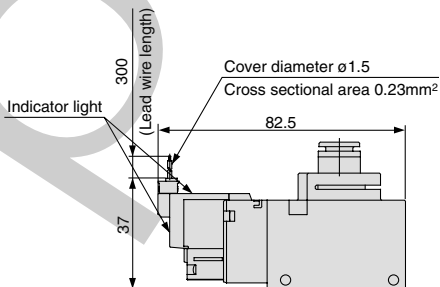
L type plug connector (L): VQZ3□2(R)-□L□-N7T, N9T, N11T, 02T



DIN connector (Y): VQZ3□2(R)-□Y□-N7T, N9T, N11T, 02T



M type plug connector (M): VQZ3□2(R)-□M□-N7T, N9T, N11T, 02T



Body Ported Type

Series VQZ

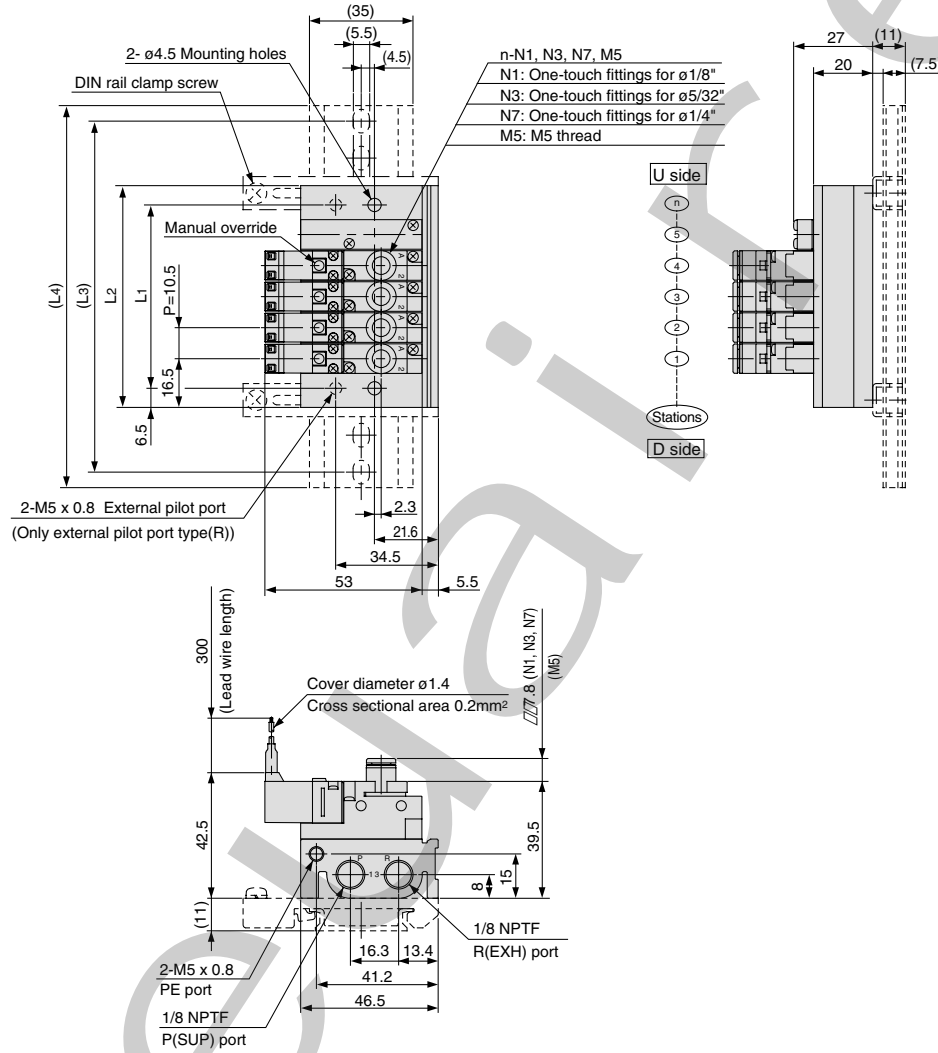
Dimensions: VQZ100 (mm)

Dimensions: VQZ100

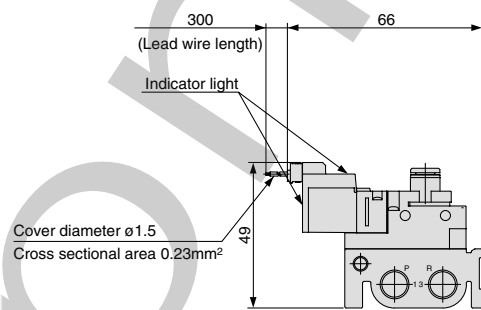
VV3QZ12- Stations C-00T

Scale: 40%

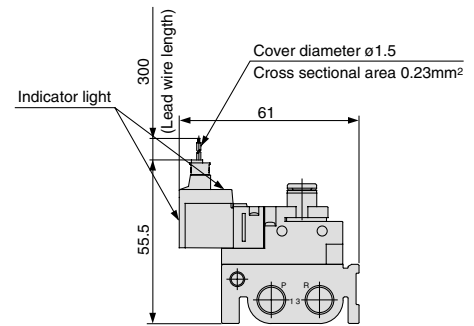
Grommet (G)



L type plug connector (L)



M type plug connector (M)



Dimensions Equation L1=10.5n+9.5 L2=10.5n+22.5

n: Stations (Max. 20 stations)

L	n	2	3	4	5	6	7	8	9	10	11	12	13	14	15	16	17	18	19	20
L1		30.5	41	51.5	62	72.5	83	93.5	104	114.5	125	135.5	146	156.5	167	177.5	188	198.5	209	219.5
L2		43.5	54	64.5	75	85.5	96	106.5	117	127.5	138	148.5	159	169.5	180	190.5	201	211.5	222	232.5
L3		75	75	87.5	100	112.5	125	137.5	137.5	150	162.5	175	187.5	200	200	212.5	225	237.5	250	262.5
L4		85.5	85.5	98	110.5	123	135.5	148	148	160.5	173	185.5	198	210.5	210.5	223	235.5	248	260.5	273

Series VQZ

Body Ported Type

Dimensions: VQZ200

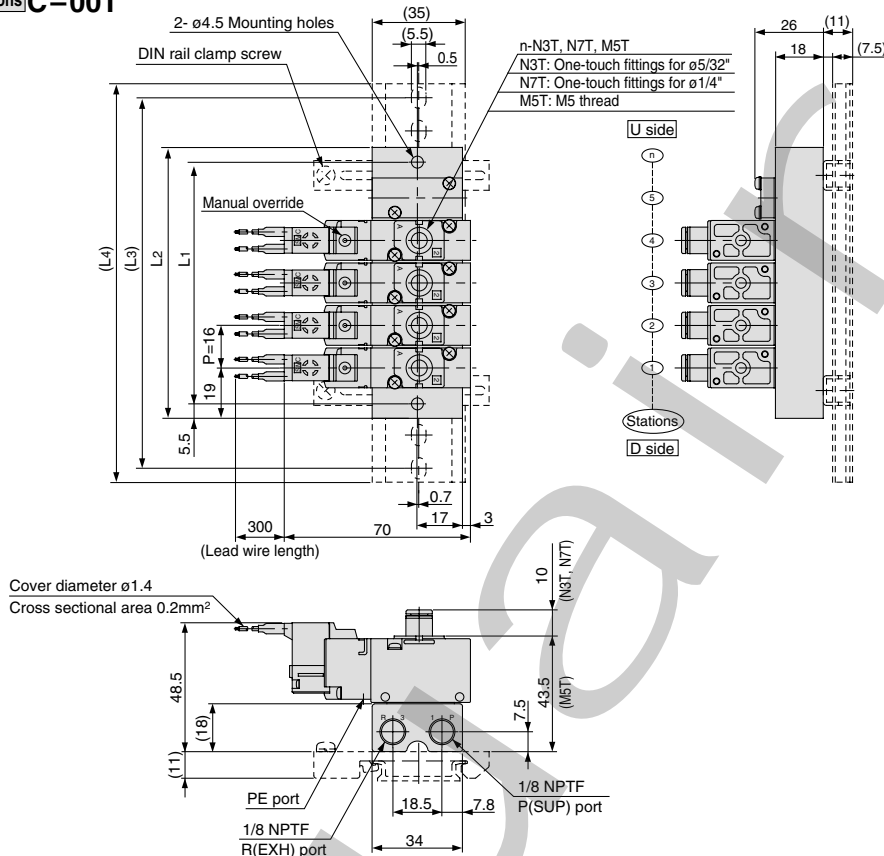
Dimensions: VQZ200

(mm)

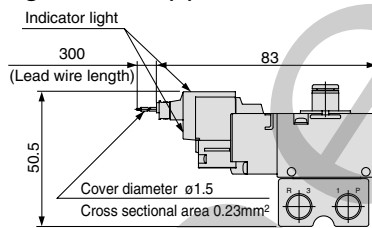
VV3QZ22- Stations C-00T

Grommet (G)

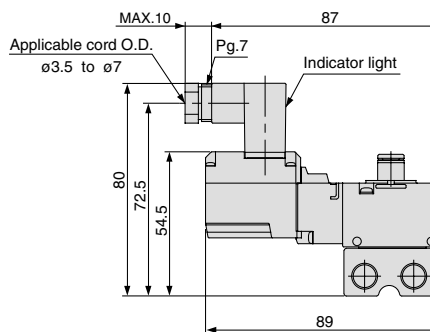
Scale: 35%



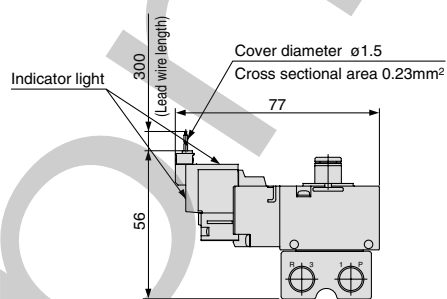
L type plug connector (L)



DIN connector (Y)



M type plug connector (M)



Dimensions

Equation $L1=16n+11$ $L2=16n+22$

n: Stations (Max. 20 stations)

L	n	2	3	4	5	6	7	8	9	10	11	12	13	14	15	16	17	18	19	20
L1	43	59	75	91	107	123	139	155	171	187	203	219	235	251	267	283	299	315	331	
L2	54	70	86	102	118	134	150	166	182	198	214	230	246	262	278	294	310	326	342	
L3	75	100	112.5	125	137.5	162.5	175	187.5	212.5	225	237.5	250	275	287.5	300	325	337.5	350	362.5	
L4	85.5	110.5	123	135.5	148	173	185.5	198	223	235.5	248	260.5	285.5	298	310.5	335.5	348	360.5	373	

Body Ported Type

Series VQZ

Dimensions: VQZ300

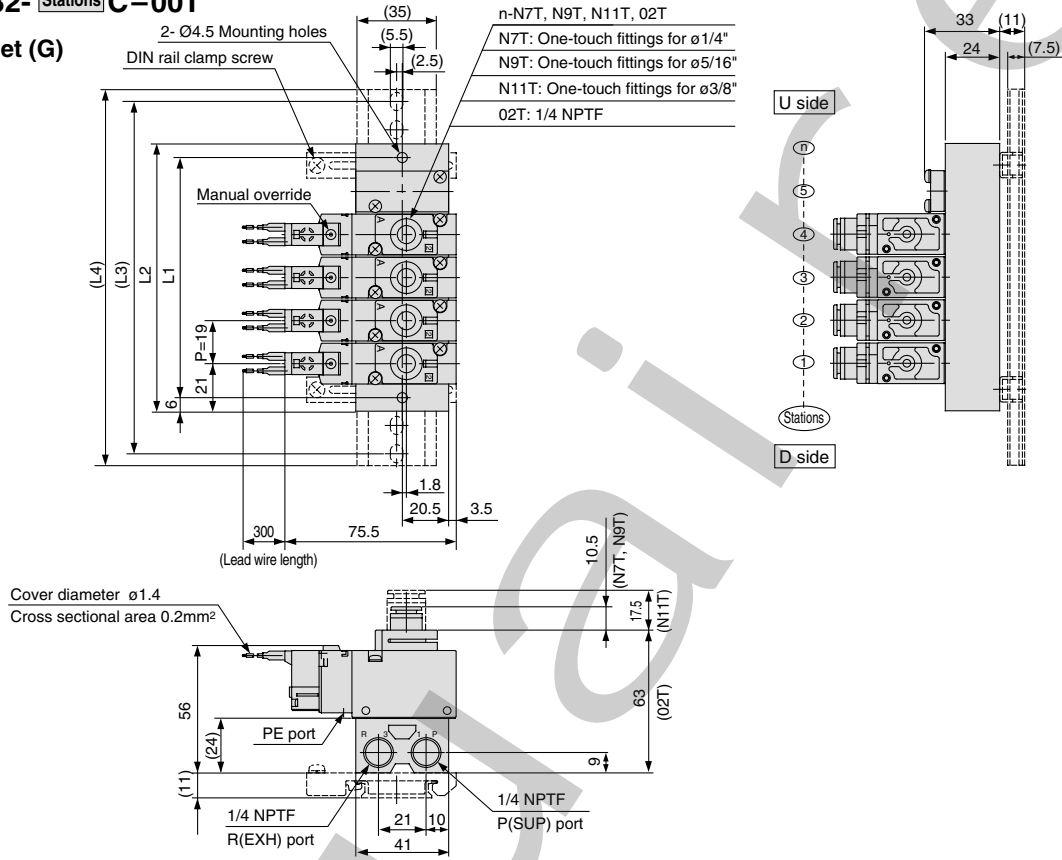
(mm)

Scale: 30%

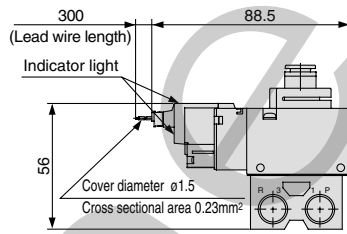
VQZ300

VV3QZ32- Stations C-00T

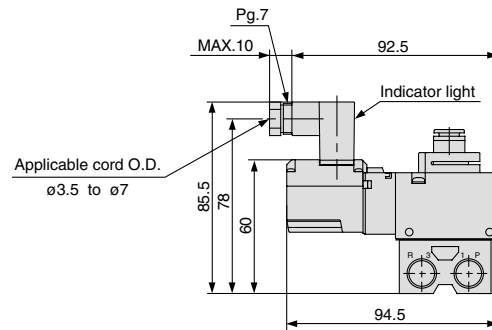
Grommet (G)



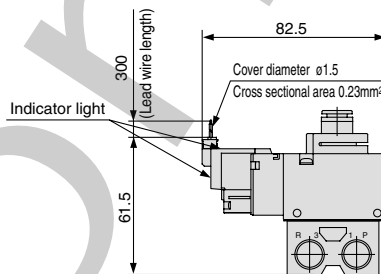
L type plug connector (L)



DIN connector (Y)



M type plug connector (M)



Dimensions

Equation L1=19n+11 L2=19n+23

n: Stations (Max. 20 stations)

L	n	2	3	4	5	6	7	8	9	10	11	12	13	14	15	16	17	18	19	20
L1	49	68	87	106	125	144	163	182	201	220	239	258	277	296	315	334	353	372	391	
L2	61	80	99	118	137	156	175	194	213	232	251	270	289	308	327	346	365	384	403	
L3	87.5	100	125	137.5	162.5	187.5	200	225	237.5	262.5	275	300	312.5	337.5	350	375	387.5	412.5	425	
L4	98	110.5	135.5	148	173	198	210.5	235.5	248	273	285.5	310.5	323	348	360.5	385.5	398	423	435.5	